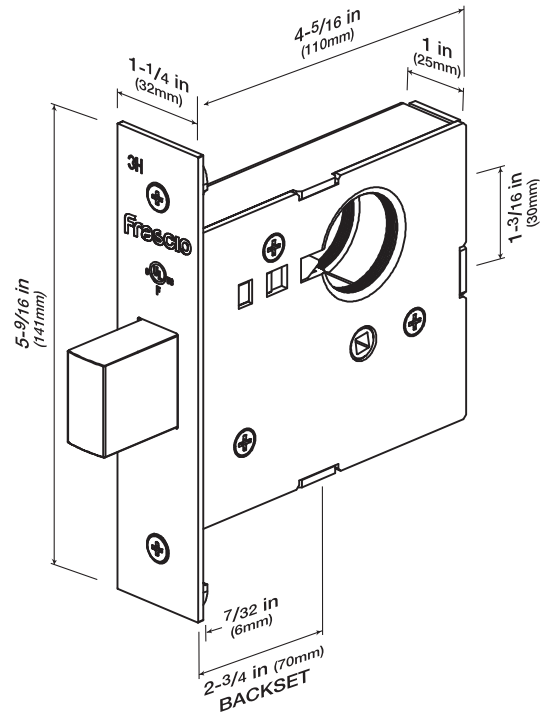


# Mortise Dead Lock

AUXILIARY LOCKS



**Specifications:**

**Certifications:** ANSI A156.5, Grade 1, UL Listed for 3-Hour fire rating  
**Door Thickness:** 1-3/4" to 2-1/2", thick door configurations available  
**Deadbolt:** 1" (25mm) Projection, stainless steel  
**Backset:** 2-3/4" (70mm)

Function Code	Lockcase Function	Illustration Inside ◀ ▶ Outside	Operation
MD1	CYLINDER x THUMBTURN		Deadbolt thrown or retracted by key outside or thumbturn inside.
MD2	CLASSROOM		Deadbolt thrown or retracted by key from outside. Inside thumbturn cylinder retracts deadbolt but cannot project it.
MD3	DOUBLE CYLINDER		Deadbolt operated by key from either side.
MD4	PRIVACY		Deadbolt thrown or retracted by thumbturn from one side. Coin release on other side.
MD5	CYLINDER LOCK		Deadbolt thrown or retracted by key from one side. No trim on other side.