



DPA4226

Straight, Round Finial Door Pull

PULLS

Standard Finishes:

- 625
- 626
- 613
- 612
- 605
- 606
- 609
- 619
- 622
- Consult factory for additional finish options



Material:

Brass

Ordering:

Specify CTC and overall length

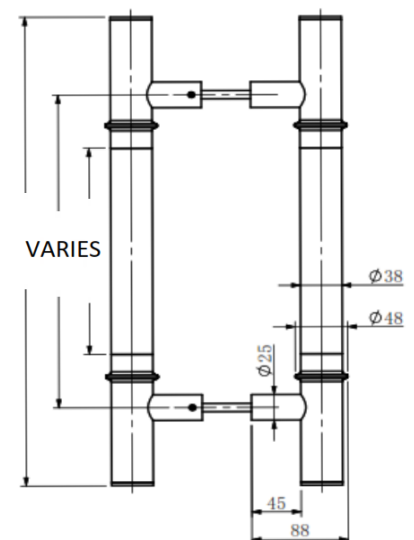
Additional Information:

Optional Mid Post: Suffix with "MP"

Maximum Length: 72"

Size Information:

- D: 1.5" (38mm)
- C: Per Project Specification
- H: 3.25" (83mm)
- L: Per Project Specification
- F: 1" (25mm)



Scan Here For
Frascio Architectural
Door Pull Catalog