



DPA1037

Offset, Round Door Pull

PULLS



Standard Finishes:

- 630
- 629
- 622
- 695

Optional Finishes:

- 605
- 606
- 609
- 619
- Consult factory for additional finish options

Material:

Stainless Steel, Brass

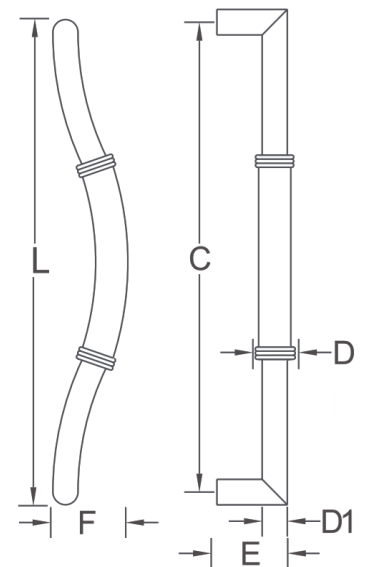
Ordering:

Specify CTC and overall length

Additional Information:

Size Information:

- D: 1.25" (32mm)
- D1: 1" (25mm)
- C: 18" (450mm)
- H: 2.75" (70mm)
- L: 20" (508mm)
- E: 2.95" (75mm)



Scan Here For



Frascio Architectural
Door Pull Catalog