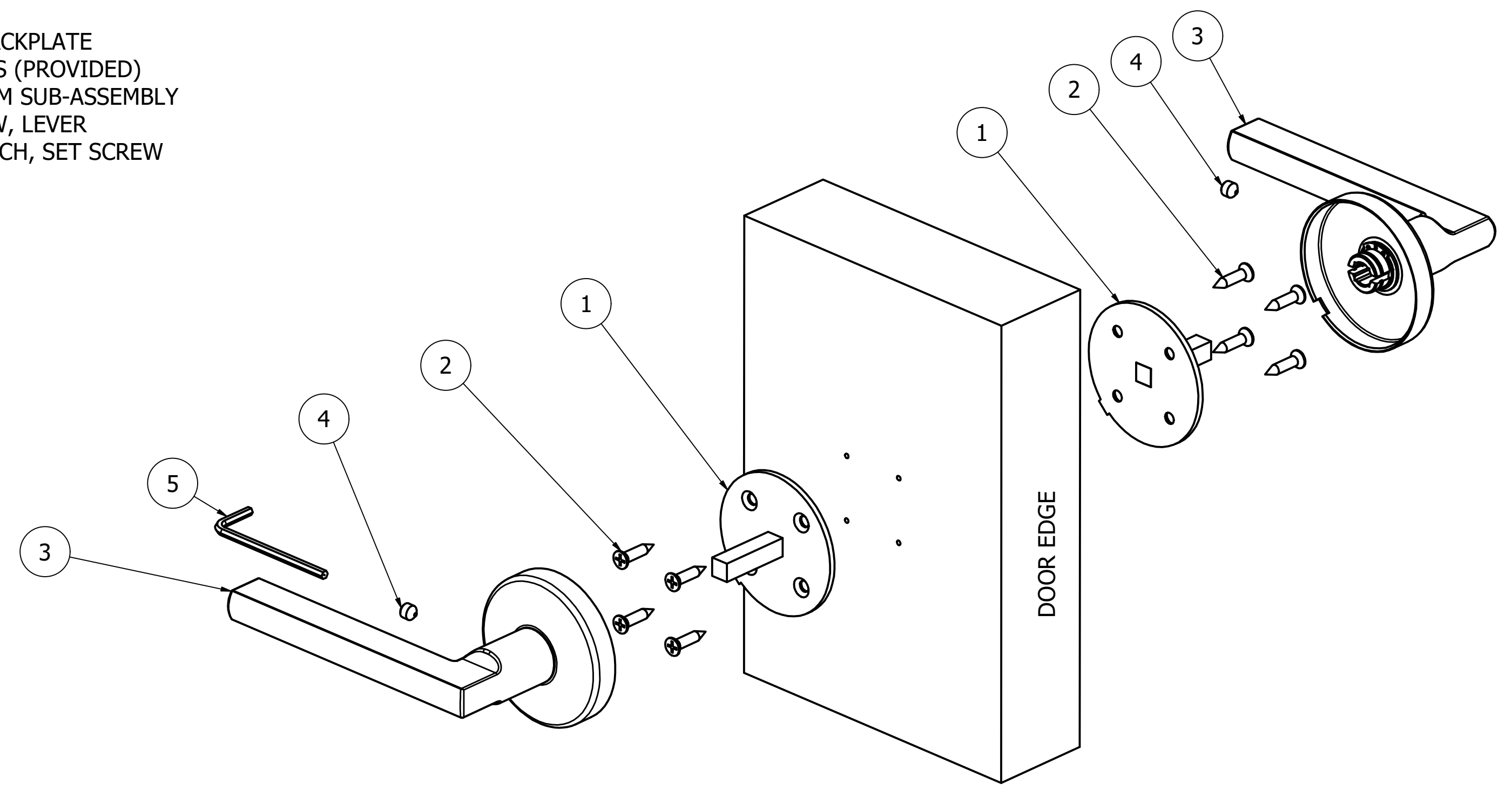


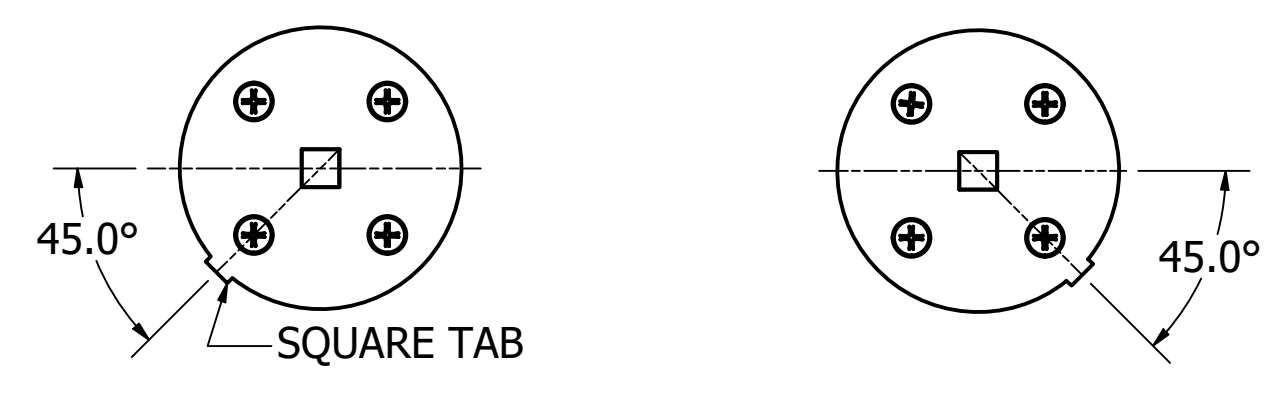
- PARTS LISTS:
 1) DUMMY BACKPLATE
 2) FASTENERS (PROVIDED)
 3) LEVER TRIM SUB-ASSEMBLY
 4) SET SCREW, LEVER
 5) HEX WRENCH, SET SCREW



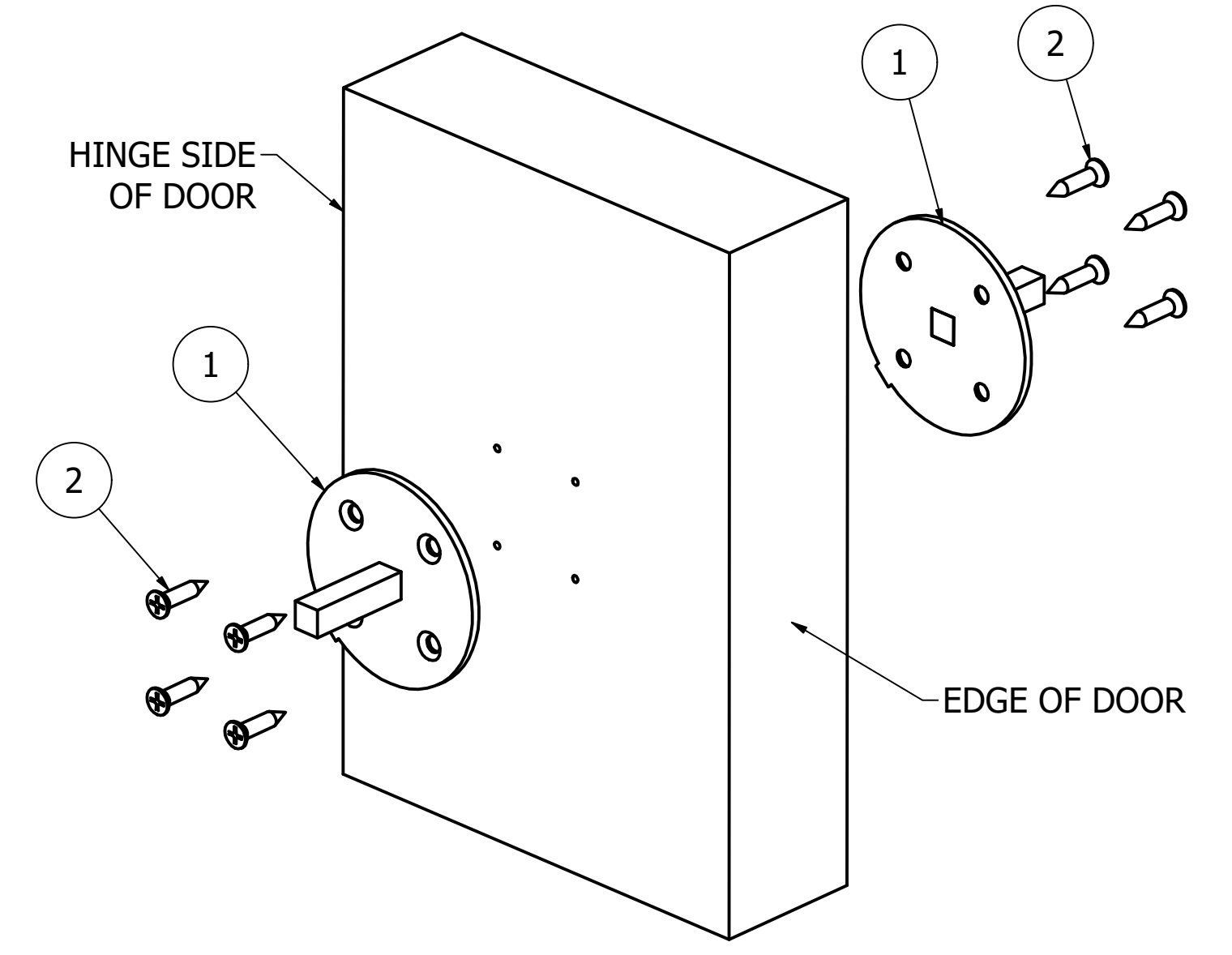
Description:
**T600 DUMMY DOOR INSTALLATION
 TEMPLATE**

TOLERANCES UNLESS OTHERWISE SPECIFIED: X.X (METRIC)= ±0.5 X.XX (METRIC)= ±0.15 0.00 (UNIFIED)= ±.015" 0.000 (UNIFIED)= ±.005"		Drawing No: IT-354	
Drawn By: JWB		Orig.Date 09-18-23	
Rev. Date:		Rev.:	

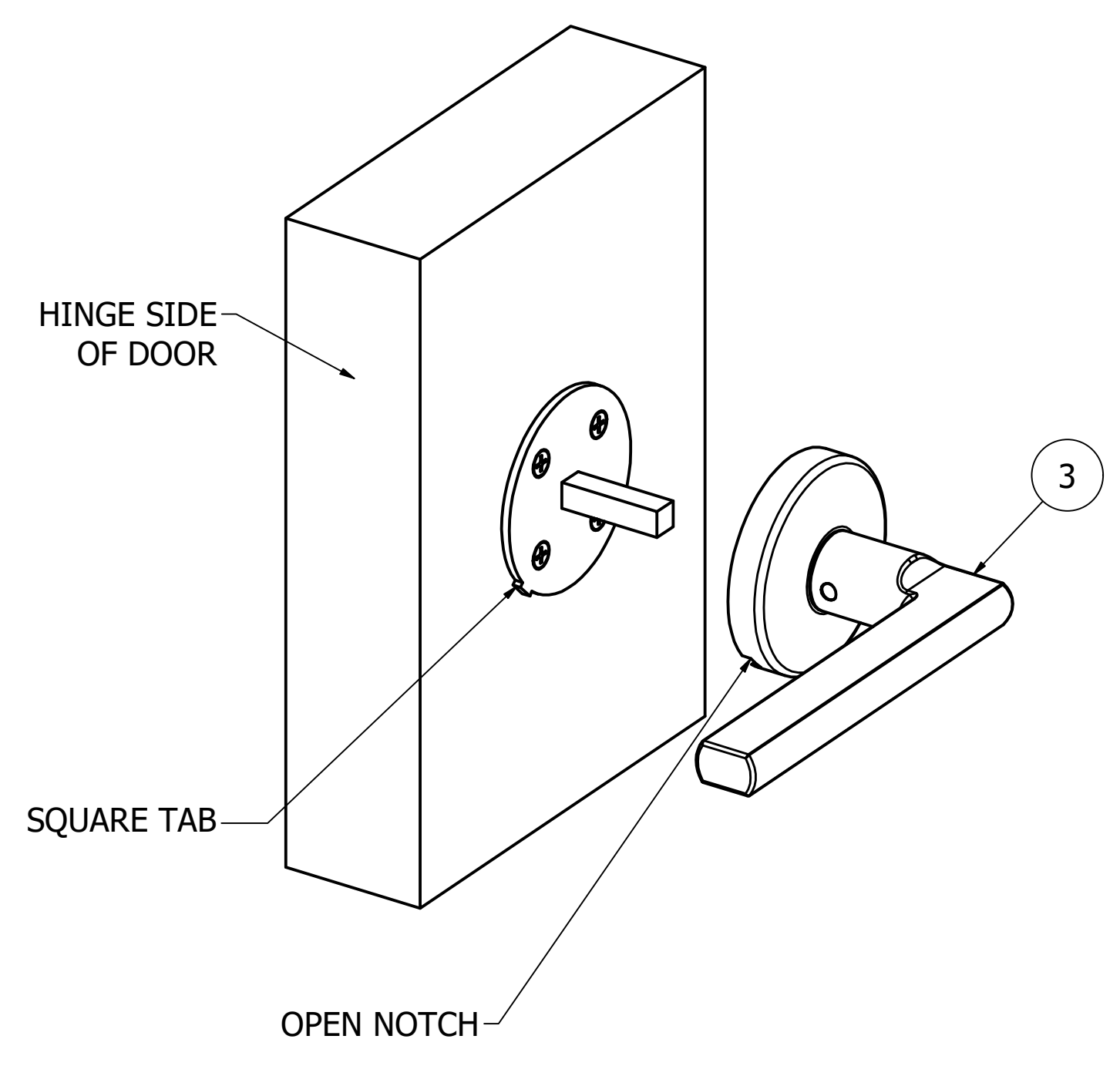
- STEP 1)
 A) PREPARE THE DOOR ACCORDING TO DP-354.
 B) PRIOR TO INSTALLING BACKPLATES ON THE DOOR, MAKE SURE THE SQUARE TAB ON THE DUMMY BACKPLATE IS POSITIONED AT 45° DOWNWARD TOWARDS THE HINGE SIDE OF DOOR.



- C) TAKE THE DUMMY BACKPLATE (1) AND POSITION IT ON THE DOOR AT THE CORRECT LOCATION OVER ONE OF THE PRE-DRILLED HOLES. THEN TAKE ONE OF THE FASTENERS AND INSERT INTO ONE OF THE PRE-DRILLED HOLES. DO NOT TIGHTEN ALL THE WAY.
 D) ROTATE THE BACKPLATE (1) INTO THE CORRECT POSITION AND THEN INSERT ANOTHER FASTENER INTO A PRE-DRILLED HOLE.
 E) CONTINUE INSERTING THE FASTENERS INTO THE PRE-DRILLED HOLES UNTIL ALL THE FASTENERS ARE INSTALLED.
 F) MAKE CERTAIN THAT THE SPINDLE IS "SQUARE" TO THE DOOR EDGE AND THEN TIGHTEN FASTENERS.



- STEP 2)
 A) PLACE A LEVER TRIM SET SUB-ASSEMBLY (3) OVER THE SPINDLE WITH THE LEVER AT THE HORIZONTAL POSITION.
 B) ROTATE AND ALIGN THE ROSE NOTCH WITH THE SQUARE TAB ON THE BACKPLATE.



- STEP 3)
 A. ONCE LEVER IS SEATED AGAINST SURFACE OF DOOR, TAKE LEVER SET SCREW (4) AND INSERT INTO THE LEVER.
 B. WHILE PUSHING THE TRIM SET AGAINST THE DOOR SURFACE FULLY SEAT THE SET SCREW WITH PROVIDED HEX WRENCH (5).
 C. REPEAT ON OTHER SIDE.

