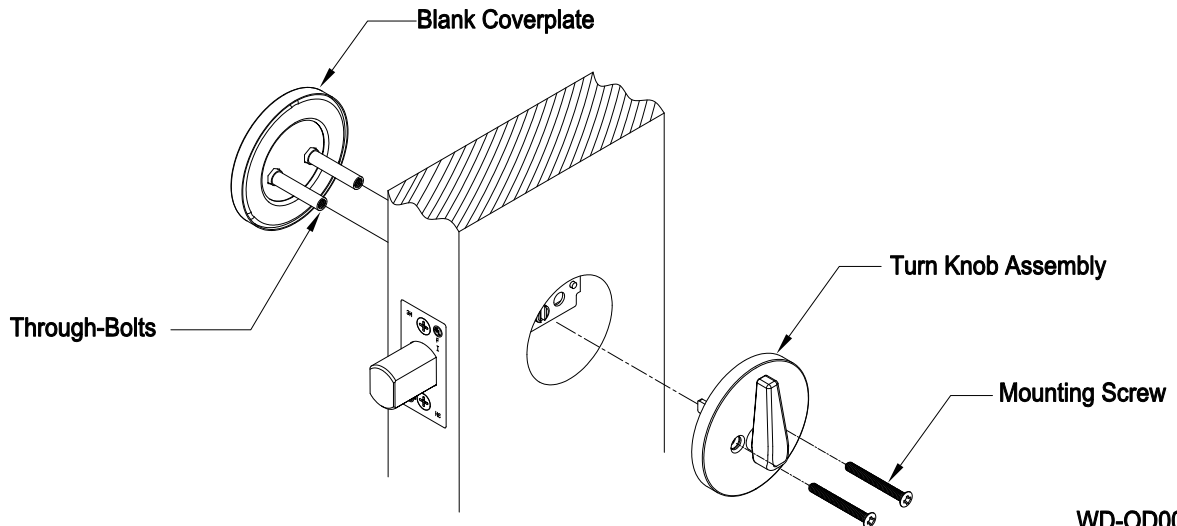


BLANK COVER DEADBOLT INSTALLATION INSTRUCTIONS

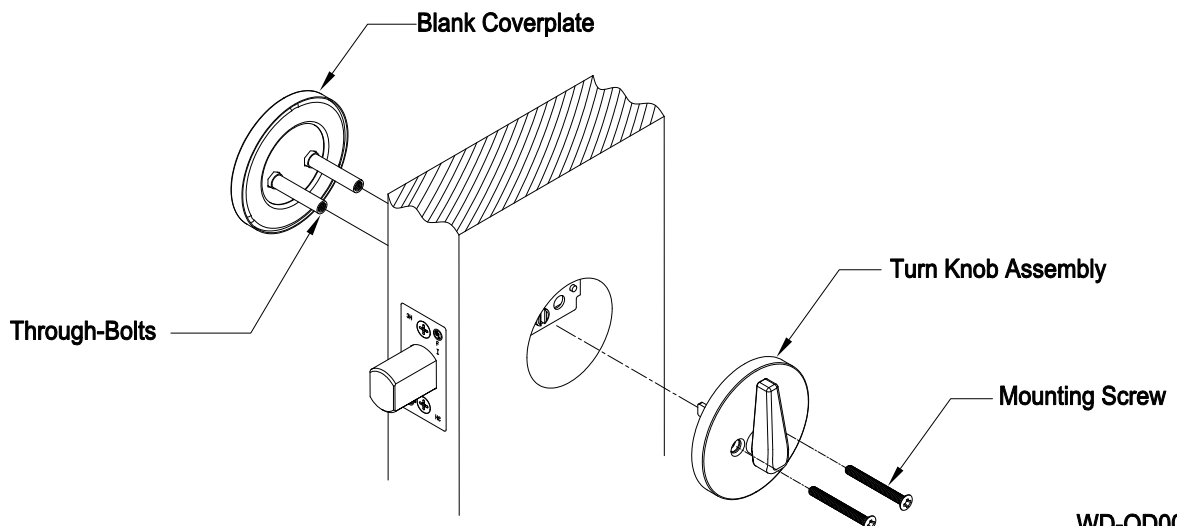
1. Extend the bolt with a screwdriver.
2. Install the blank coverplate with the through-bolts throw in the deadbolt.
3. Slide the turn knob assembly with the spindle in the vertical position and secure it to the door with mounting screws supplied.
4. Check to make sure that the deadbolt operates properly.



WD-OD002(389)

BLANK COVER DEADBOLT INSTALLATION INSTRUCTIONS

1. Extend the bolt with a screwdriver.
2. Install the blank coverplate with the through-bolts throw in the deadbolt.
3. Slide the turn knob assembly with the spindle in the vertical position and secure it to the door with mounting screws supplied.
4. Check to make sure that the deadbolt operates properly.



WD-OD002(389)