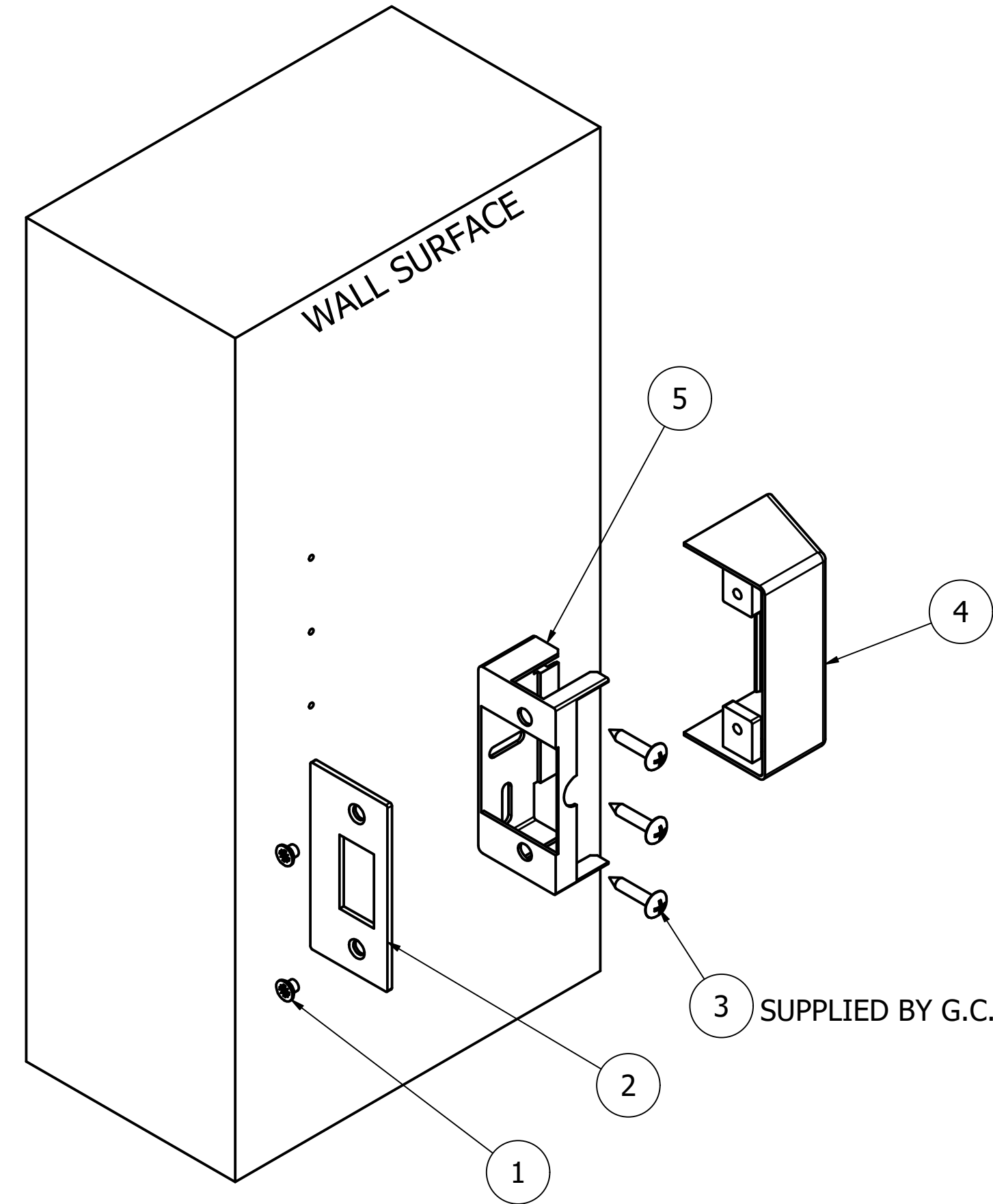


- PARTS LIST:**
- 1) FASTENERS, STRIKE PLATE
  - 2) STRIKE PLATE
  - 3) FASTENERS, MOUNTING BRACKET  
SUPPLIED BY GENERAL CONTRACTOR  
RECOMMENDED SIZE: #10 x 1.00" OVAL HEAD
  - 4) COVER, STRIKE BOX
  - 5) MOUNTING BRACKET

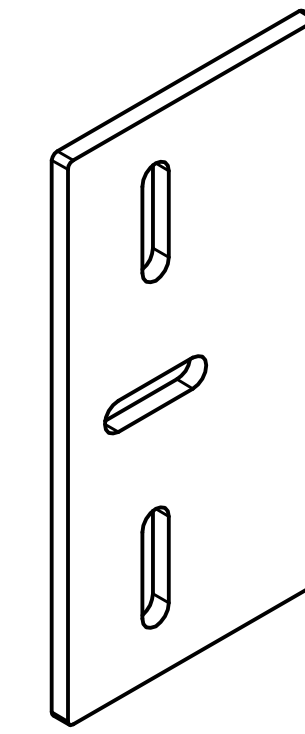


Description:  
**BDS-1 SLIDING DOOR WALL STRIKE  
 INSTALLATION INSTRUCTIONS**

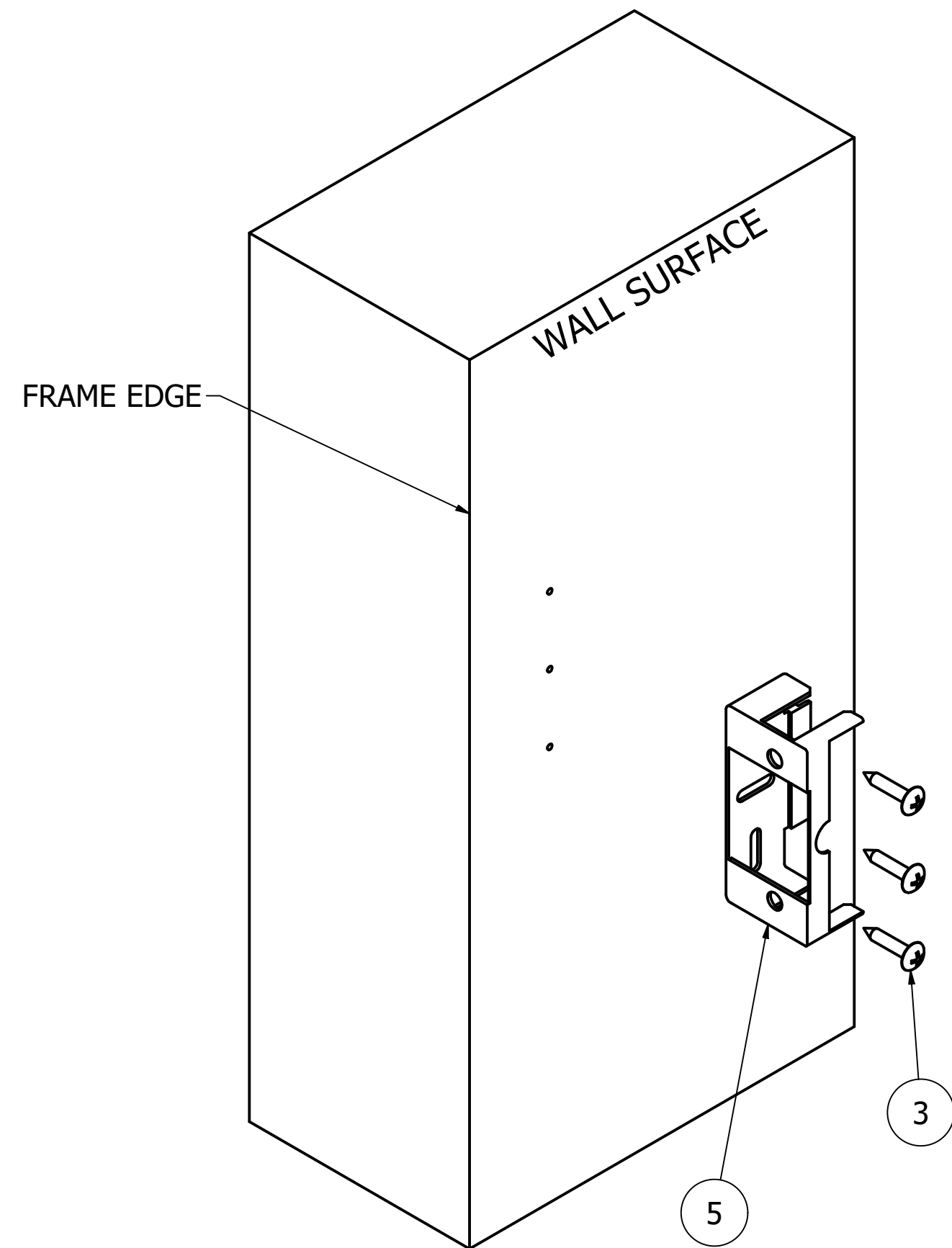


|   |                              |                              |
|---|------------------------------|------------------------------|
| TOLERANCES UNLESS OTHERWISE SPECIFIED:<br>X.X (METRIC)= ±0.5<br>X.XX (METRIC)= ±0.15<br>0.00" (UNIFIED)= ±.015"<br>0.000" (UNIFIED)= ±.005" | Drawing No:<br><b>IT-436</b> |                              |
|   | Drawn By:<br><b>JWB</b>      | Orig.Date<br><b>11-10-23</b> |
| Rev. Date:<br><b>03-20-25 JWB</b>   | Rev.:                        | <b>B</b>                     |

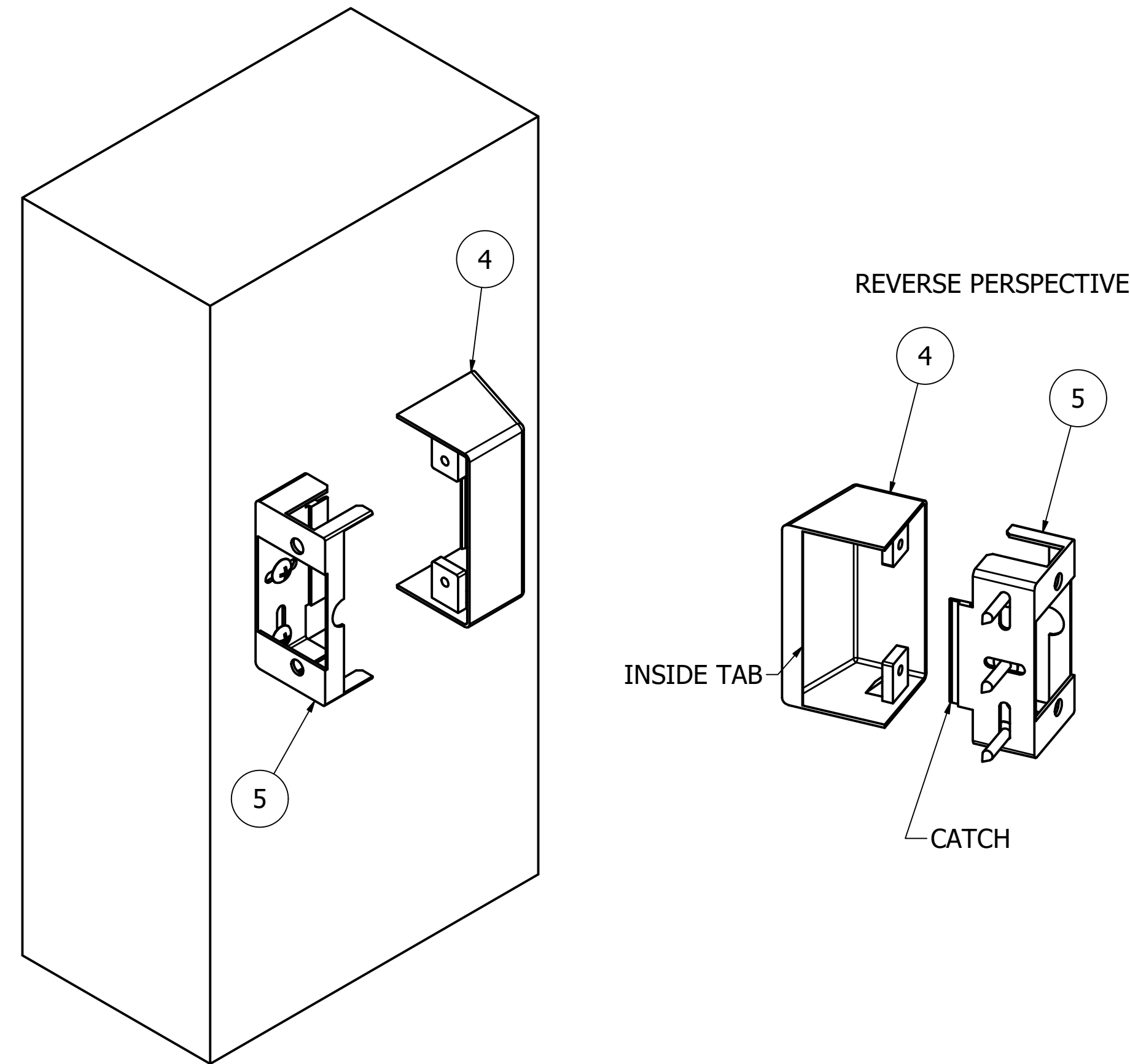
OPTIONAL ACCESSORY-BDS SHIM SPACER  
 SEE STEP 4  
 ITEM TO BE PURCHASED SEPARATELY, IF NEEDED



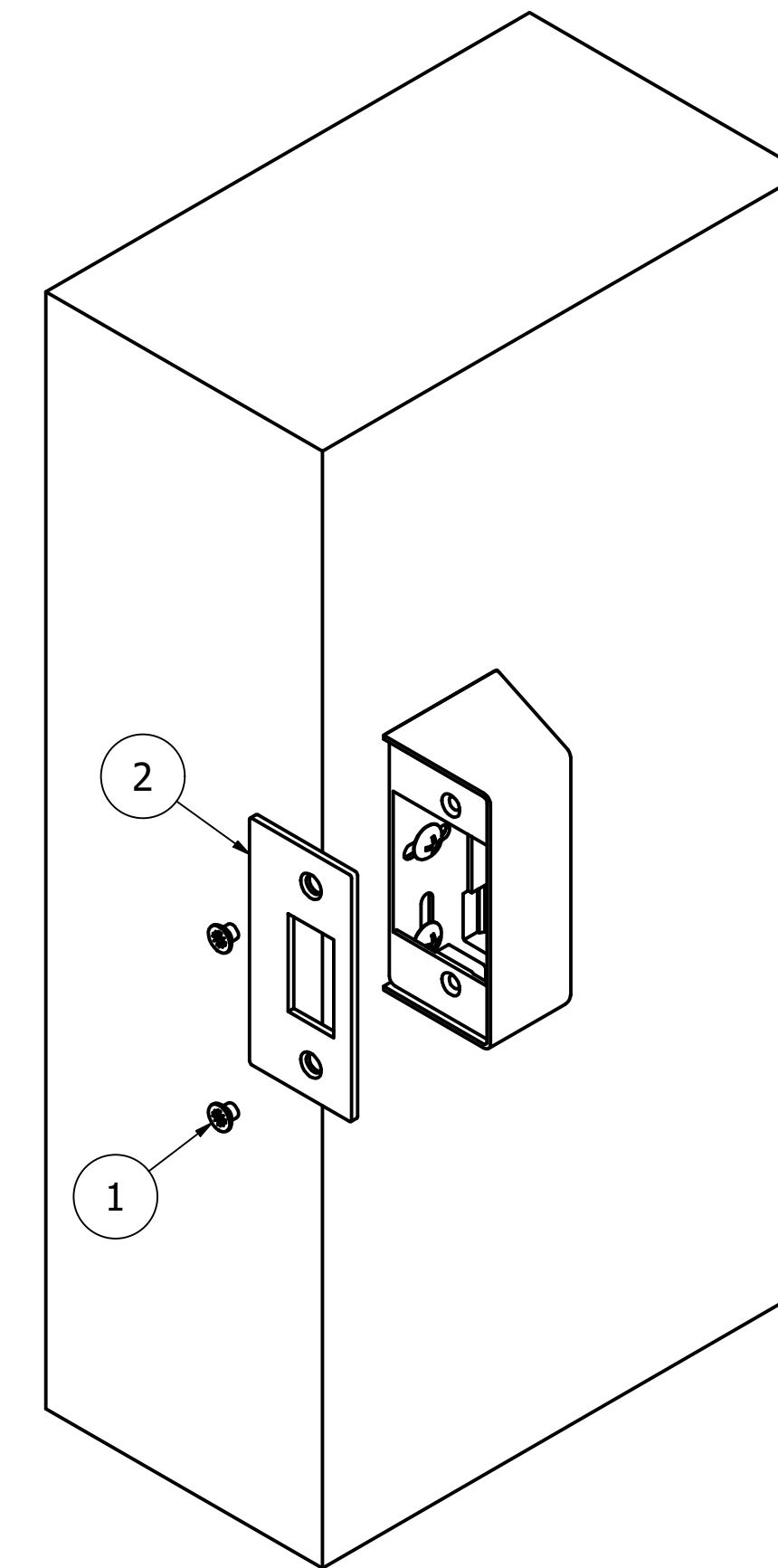
- STEP 1:**
- 1) PREPARE WALL SURFACE ACCORDING TO DP-436.
  - 2) POSITION MOUNTING BRACKET (5) OVER THE PRE-DRILLED HOLES.
  - 3) INSTALL THE 3X FASTENERS (3) INTO THE PRE-DRILLED HOLES--DO NOT TIGHTEN.
  - 4) MAKE SURE THE MOUNTING BRACKET (5) IS SQUARE TO THE FRAME EDGE AND THEN TIGHTEN THE FASTENERS (3).



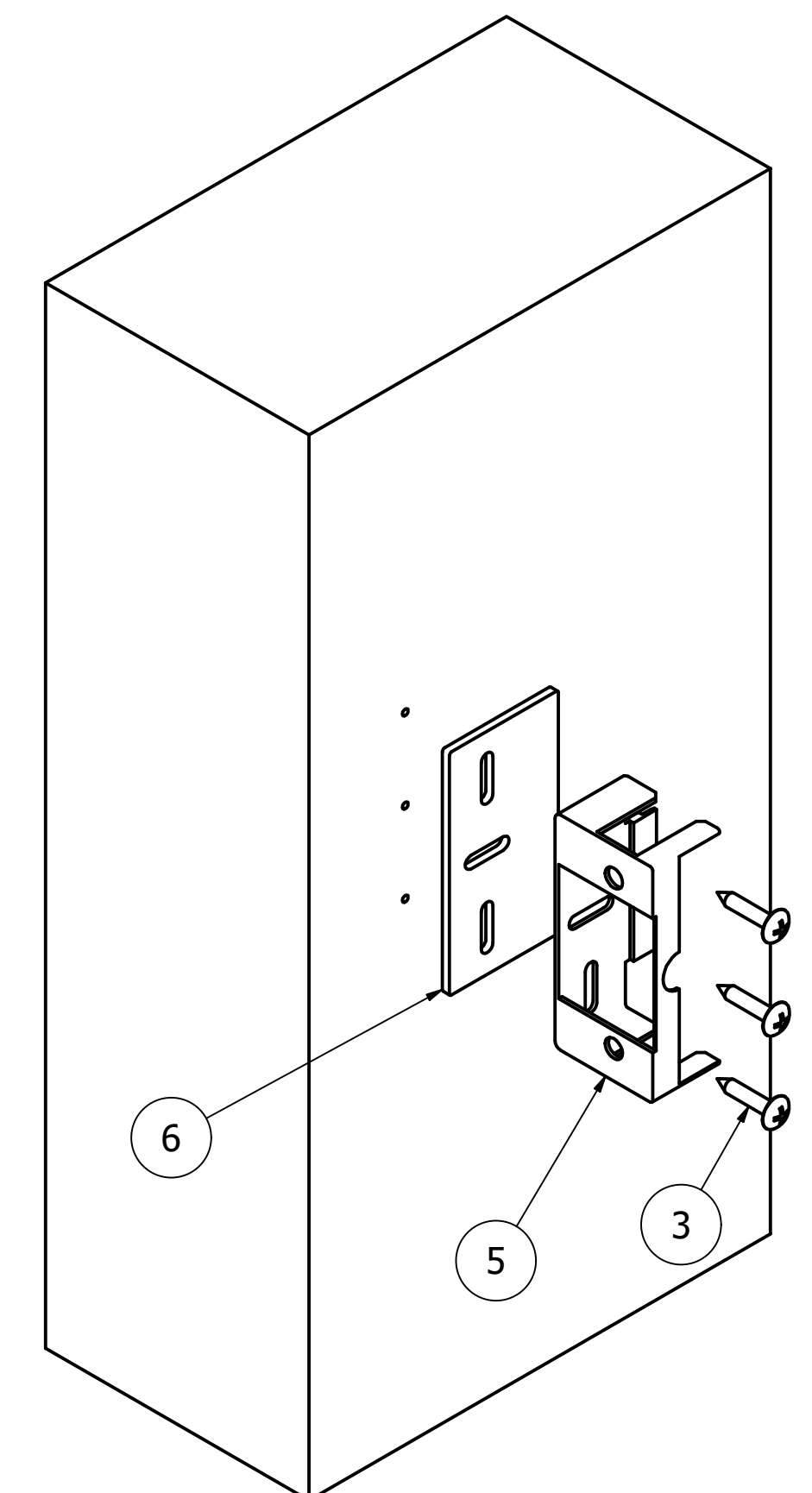
- STEP 2:**
- 1) LOCATE THE STRIKE BOX COVER (4) AND POSITION THE "INSIDE TAB" SO THAT IT ENGAGES ONTO THE BACK EDGE "CATCH" OF THE MOUNTING BRACKET.



- STEP 3:**
- 1) LOCATE THE STRIKE PLATE (2) AND 2X STRIKE PLATE FASTENERS (1).
  - 2) INSERT THE STRIKE PLATE INTO THE RECEIVING CAVITY.
  - 3) INSTALL THE 2X FASTENERS (1) AND TIGHTEN.
  - 4) CHECK FOR PROPER DOOR CLOSING OPERATION. LOCK SHOULD MATE FLUSH WITH THE STRIKE SURFACE AND OPERATE AS INTENDED.



- SHIM SPACER**  
**STEP 4: (OPTIONAL ACCESSORY-IF NEEDED)**
- 1) IF THE LOCK BOLT DOESN'T ENGAGE THE STRIKE OPENING CORRECTLY DUE TO THE DOOR PROJECTION FROM WALL, IT MAY BE NECESSARY TO PURCHASE SHIM SPACER\*. MULTIPLE PLATES MAY BE NECESSARY.
  - 2) TO INSTALL, GO BACK TO STEP 1 AND POSITION THE SHIM PLATE (6) BETWEEN THE BRACKET (5) AND THE WALL.
  - 3) CONTINUE FOLLOWING THE NEXT STEPS 2 AND 3.



\*SHIM PLATES ARE 3mm THICK (1/8")