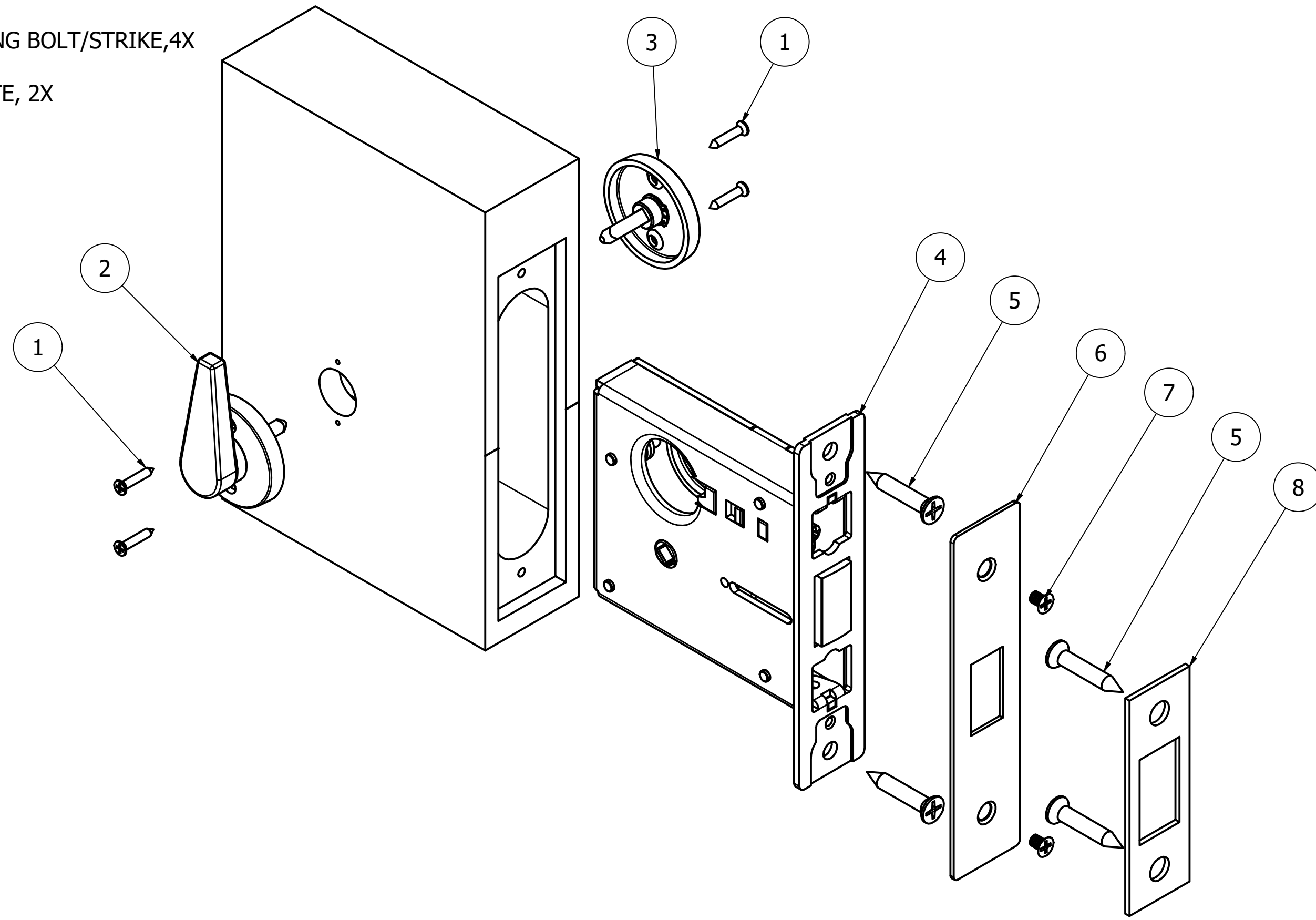
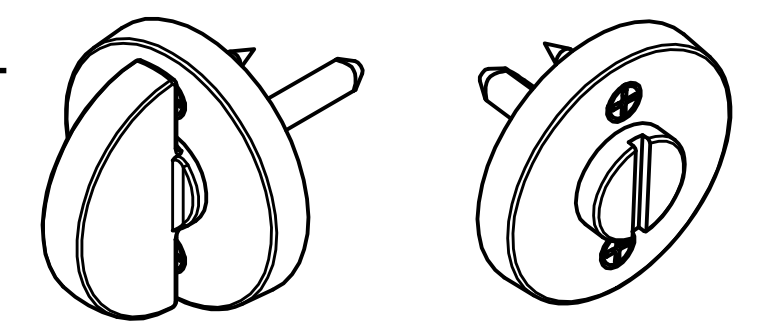


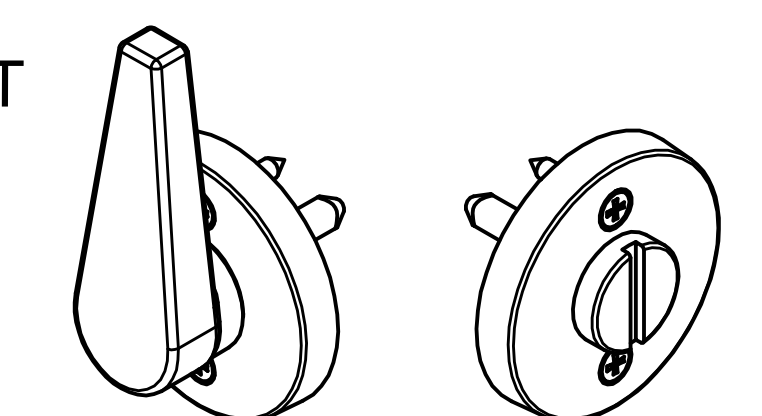
- TRIM LIST:
 1) FASTENERS, INSIDE TRIM, 4X
 2) TRIM, INSIDE
 3) OUTSIDE TRIM: EMT, EMERGENCY TURN
 4) SL2 EXPANDING BOLT
 5) FASTENERS, EXPANDING BOLT/STRIKE, 4X
 6) FACEPLATE
 7) FASTENERS, FACEPLATE, 2X
 8) STRIKE PLATE



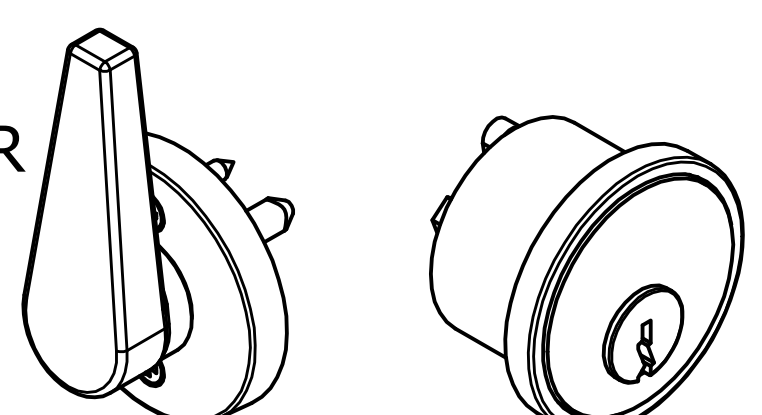
M61 x EMT



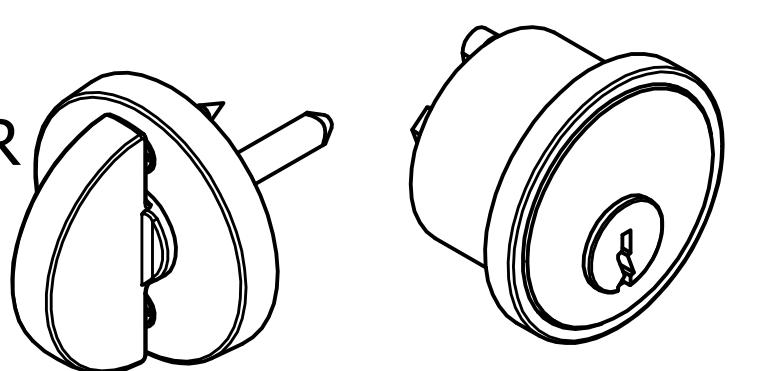
R71 x EMT



R71 x CYLINDER



M61 x CYLINDER

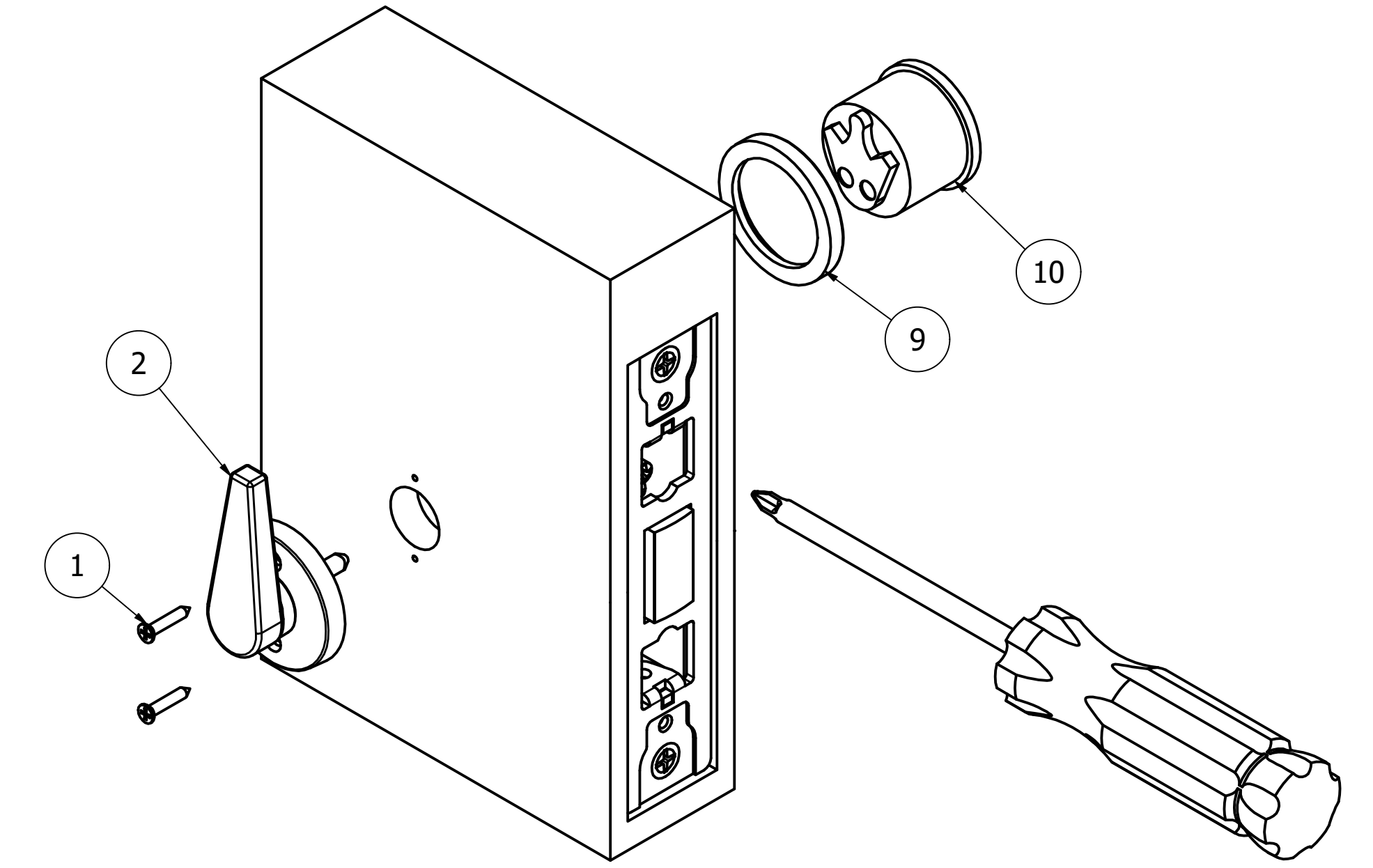


Description:
SL2 EXPANDING BOLT INSTALLATION INSTRUCTIONS

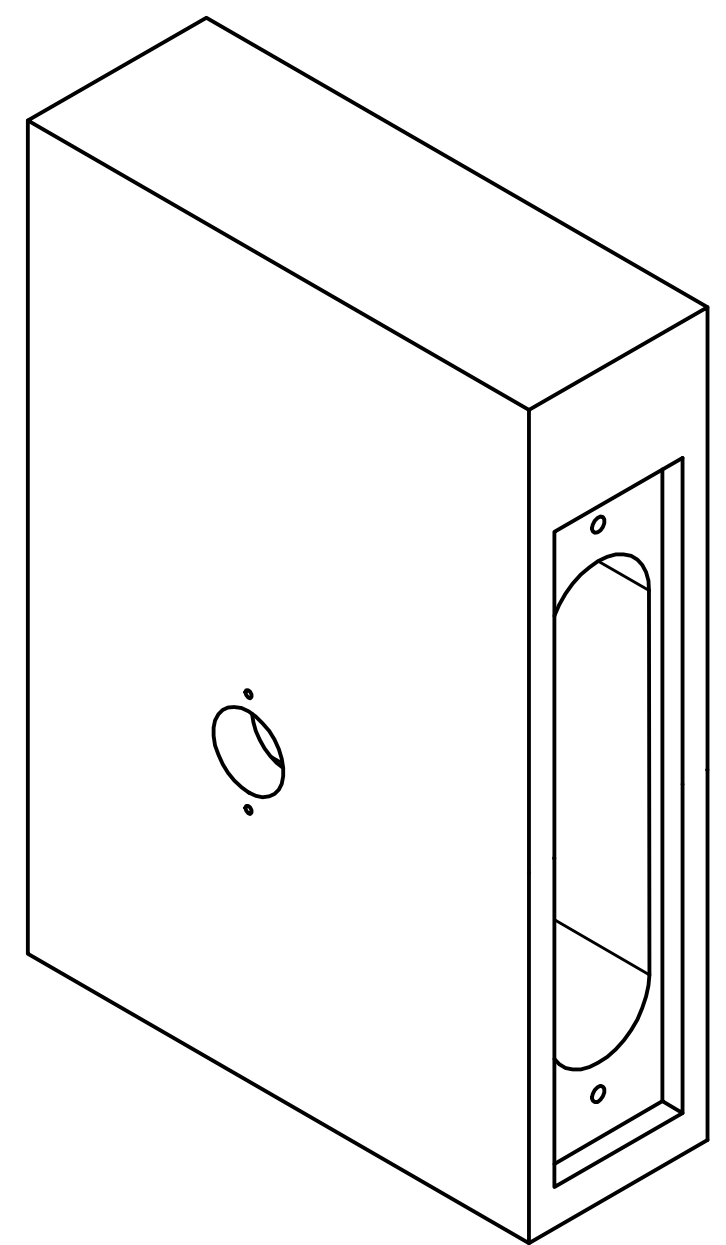


TOLERANCES UNLESS OTHERWISE SPECIFIED: X.X (METRIC)= ±0.5 X.XX (METRIC)= ±0.15 0.00 (UNIFIED)= ±.015" 0.000 (UNIFIED)= ±.005"		Drawing No: IT-384	
Drawn By: JWB		Orig.Date 07-15-22	
Rev. Date:		Rev.:	

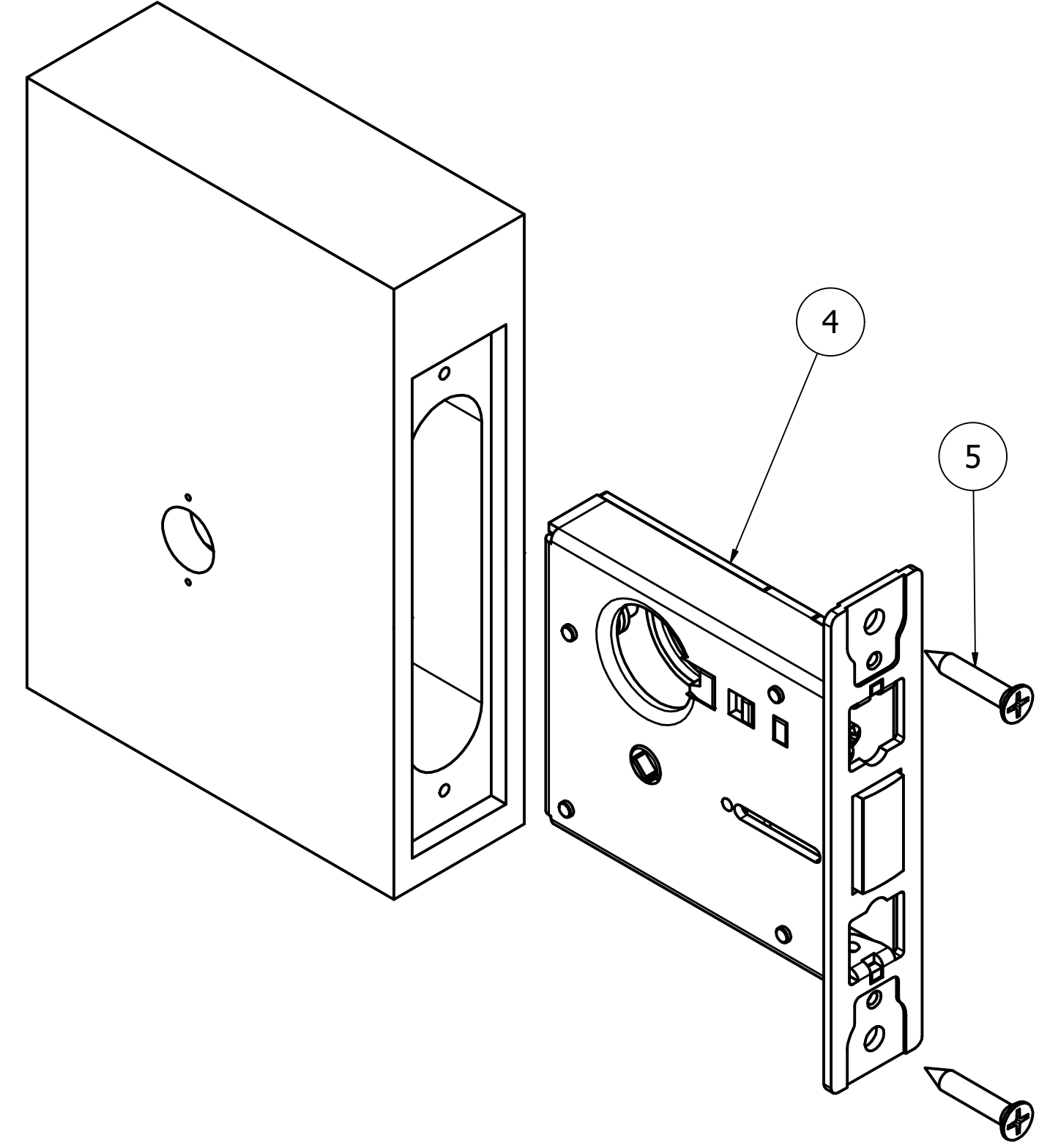
- STEP 4) FOR TRIM SETS R71 x CYLINDER OR M61 x CYLINDER:
 A. INSERT R71 OR M61 INSIDE TRIM ONTO DOOR.
 B. POSITION ROSETTE FASTENER HOLES IN THE VERTICAL POSITION.
 C. MARK HOLES WITH POINTED OBJECT OR MARKER--MAKE CERTAIN THAT BOTH HOLES ARE ACCURATELY MARKED.
 D. REMOVE TRIM AND DRILL WITH APPROPRIATE DRILL BIT SIZE.
 E. ONCE DRILLED, RE-INSTALL THE INSIDE R71 OR M61 TRIM SET.
 F. INSTALL 2X FASTENERS.
 G. INSERT THE CYLINDER RING OVER THE CYLINDER AND THREAD INTO THE RECEIVING THREADED HOLE ON SIDE OF LOCK CASE.
 H. INSERT UNTIL CYLINDER WILL NOT LONGER ROTATE. IF NEEDED, ROTATE CYLINDER COUNTER CLOCK WISE UNTIL THE CYLINDER IS ALIGNED CORRECTLY.
 I. FROM THE EDGE OF THE LOCK CASE, USE A SCREW DRIVER TO SECURELY FASTEN THE CYLINDER FROM ROTATING ONCE INSTALLED.



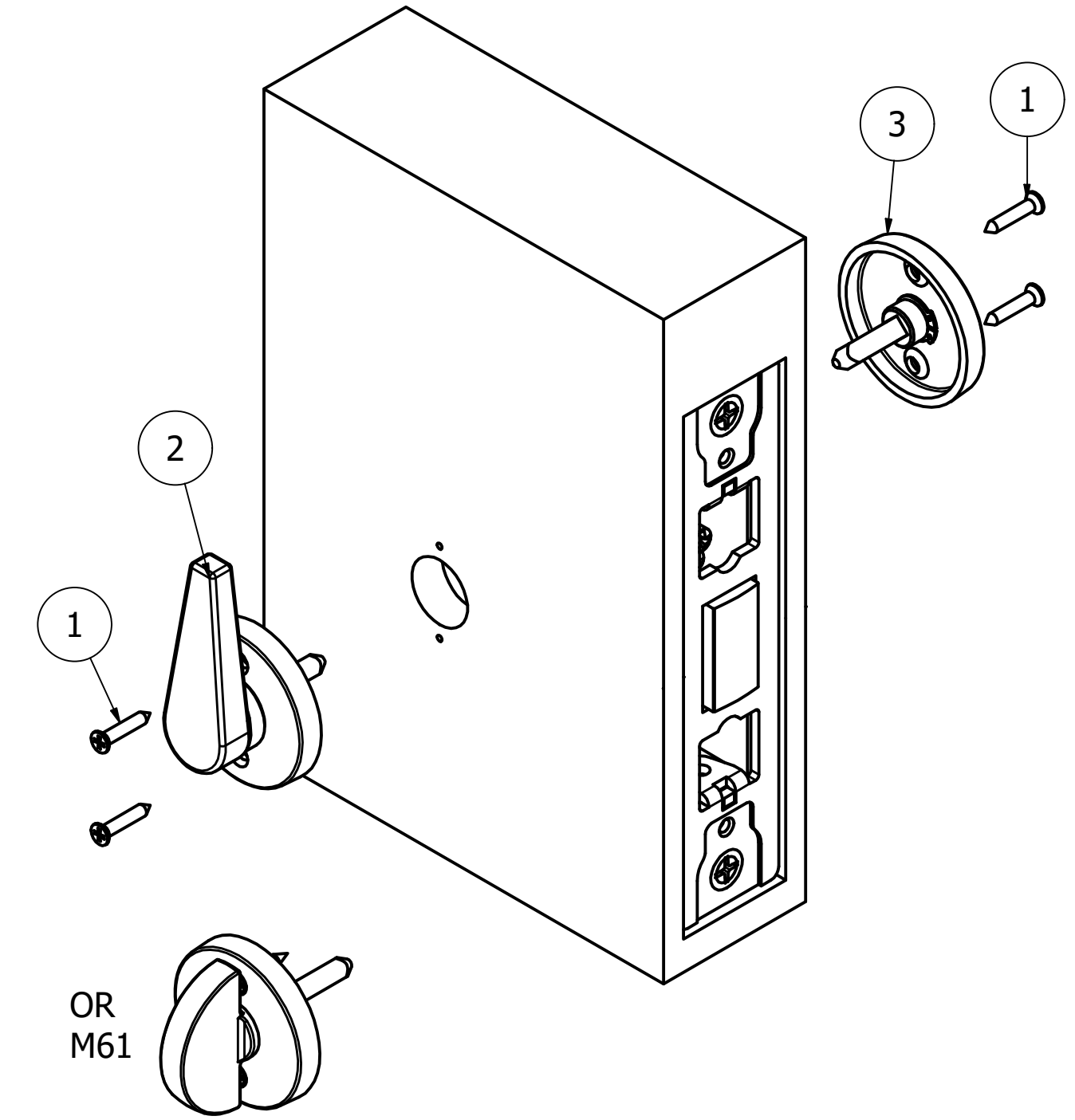
- STEP 1)
 A. PREPARE DOOR ACCORDING TO SPECIFIC TRIM:
 DP-384, R71 x EMT or M61 x EMT
 DP-401, R71 x CYL or M61 x CYL
 DP-402, CYL x CYL



- STEP 2)
 A. INSERT SL2 LOCK BODY "4" INTO DOOR PREP.
 B. INSERT 2X FASTENERS "5" TO RETAIN SL2 LOCK BODY.



- STEP 3) FOR TRIM SETS R71 x EMT OR M61 x EMT:
 A. INSERT R71 OR M61 "2" INSIDE TRIM ONTO DOOR.
 B. POSITION ROSETTE FASTENER HOLES IN THE VERTICAL POSITION.
 C. MARK HOLES WITH POINTED OBJECT OR MARKER--MAKE CERTAIN THAT BOTH HOLES ARE ACCURATELY MARKED. YOU MAY HAVE TO THROW THE DEADBOLT TO ACCESS THE MOUNTING HOLES.
 D. REMOVE TRIM AND DRILL WITH APPROPRIATE DRILL BIT SIZE.
 E. ONCE DRILLED, RE-INSTALL THE INSIDE R71 OR M61 TRIM SET.
 F. INSTALL "1" 2X FASTENERS.
 G. REPEAT FOR EMT "3" OUTSIDE TRIM.



- STEP 5)
 A. INSTALL FACE PLATE "6" WITH 2X FACEPLATE FASTENERS "7".
 B. CHECK FOR NORMAL OPERATION.

