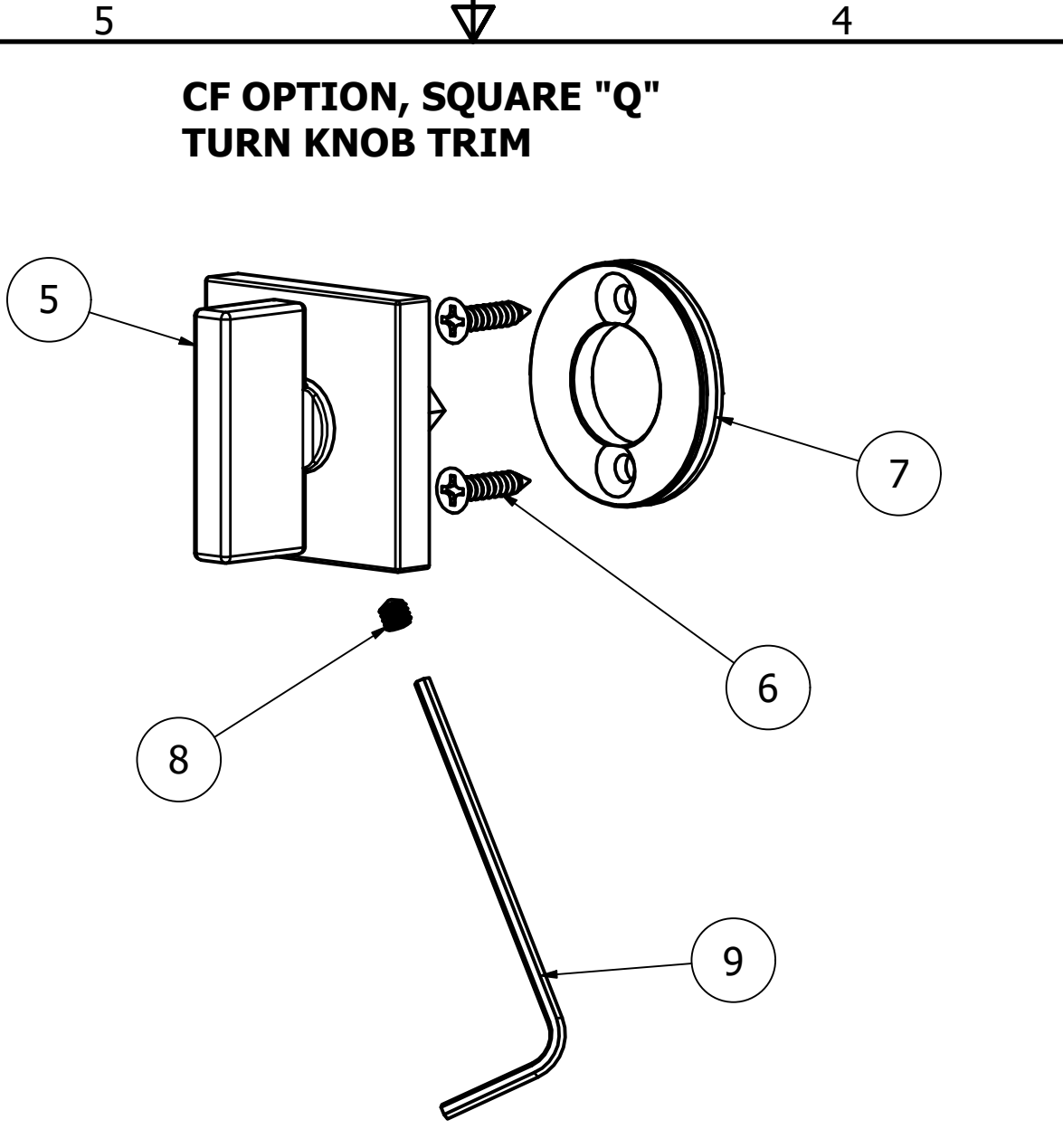


CF OPTION, ROUND TURN KNOB TRIM



CF OPTION, SQUARE "Q" TURN KNOB TRIM

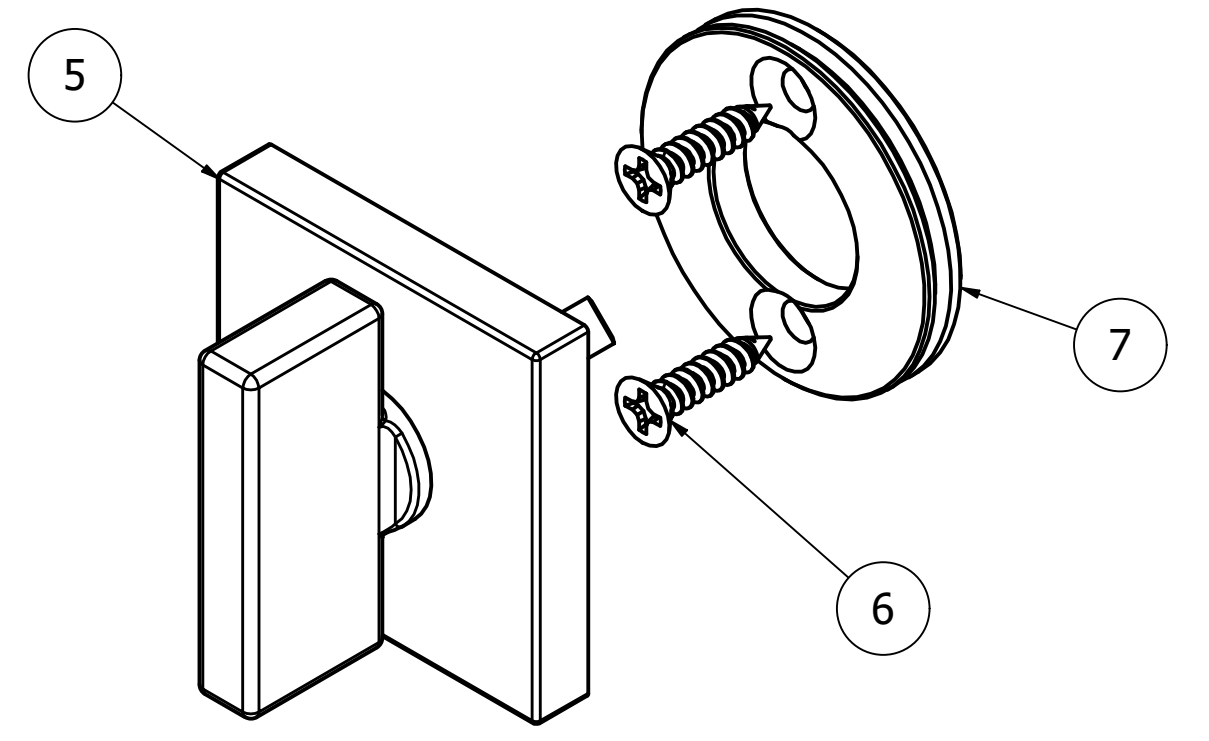
Description:
**CF OPTION TURN KNOB INSTALLATION
 CONCEALED FASTENER SYSTEM**



TOLERANCES UNLESS OTHERWISE SPECIFIED: X.X (METRIC) = ±0.5 X.XX (METRIC) = ±0.15 0.00" (UNIFIED) = ±.015" 0.000" (UNIFIED) = ±.005"		Drawing No: IT-379	
Rev. Date:		Drawn By: JWB	Orig. Date: 07-24-25
		Rev.:	

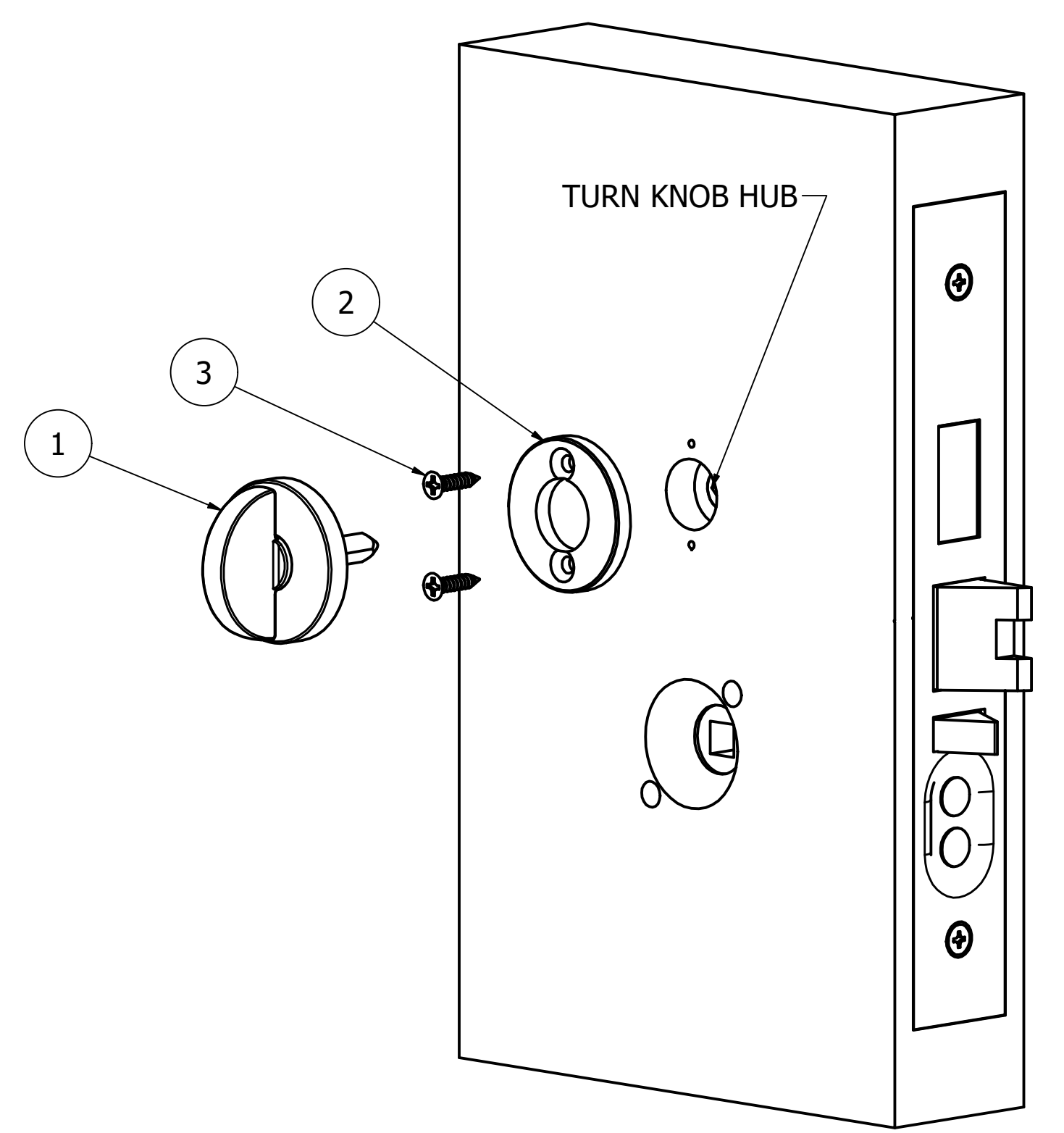
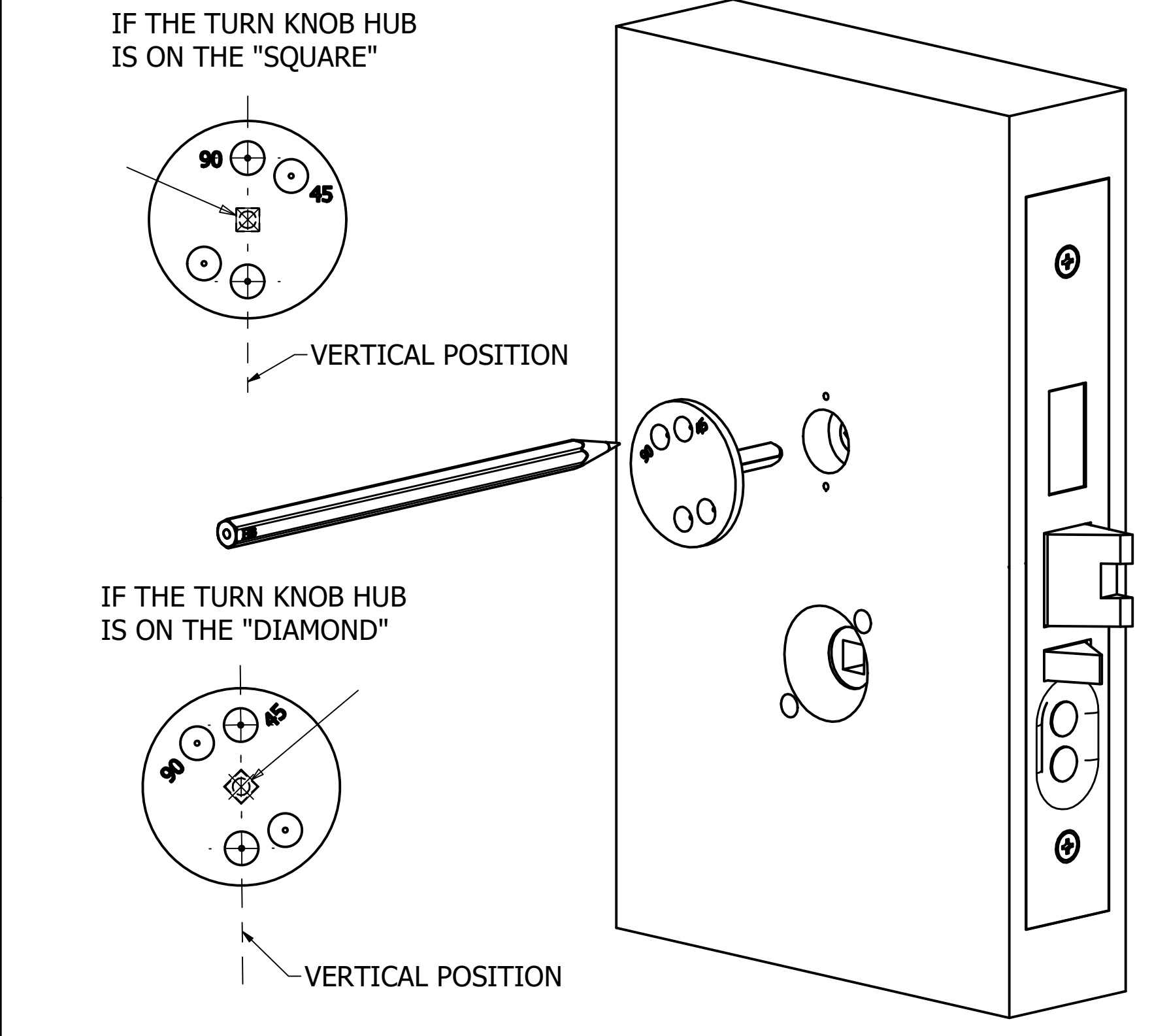
RM61Q-CF SQUARE ROSETTE CONCEALED FASTENER INSTALLATION:

- 1) FOLLOW STEPS 1 AND 2 WITH THE EXCEPTION OF USING THE CONCEALED FASTENER SQUARE TURN KNOB TRIM SUB-ASSY ITEMS "5", "6", AND "7".
- 2) INSTALL ITEM "7" MOUNTING PLATE TO THE DOOR FACE USING THE CORRECTLY MARKED HOLES AND ITEM "6" FASTENERS.
- 3) ONCE THE MOUNTING PLATE IS INSTALLED, ALIGN THE TURN KNOB IN THE VERTICAL POSITION AND INSERT INTO THE TURN KNOB SPINDLE HOLE AND OVER THE "5" MOUNTING BASE.



- STEP 1:**
- INSTALL MORTISE LOCK IN THE DOOR EDGE CAVITY.
 - POSITION THE GA-3309 DRILL GUIDE "4" OVER THE TURN KNOB HUB.
 - ROTATE AND ORIENT THE DRILL GUIDE SO THAT THE HOLES ARE IN A VERTICAL POSITION, 12-6 O'CLOCK ORIENTATION.
 - PUSH THE JIG "4" UP AGAINST THE DOOR SURFACE, THEN CAREFULLY INSERT A ULTRA FINE POINT PEN OR PENCIL AND MARK THE DOOR.
 - REMOVE THE DRILL JIG AND DRILL THE 2X HOLES USING A .063 (1/16") DRILL BIT. BE CAREFUL TO NOT DRILL INTO THE MORTISE CASE.

- STEP 2:**
- POSITION THE MOUNTING PLATE "2" OVER THE TURN KNOB CLEARANCE HOLE. (NOTE: FOR SQUARE CONCEALED TRIM USE ITEM "7" MOUNTING PLATE)
 - ALIGN THE FASTENER HOLES IN THE MOUNTING PLATE WITH THE 2X SMALL PREP HOLES.
 - INSERT THE 2X FASTENERS "3" AND SECURE THE MOUNTING BASE TO THE DOOR SURFACE.
 - ALIGN THE TURN KNOB TRIM AND SPINDLE "1" TO THE CORRECT POSITION AND INSERT INTO THE TURN KNOB HUB.
 - CAREFULLY THREAD ON THE TRIM ROSETTE ONTO THE THREADED MOUNTING BASE.
 - CHECK FOR NORMAL DEADBOLT OPERATION, THEN FIRMLY HAND TIGHTEN THE ROSETTE.



- 4) WHILE HOLDING THE TRIM SQUARE TO THE DOOR EDGE, USE THE PROVIDED HEX WRENCH "9" AND TIGHTEN THE SET SCREW "8" TO PREVENT THE TRIM FROM BEING REMOVED.
- 5) OPERATE TURN KNOB TO CHECK FOR NORMAL DEADBOLT OPERATION.

