

# 1912 ROSE, RESIDENTIAL SERIES TUBULAR LATCHSET INSTALLATION INSTRUCTIONS

IT-326

- A) R-SERIES LATCH KIT COMPONENTS
- B) LEVER/ROSE TRIM
- C) BACKPLATE-OUTSIDE HALF 1917
- D) BACKPLATE-INSIDE HALF 1917
- E) SWIVEL SPINDLE
- F) RETAINER CLIP
- G) MOUNTING SCREWS-BACKPLATE
- H) LEVER SET SCREWS (2)  
AND M3 HEX WRENCH
- J) LATCH GUIDE
- K) PRIVACY PIN, IF APPLICABLE  
(NOT SHOWN)

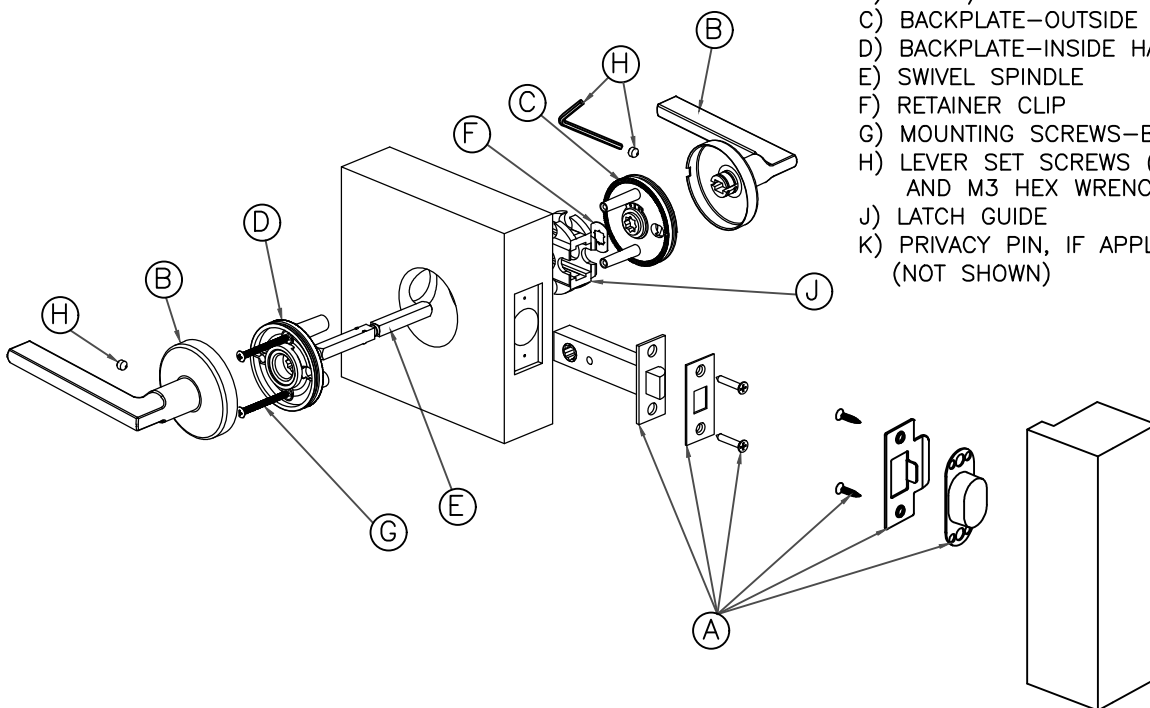


FIG. 1

FIG. 2

**STEP 1)**

- A. THE DOOR SHOULD BE PREPARED USING THE TUBULAR LATCH DOOR TEMPLATE, DP-161.
- B. POSITION CORRECTLY AND INSERT THE LATCH GUIDE "J" INTO THE DOOR SURFACE BORE (2-1/8").
- C. INSERT THE LATCH "A1" INTO THE EDGE BORE, MAKING SURE THE BOLT IS IN THE CORRECT POSITION DEPENDING ON THE DOOR HANDING.
- D. INSERT THE FACEPLATE "A2" OVER THE LATCH BOLT AND SECURE WITH (2) SCREWS "A3".

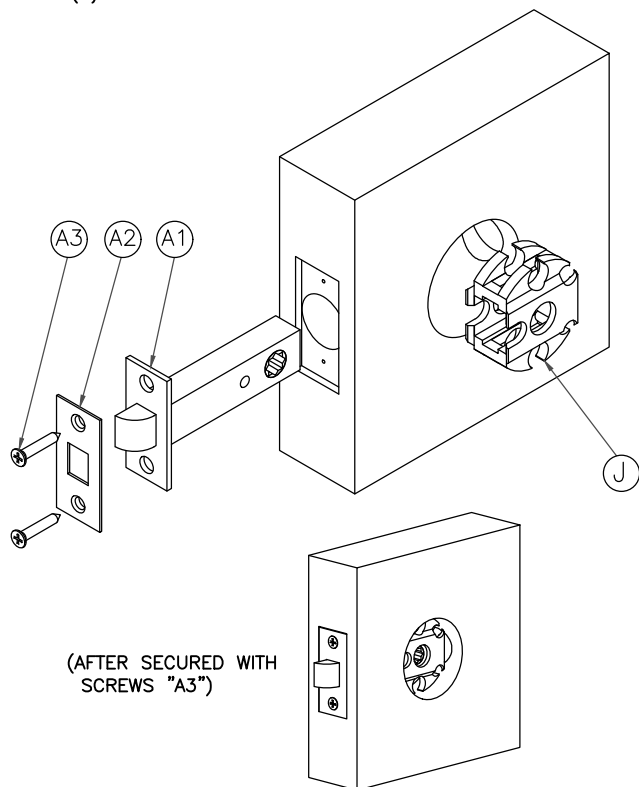
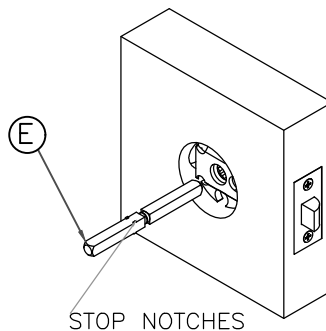


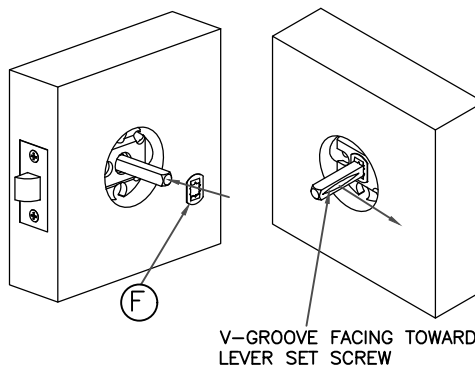
FIG. 3

**STEP 1)**

- A. POSITION THE SPINDLE "E" WITH THE V-GROOVES FACING TOWARD THE LEVER SET SCREW (AWAY FROM DOOR EDGE, CHECK HOLE LOCATION ON EACH LEVER). INSERT SPINDLE INTO THE LATCH UNTIL THE STOP NOTCHES SEAT AGAINST THE LATCH.



- B. WHILE HOLDING THE SPINDLE FIRMLY, INSERT SPINDLE CLIP "F" OVER THE SPINDLE AND PUSH DOWN UNTIL IT MEETS THE SURFACE OF THE LATCH GUIDE.



frascio

REVISED:  
IT-326, PAGE 1

FIG. 4

- STEP 1)
- POSITION THE INSIDE BACKPLATE "E" OVER THE SPINDLE "D" MAKING SURE THE PRIVACY PIN CLEARANCE HOLE IS ALIGNED WITH THE PRIVACY PIN ON THE LATCH, IF APPLICABLE, AND PUSH UP TO SURFACE OF THE DOOR.
  - POSITION THE OUTSIDE BACKPLATE "C" OVER THE SPINDLE "D" AGAIN MAKING SURE THE PRIVACY PIN CLEARANCE HOLE IS ALIGNED WITH THE PRIVACY PIN ON THE LATCH, IF APPLICABLE, AND PUSH UP TO THE SURFACE OF THE DOOR.
  - INSERT (2) FASTENERS "G" AND TIGHTEN FIRMLY.

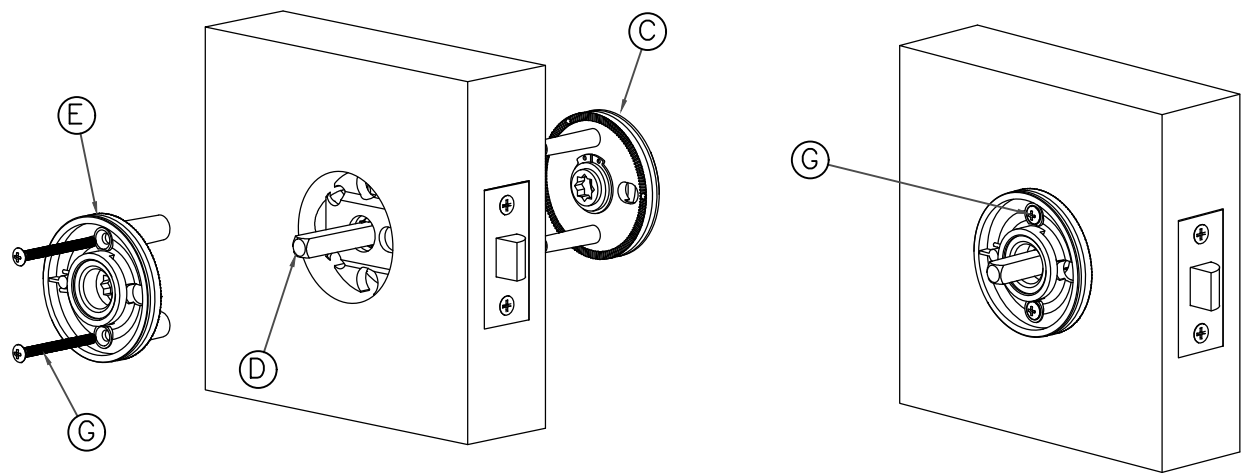


FIG. 5

- POSITION TRIM "B" OVER THE SPINDLE "E" AND PUSH ONTO THE BACKPLATES "C" AND "D" OVER THE O-RING UNTIL THE TRIM IS SEATED FLAT AGAINST THE DOOR SURFACE.
- TIGHTEN THE LEVER SET SCREWS "H" USING THE SUPPLIED HEX WRENCH.
- CHECK FOR NORMAL OPERATION.

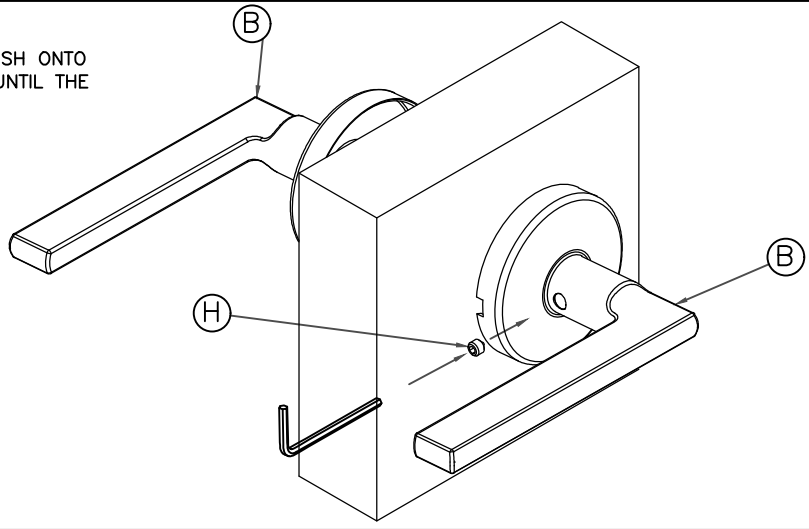


FIG. 6: PRIVACY FUNCTION

- FOLLOW ALL THE STEPS ABOVE, BUT IN FIGURE 5, BE SURE TO ORIENT THE ROSE SO THAT THE PRIVACY HOLE IS POSITIONED CORRECTLY POINTING TOWARD DOOR EDGE AS THE FIGURE BELOW SHOWS.
- IF THIS TUBULAR LATCH IS A PRIVACY FUNCTION, LOCATE THE PRIVACY PIN "K" AND INSERT INTO THE HOLE IN THE ROSE ON THE INSIDE SIDE OF THE ROOM. THREAD THE PIN IN COMPLETELY USING FINGERS ONLY--DO NOT USE ANY TOOLS.
- CHECK FOR NORMAL OPERATION. DEPRESS THE PRIVACY PIN AND CHECK TO MAKE SURE THE EXTERIOR LEVER IS LOCKED. WHILE STILL LOCKED ROTATE THE INSIDE LEVER TO CONFIRM THAT PRIVACY PIN POPS OUT AUTOMATICALLY AND THAT THE EXTERIOR LEVER IS NOW UNLOCKED.

