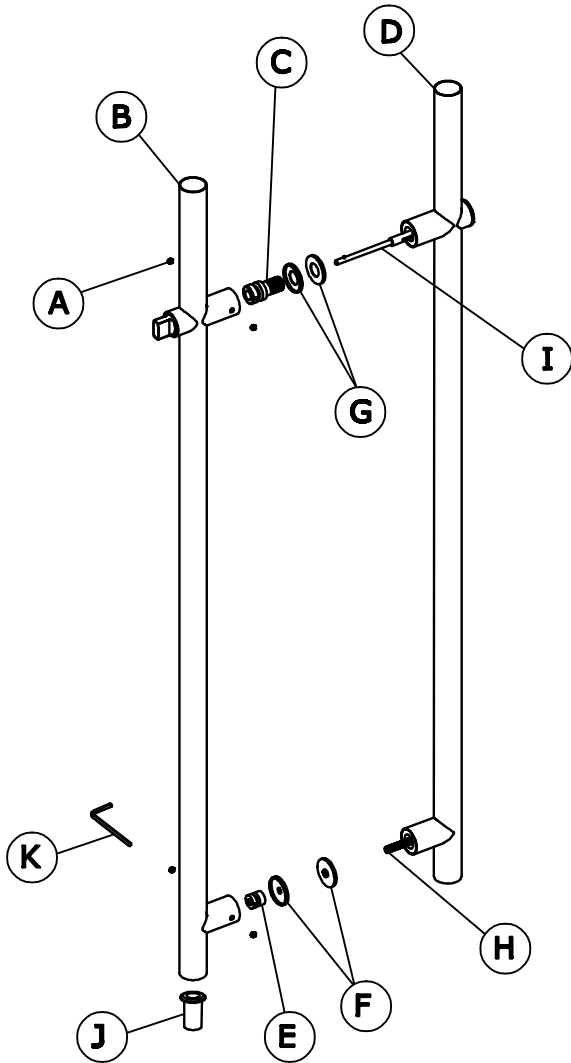


Fresco LDP1 LOCKING DOOR PULL—INSTALLATION INSTRUCTIONS

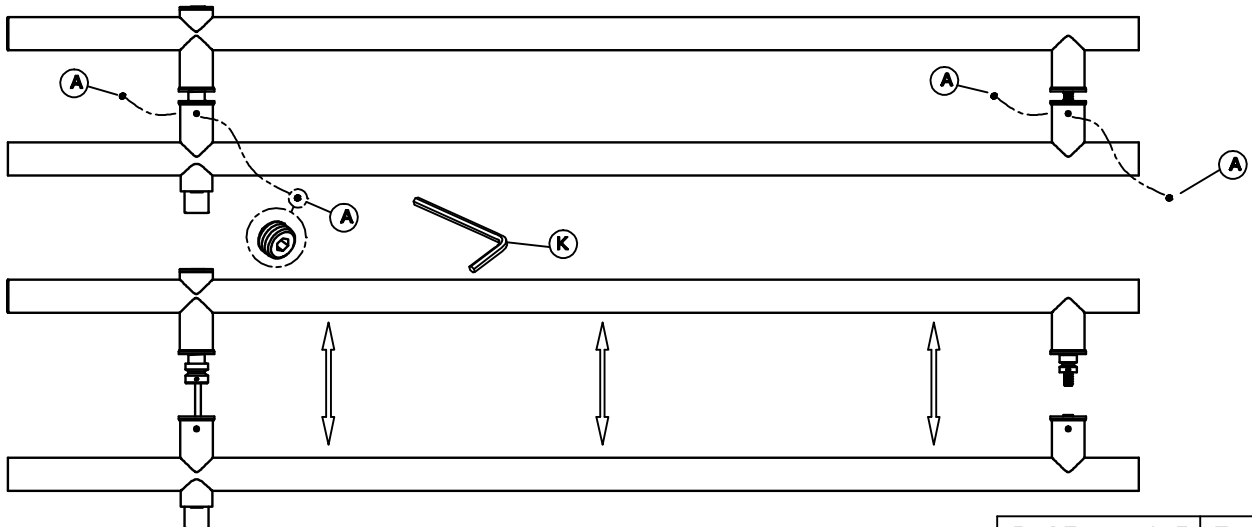


- A) Set Screws (4)
- B) Inside Pull Assembly
- C) Connector, Top
- D) Outside Pull Assembly
- E) Connector, Bottom
- F) Plastic Washer, Bottom (2)
- G) Plastic Washer, Top (2)
- H) Threaded Rod (Bottom)
- I) Throw Member
- J) Strike (floor)
- K) Hex Wrench

BEFORE INSTALLING CAREFULLY READ FOLLOWING INSTRUCTIONS.

UNPACKING INSTRUCTIONS

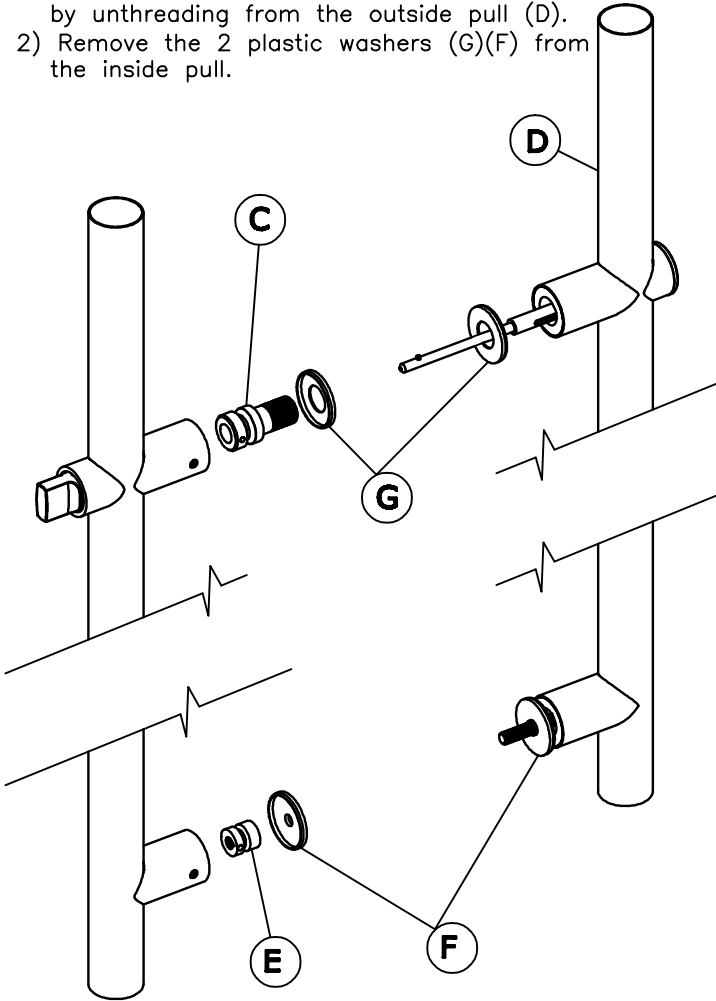
REMOVE ALL 4 SET SCREWS (A) AND PULL HANDLES APART.



INSTALLATION INSTRUCTIONS

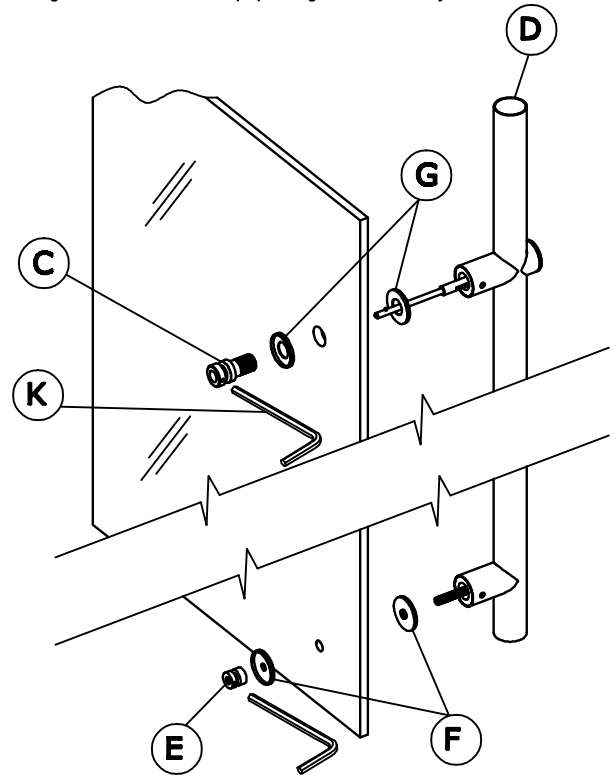
STEP 1.

- 1) Remove the top (C) and bottom (E) connectors by unthreading from the outside pull (D).
- 2) Remove the 2 plastic washers (G)(F) from the inside pull.



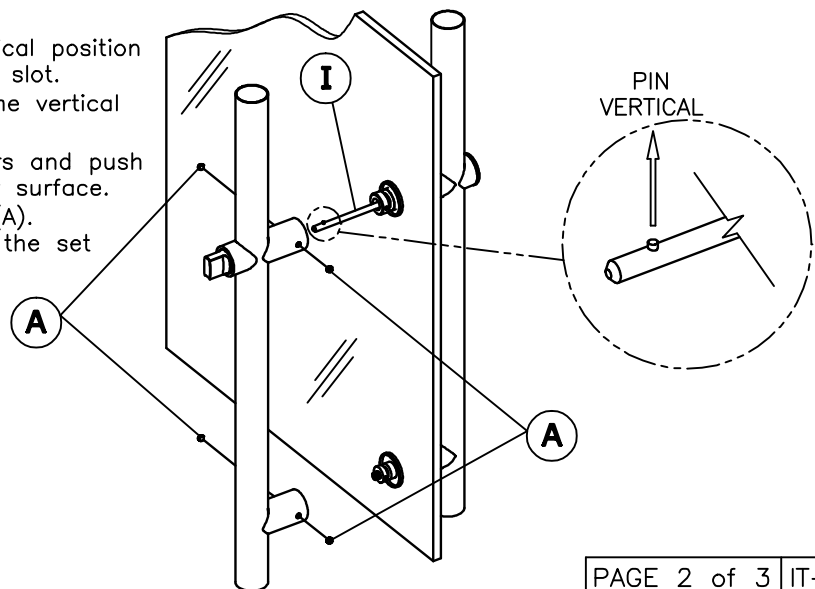
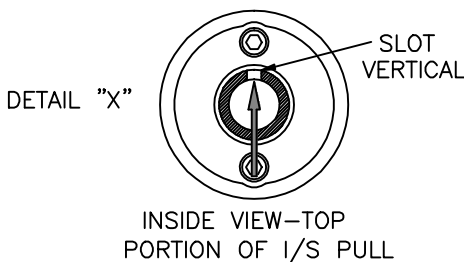
STEP 2.

- 1) Insert the outside pull (D) through the drilled holes. Make certain the plastic washers (G)(F) are in place.
- 2) Insert the remaining top plastic washer (G) over the top connector (C) and fasten through the door into the outside pull.
- 3) Insert the remaining bottom plastic washer (F) over the bottom threaded rod and fasten the connector (E) to the door.
- 4) Using hex wrench (K), tighten firmly.



STEP 3.

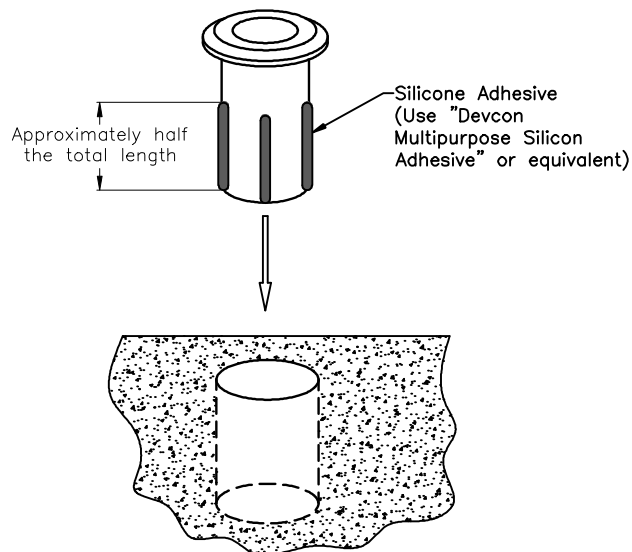
- 1) Orient the throwmember (I) to the vertical position so it aligns with the inside pull internal slot.
- 2) On the inside pull, orient the slot to the vertical position. See detail "X".
- 3) Align the inside pull over the connectors and push firmly against door until flush with door surface.
- 4) Insert and tighten the (4) set screws (A).
- Note: It may be advisable to pre-start the set screws to allow easier installation.
- 5) Check for normal operation.



INSTALLATION INSTRUCTIONS

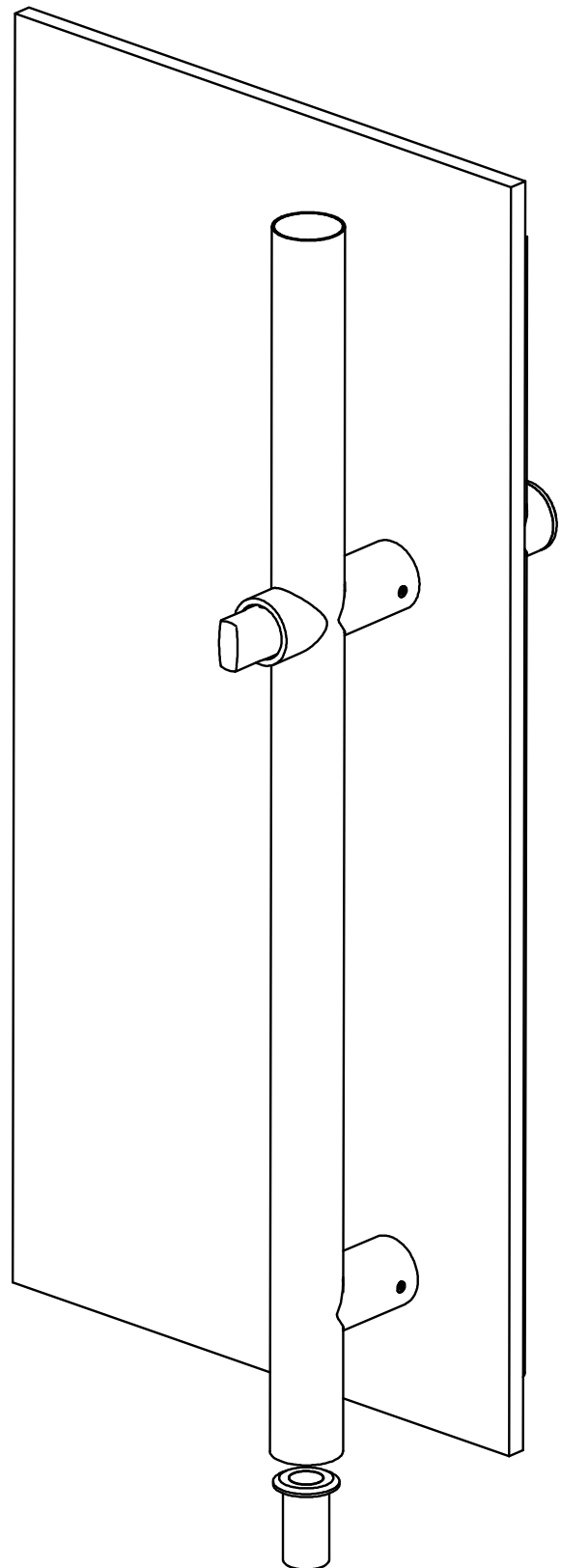
STEP 4.

- 1) Prepare floor to accept Strike according to DP-175.
- 2) Remove all debris from hole in floor.
- 3) Apply 3 rows of adhesive to Strike "J" side walls in row fashion, starting from the bottom and cover approximately 1/2 the length of the Strike. There must be a means for air to escape while inserting the Strike into the floor.
- 4) Insert the Strike in the floor hole making certain the Strike is flush to the floor. DO NOT use any tools to force the Strike into the hole as this may damage the Strike and/or Strike surface.
- 5) Wipe any excessive adhesive.
- 6) If needed, cover the Strike with cardboard as to not damage the surface and apply a weight until the adhesive has dried (see adhesive container for drying times).



STEP 5.

- 1) Check for normal operation from both sides of the Pull (Turn knob and Keyed Cylinder)



frascio