

# 1917-1912Q PASSAGE TRIM INSTALLATION INSTRUCTIONS

## LARGE ROSE APPLICATION-1912Q

- A) PASSAGE LATCH KIT COMPONENTS
- B) LEVER/ROSE PASSAGE TRIMSET
- C) BACKPLATE-OUTSIDE
- D) BACKPLATE-INSIDE
- E) SPINDLE
- F) RETAINER CLIP
- G) MOUNTING SCREWS-BACKPLATE
- H) LEVER SET SCREWS (2) AND M3 HEX WRENCH
- I) ROSE SET SCREWS AND M2 HEX WRENCH

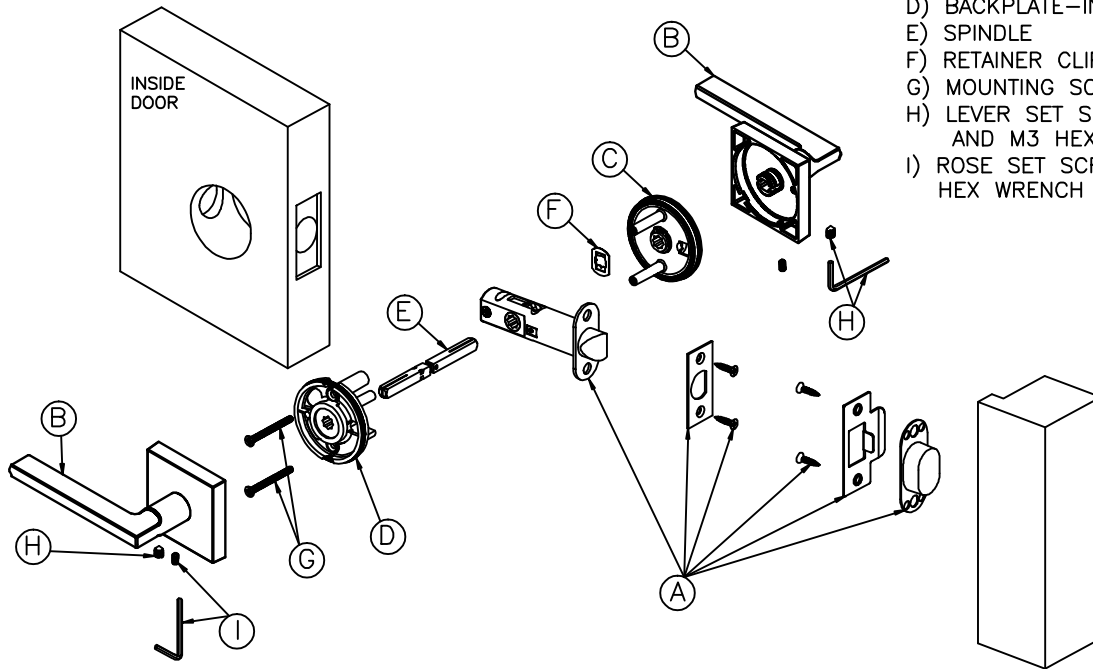
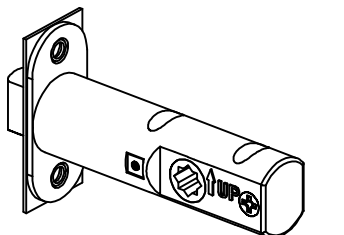
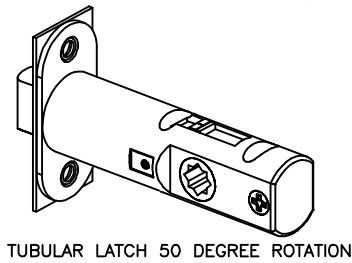
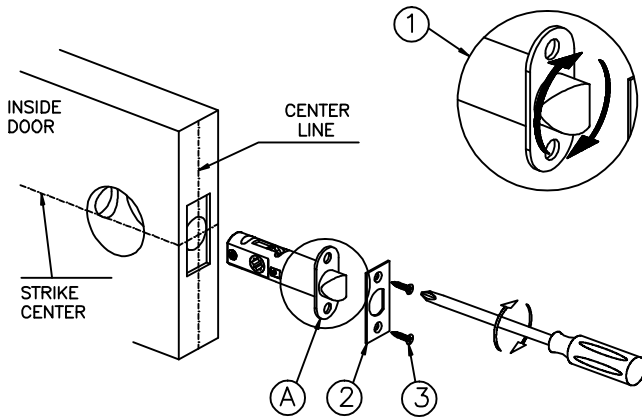


FIG. 1

FIG. 2



TUBULAR LATCH 28 DEGREE ROTATION

STEP 1)  
THE DOOR SHOULD BE PREPARED USING THE TUBULAR LATCH DOOR TEMPLATE, DP-161. IF TEMPLATE ALIGNMENT AND DRILLING HAVE BEEN CARRIED OUT PROPERLY, THE RESULT SHOULD CORRESPOND TO FIG. 2. INSERT THE LATCH "A" INTO THE EDGE BORE AND TURN THE BOLT IN THE CORRECT POSITION (PICTURE 1). SECURE THE FACEPLATE "2" WITH ITS SCREWS "3".

NOTE: FOR INSTALLATION USING A 28 DEGREE LATCH, TAKE NOTE OF THE "UP" DESIGNATION ON THE SIDE OF THE LATCH TUBE AND INSERT LATCH WITH PROPER ORIENTATION.

FIG. 3

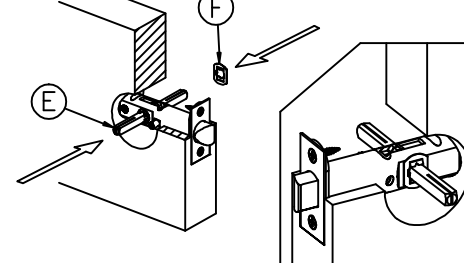
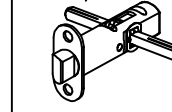
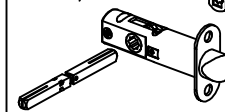


FIG. 3/A

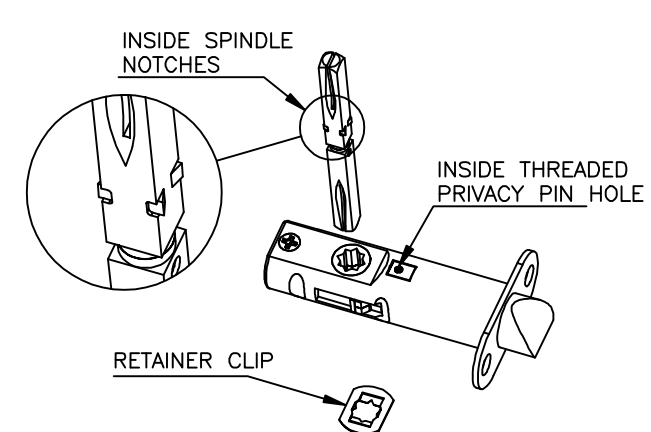
FIG. 3/C



STEP 2)  
INSERT THE PRIVACY SPINDLE "E" INTO THE LATCH FROM INSIDE OF DOOR. GROOVED CUTOUT ON SPINDLE MUST FACE DOWN OR TOWARD LEVER SET SCREW POSITION. FROM EXTERIOR SIDE OF DOOR, PRESS RETAINER CLIP "F" ONTO SPINDLE, MAKING SURE THAT THE CLIP AND SPINDLE NOTCHES ARE SNUG AGAINST THE LATCH HUB.

THE RESULT SHOULD CORRESPOND TO:  
FIG. 3/A  
FIG. 3/B  
FIG. 3/C

FIG. 3/B



frascio

REVISED: 10-22-13  
IT-167, PAGE 1

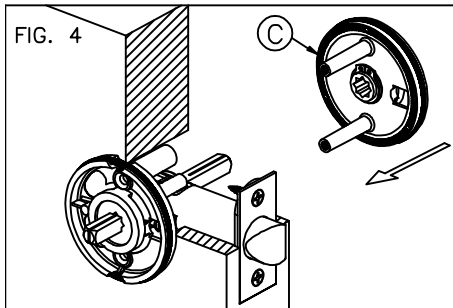


FIG. 4

STEP 3)  
PLACE BOTH  
BACKPLATES ONTO  
SPINDLE AND SLIDE  
THEM FLUSH AGAINST  
THE DOOR SURFACE.

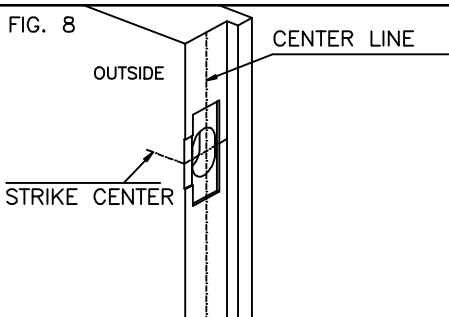


FIG. 8

STEP 7)  
PREPARE THE DOOR  
FRAME AS INDICATED  
ON THE LATCH  
TEMPLATE USING THE  
SAME HORIZONTAL  
CENTER LINE FOR  
THE STRIKEPLATE.

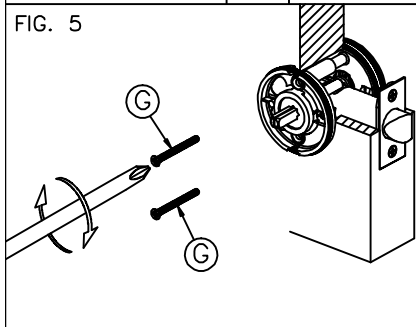


FIG. 5

STEP 4)  
FASTEN THE  
BACKPLATE USING  
SCREWS "G".

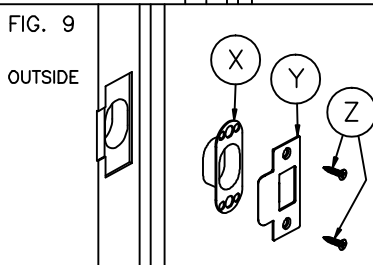


FIG. 9

STEP 8)  
PREPARE THE DOOR  
FRAME AS NEEDED  
TO ACCEPT THE  
DUST BOX AND  
STRIKEPLATE.  
FASTEN DUST BOX  
"X" AND  
STRIKEPLATE "Y"  
WITH STRIKE SCREWS  
"Z"

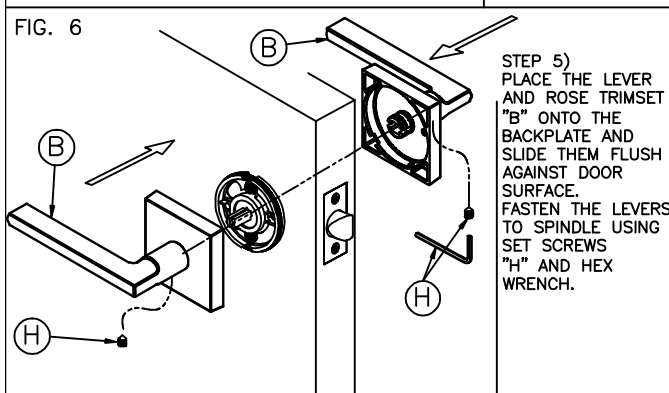


FIG. 6

STEP 5)  
PLACE THE LEVER  
AND ROSE TRIMSET  
"B" ONTO THE  
BACKPLATE AND  
SLIDE THEM FLUSH  
AGAINST DOOR  
SURFACE.  
FASTEN THE LEVERS  
TO SPINDLE USING  
SET SCREWS  
"H" AND HEX  
WRENCH.

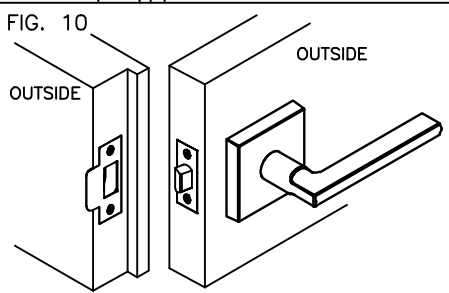


FIG. 10

STEP 9)  
TO COMPLETE THE  
INSTALLATION OF TRIM  
SET, DO A FINAL  
CHECK TO VERIFY  
PROPER OPERATION.  
NOTE THAT THE  
LATCH BOLT MUST  
CORRECTLY FIT INTO  
THE STRIKEPLATE TO  
FUNCTION PROPERLY.  
RECHECK THE DOOR  
PREPARATION AND  
INSTALLATION STEPS  
IN CASE THE SET  
DOESN'T WORK  
PROPERLY.

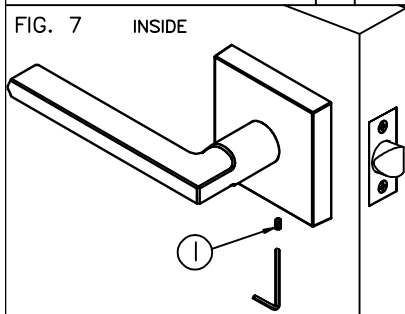


FIG. 7

INSIDE

STEP 6)  
THE SET PROPERLY  
INSTALLED SHOULD  
CORRESPOND TO  
FIG. 10.  
NOTE: HORIZONTAL  
POSITION OF LEVER  
CAN BE ADJUSTED  
SLIGHTLY REMOVING  
TRIMSET, LOOSENING THE  
BACKPLATE SCREWS, RE-  
TIGHTENING SCREWS  
AND REPLACING TRIM.  
  
INSTALL ROSE SET  
SCREW "I" USING M2  
HEX WRENCH PROVIDED.