

1912Q ROSE PRIVACY LEVERSET INSTALLATION INSTRUCTIONS

- A) PRIVACY LATCH KIT COMPONENTS
- B) LEVER/ROSE PRIVACY TRIMSET
- C) BACKPLATE—OUTSIDE
- D) BACKPLATE—INSIDE
- E) SPINDLE—PRIVACY
- F) RETAINER CLIP
- G) MOUNTING SCREWS—BACKPLATE
- H) LEVER SET SCREWS (2) AND M3 HEX WRENCH
- I) SQUARE ROSE SET SCREWS AND M2 HEX WRENCH
- J) PRIVACY PIN
- K) EXTENSION—PRIVACY PIN
- L) STOP PIN—PRIVACY

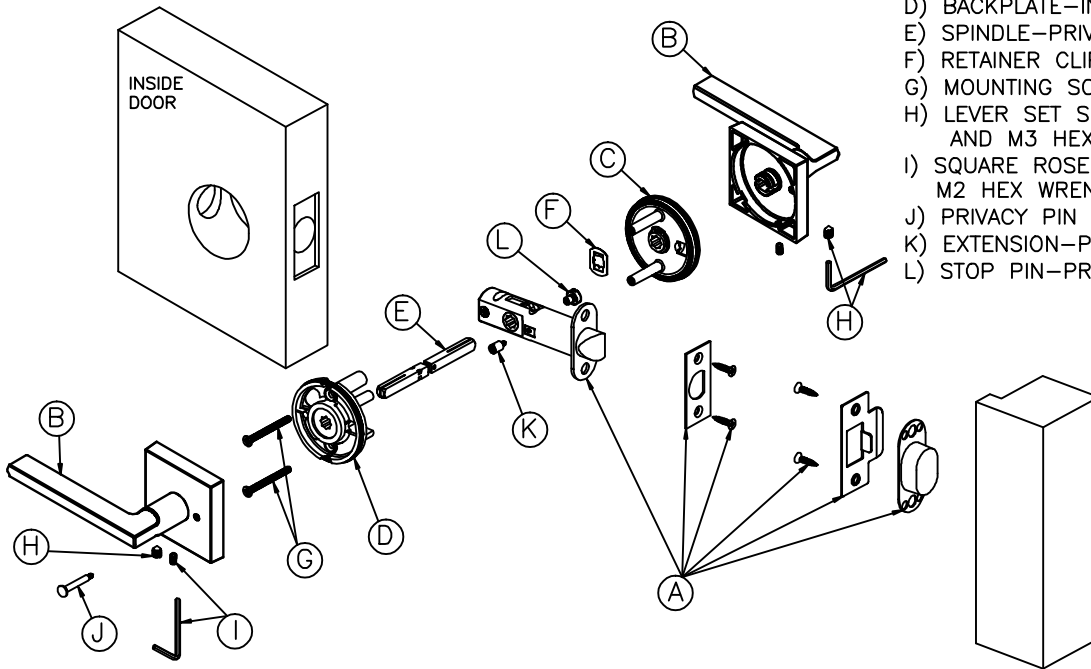
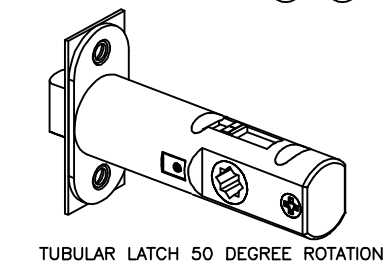
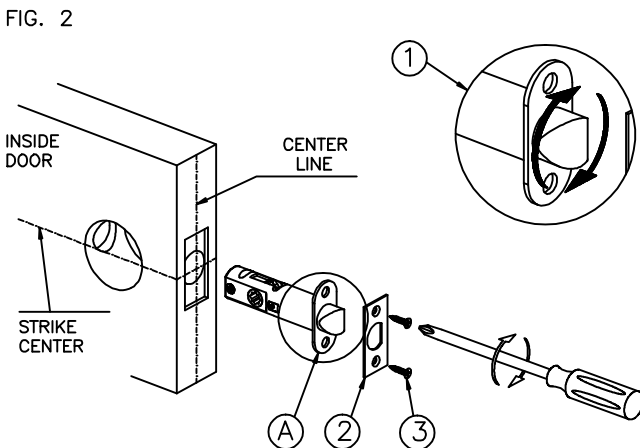
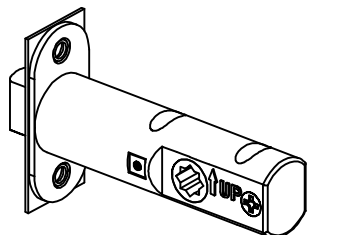


FIG. 1



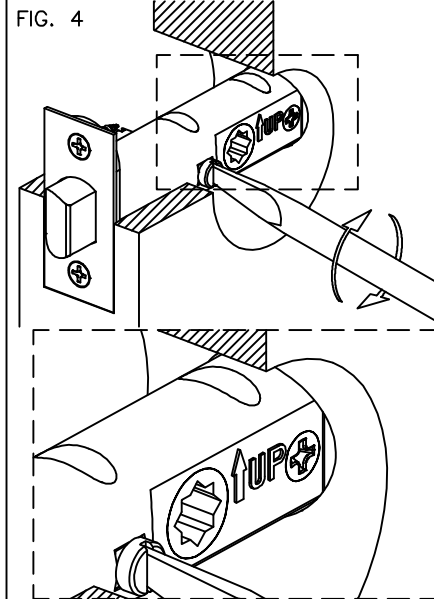
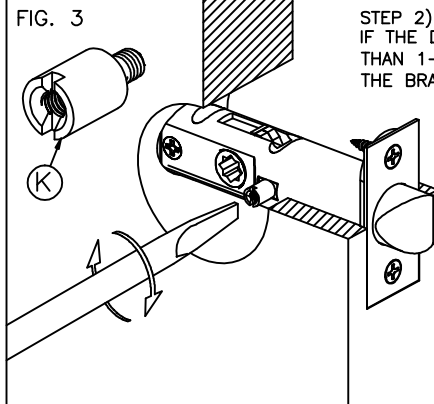
TUBULAR LATCH 50 DEGREE ROTATION



TUBULAR LATCH 28 DEGREE ROTATION

STEP 1)
THE DOOR SHOULD BE PREPARED USING THE TUBULAR LATCH DOOR TEMPLATE, DP-161. IF TEMPLATE ALIGNMENT AND DRILLING HAVE BEEN CARRIED OUT PROPERLY, THE RESULT SHOULD CORRESPOND TO FIG. 2. INSERT THE LATCH "A" INTO THE EDGE BORE AND TURN THE BOLT IN THE CORRECT POSITION (PICTURE 1). SECURE THE FACEPLATE "2" WITH ITS SCREWS "3".

NOTE: FOR INSTALLATION USING A 28 DEGREE LATCH, TAKE NOTE OF THE "UP" DESIGNATION ON THE SIDE OF THE LATCH TUBE AND INSERT LATCH WITH PROPER ORIENTATION.

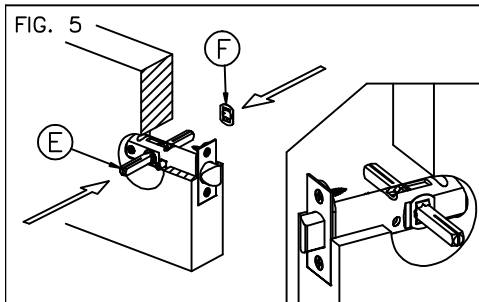


STEP 2)
IF THE DOOR THICKNESS IS MORE THAN 1-5/8" (42mm) THREAD THE BRASS EXTENSION "K" INTO THE PRIVACY LUG ON THE INTERIOR SIDE OF THE DOOR.

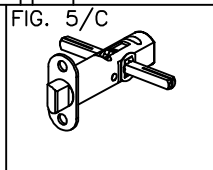
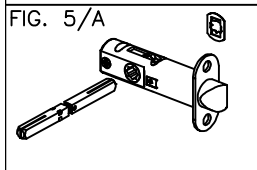
THIS STEP SHOULD NOT BE NECESSARY FOR 1-3/8" THICK DOORS.

FOR INSTALLATION OF 28 DEGREE ROTATION LATCH ONLY:

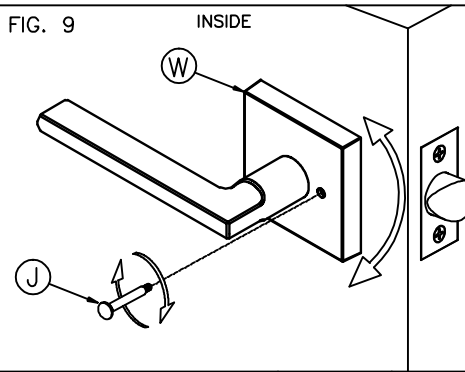
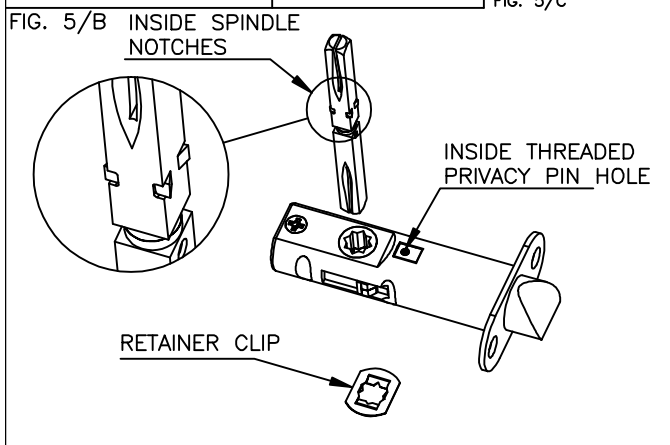
STEP 3)
FASTEN THE BRASS MACHINE STOP SCREW "L" INTO THE PRIVACY LUG ON THE EXTERIOR SIDE OF THE DOOR.



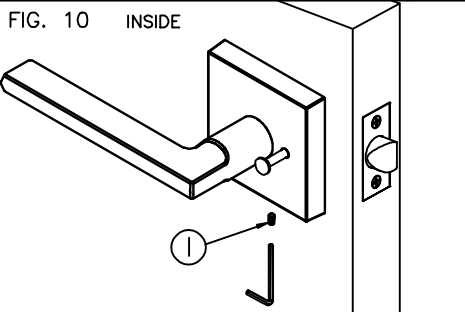
STEP 4)
INSERT THE PRIVACY SPINDLE "E" INTO THE LATCH FROM INSIDE OF DOOR. GROOVED CUTOUT ON SPINDLE MUST FACE DOWN OR TOWARD LEVER SET SCREW POSITION. FROM EXTERIOR SIDE OF DOOR, PRESS RETAINER CLIP "F" ONTO SPINDLE, MAKING SURE THAT THE CLIP AND SPINDLE NOTCHES ARE SNUG AGAINST THE LATCH HUB.



THE RESULT SHOULD CORRESPOND TO:
FIG. 5/A
FIG. 5/B
FIG. 5/C

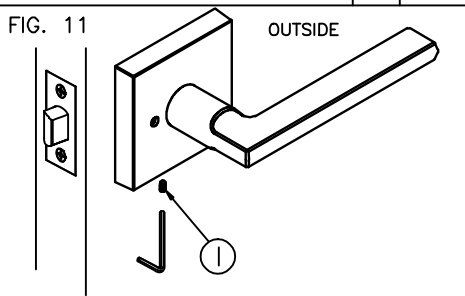


STEP 8)
THREAD PRIVACY PIN "J" INTO LATCH FROM INSIDE DOOR AND VERIFY PROPER OPERATION. IF DURING THE INSTALLATION OF THE SET THE PRIVACY HOLE IS NOT CORRECTLY ALIGNED TO THE LATCH PRIVACY MECHANISM, TURN THE ROSE "W" CLOCKWISE OR COUNTER CLOCKWISE AS NEEDED.

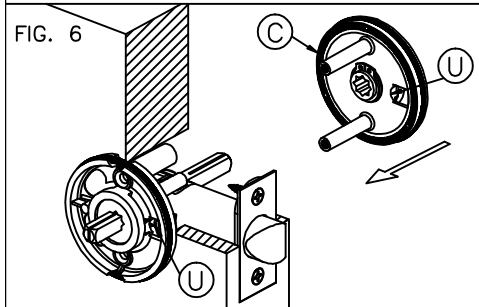


STEP 9)
THE SET PROPERLY INSTALLED SHOULD CORRESPOND TO FIG. 10.
NOTE: HORIZONTAL POSITION OF LEVER CAN BE ADJUSTED SLIGHTLY REMOVING TRIMSET, LOOSENING THE BACKPLATE SCREWS, RE-TIGHTENING SCREWS AND REPLACING TRIM.

INSTALL ROSE SET SCREW "I" USING M2 HEX WRENCH PROVIDED.

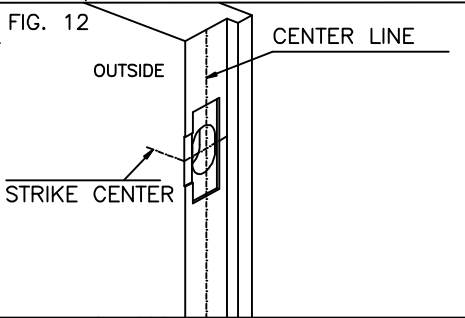


STEP 10)
INSTALL ROSE SET SCREW "I" USING M2 HEX WRENCH PROVIDED. BE CERTAIN ROSE IS SQUARE TO DOOR EDGE.

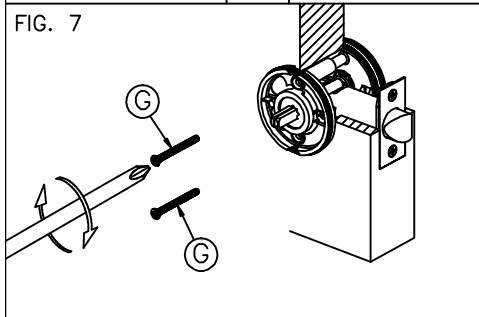


STEP 5)
PLACE BOTH BACKPLATES ONTO SPINDLE AND SLIDE THEM FLUSH AGAINST THE DOOR SURFACE.

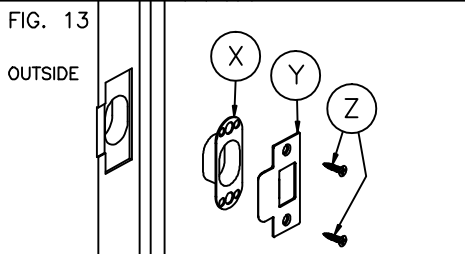
IMPORTANT: THE HOLE "U" HAS TO BE ALIGNED WITH THE LATCH PRIVACY MECHANISM.



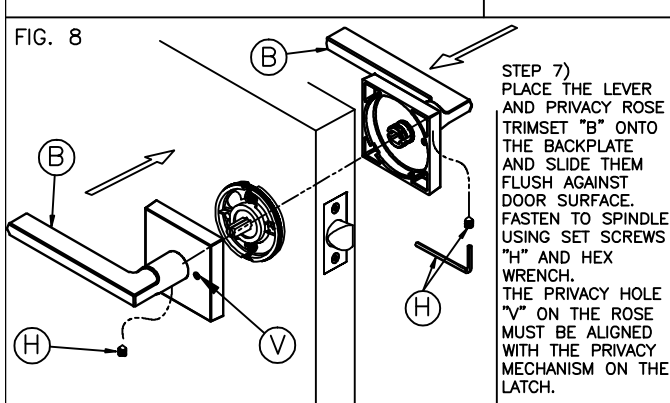
STEP 11)
PREPARE THE DOOR FRAME AS INDICATED ON THE LATCH TEMPLATE USING THE SAME HORIZONTAL CENTER LINE FOR THE STRIKEPLATE.



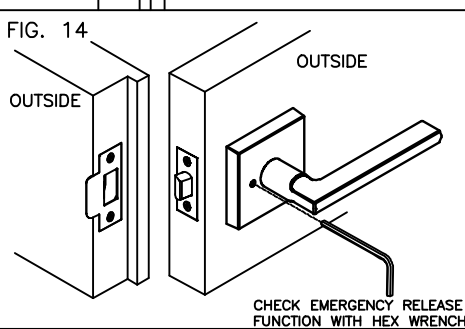
STEP 6)
FASTEN THE BACKPLATE USING SCREWS "G".



STEP 12)
PREPARE THE DOOR FRAME AS NEEDED TO ACCEPT THE DUST BOX AND STRIKEPLATE. FASTEN DUST BOX "X" AND STRIKEPLATE "Y" WITH STRIKE SCREWS "Z"



STEP 7)
PLACE THE LEVER AND PRIVACY ROSE TRIMSET "B" ONTO THE BACKPLATE AND SLIDE THEM FLUSH AGAINST DOOR SURFACE. FASTEN TO SPINDLE USING SET SCREWS "H" AND HEX WRENCH. THE PRIVACY HOLE "V" ON THE ROSE MUST BE ALIGNED WITH THE PRIVACY MECHANISM ON THE LATCH.



STEP 13)
DO A FINAL CHECK TO VERIFY PROPER OPERATION. NOTE THAT THE LATCH BOLT MUST CORRECTLY FIT INTO THE STRIKEPLATE TO FUNCTION PROPERLY. RECHECK THE DOOR PREPARATION AND INSTALLATION STEPS IN CASE THE SET DOESN'T WORK PROPERLY.