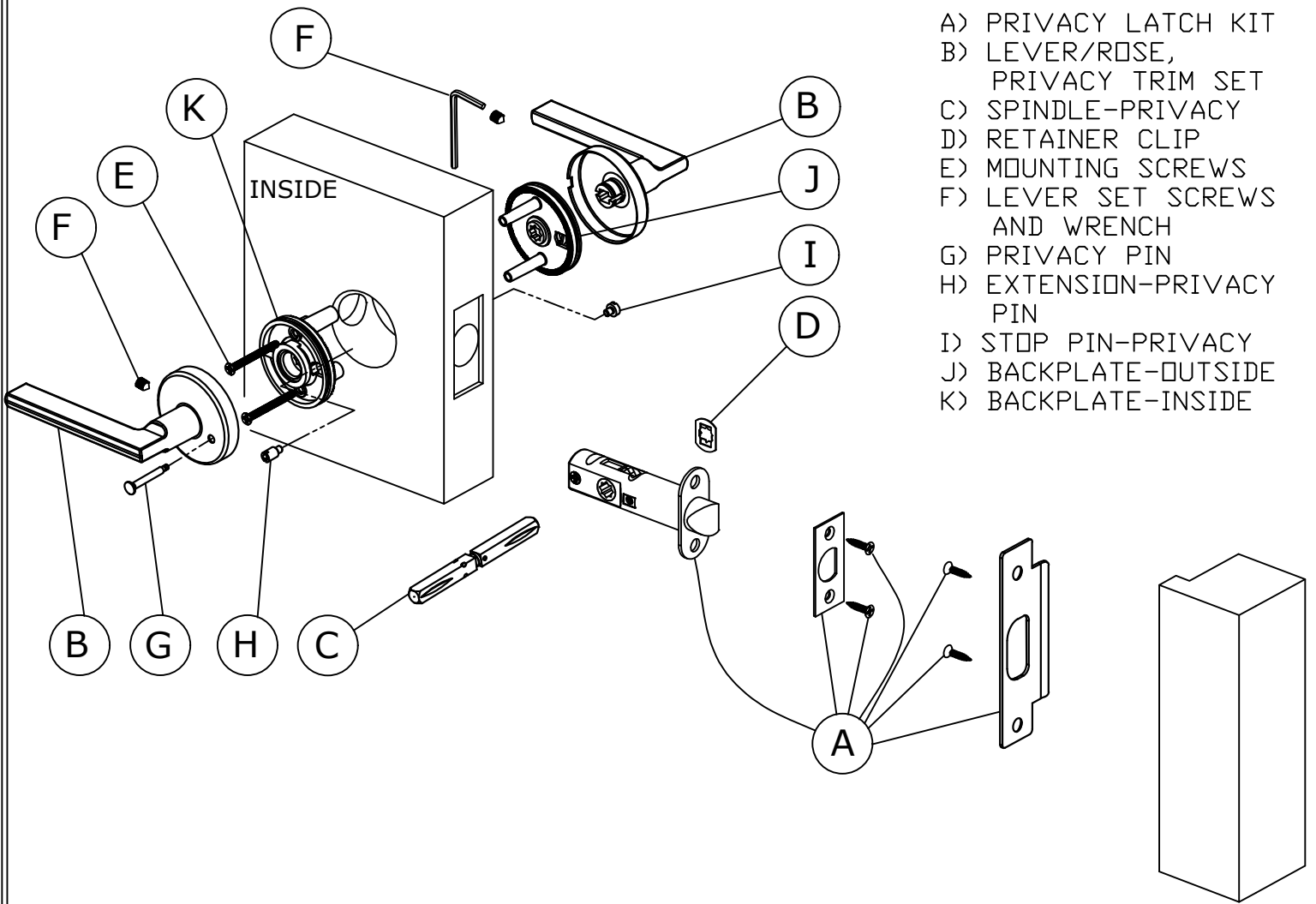
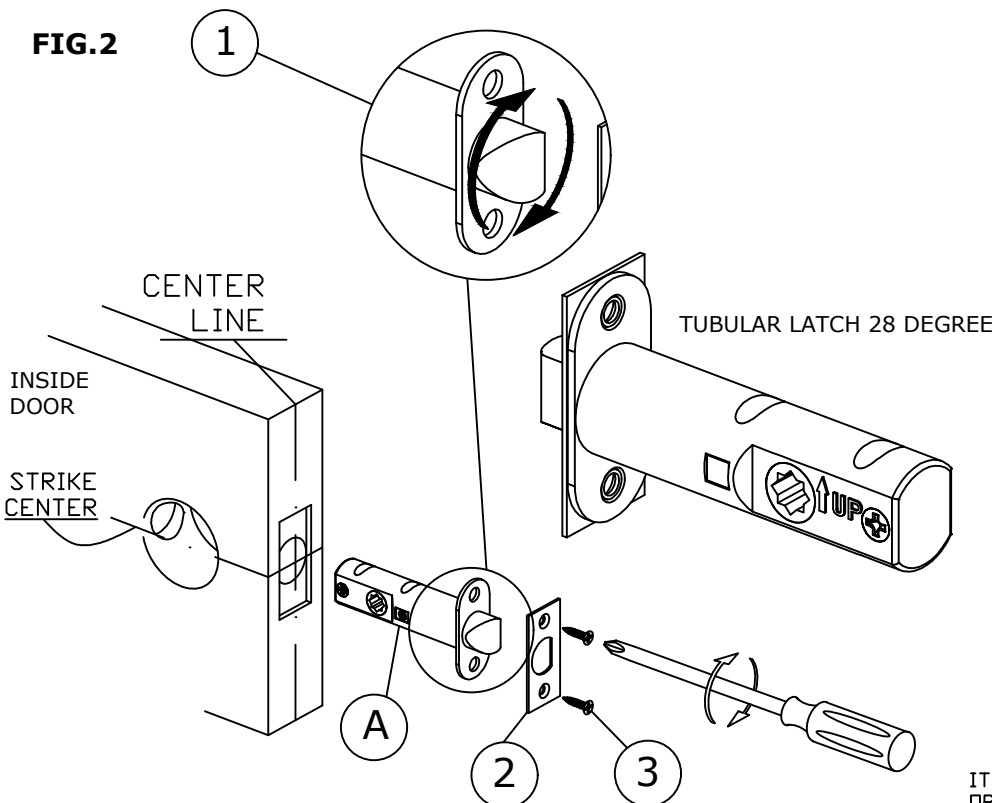


# (161) PRIVACY TRIM INSTALLATION INSTRUCTIONS



**FIG.1** BEFORE ASSEMBLING THE SET, CAREFULLY READ THE INSTALLATION INSTRUCTIONS.



STEP 1) THE DOOR SHOULD BE PREPARED USING THE PRIVACY TUBULAR LATCH DOOR PREPARATION TEMPLATE, DP-161. IF TEMPLATE ALIGNMENT AND DRILLING HAVE BEEN CARRIED OUT PROPERLY, THE RESULT SHOULD CORRESPOND TO FIGURE 2. INSERT THE LATCH (A) INTO THE EDGE BORE AND TURN THE BOLT IN THE CORRECT POSITION (PICTURE 1). SECURE THE FACEPLATE (2) WITH ITS SCREWS (3)

NOTE:  
FOR INSTALLATION USING A 28 DEGREE ROTATION LATCH, TAKE NOTE OF THE "UP" DESIGNATION ON THE SIDE OF THE LATCH TUBE AND INSERT LATCH WITH PROPER ORIENTATION.

STEP 2) (ONCE INSTALLED ON DOOR)  
 1) ORIENT THE SPINDLE WITH THE SET SCREW GROOVES FACING INSIDE. INSERT SPINDLE WITH THE STOP NOTCHES ON THE INSIDE OF THE DOOR, UNTIL IT STOPS AGAINST THE LATCH HUB.  
 2) SLIDE RETAINING CLIP OVER OUTSIDE AND PUSH ON. HOLD INSIDE SPINDLE FIRMLY UNTIL THE CLIP HAS SEATED PROPERLY.  
 3) THREAD IN THE PRIVACY PIN SPACER (H).  
 4) ON THE OUTSIDE, THREAD IN THE PRIVACY STOP PIN (I).

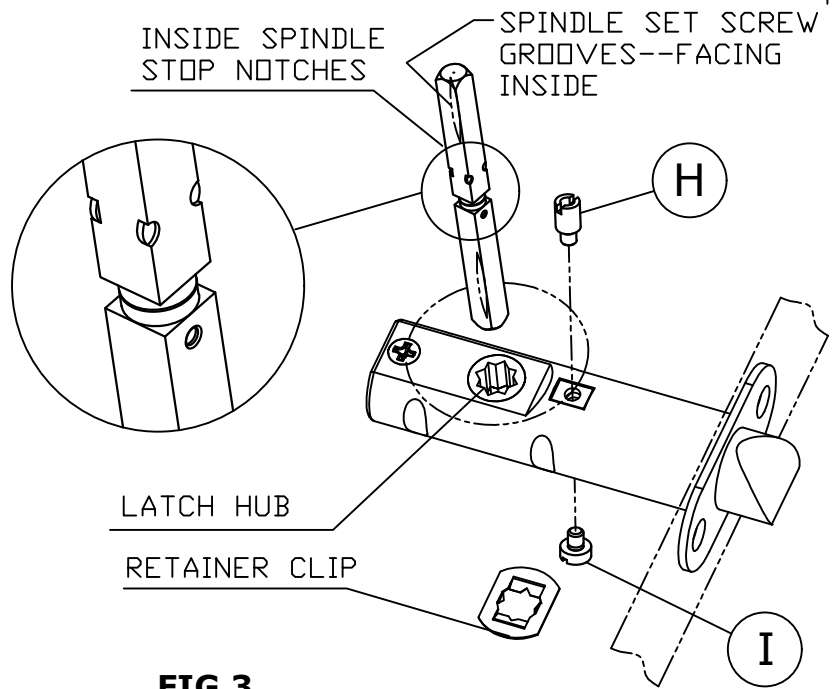


FIG. 3

STEP 3) ORIENT AND INSERT THE (J) OUTSIDE BACKPLATE (2 THREADED STUDS) STRADLING THE LATCH UNTIL FLUSH AGAINST DOOR FACE. WHILE HOLDING THE OUTSIDE, INSERT THE (K) INSIDE (4POSTS) BACKPLATE OVER THE OUTSIDE MOUNTING STUDS. INSERT THE (2) MOUNTING SCREWS AND TIGHTEN FIRMLY. PLACE THE LEVER/ROSE TRIM ASSEMBLY (B) OVER THE SPINDLE. ENSURE THE ROSE IS FLUSH AGAINST THE DOOR FACE AND THE LEVER IS PARALLEL TO THE FLOOR. ROTATE THE ROSE(S) SO THE PRIVACY HOLES LINE-UP CORRECTLY AND WITH THE NOTCH AT THE BOTTOM, FACING THE FLOOR. FASTEN THE LEVER TO THE SPINDLE WITH SET SCREW (F) USING THE ALLEN KEY (BOTH SIDES). CHECK FOR PROPER OPERATION.

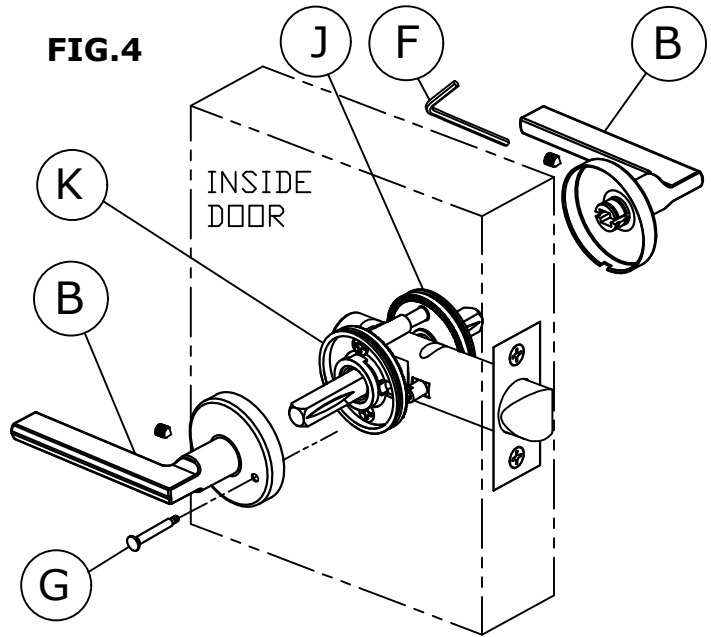


FIG. 4

STEP 4)  
 PREPARE THE DOOR FRAME FOR THE ANSI STRIKE AS INDICATED ON THE LATCH TEMPLATE USING THE SAME HORIZONTAL CENTER LINE FOR THE STRIKEPLATE.

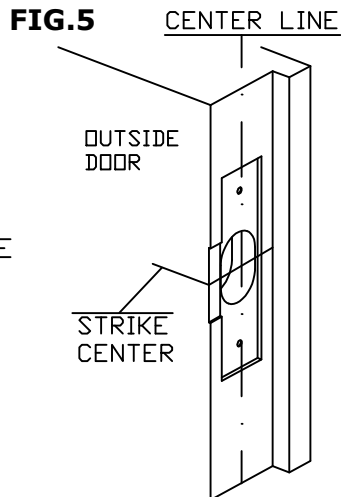


FIG. 5

FIG. 6

