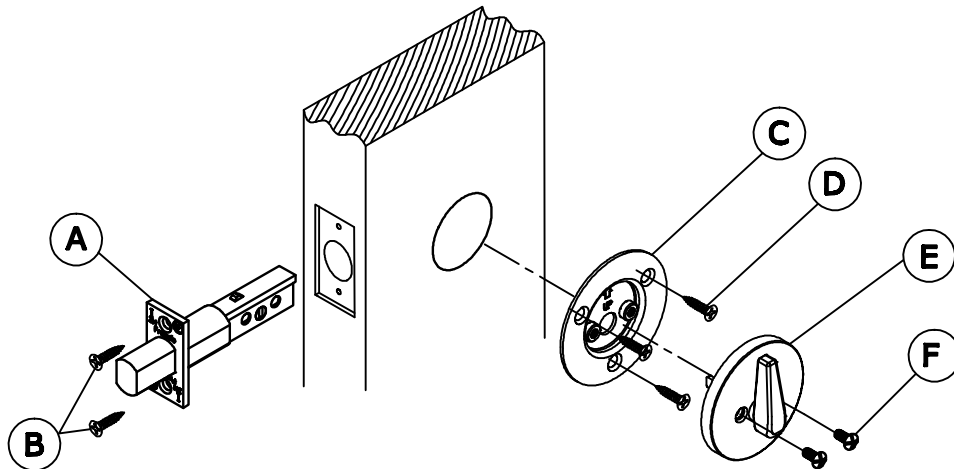


# B80 COMMUNICATING DEADBOLT, BLIND PREPARATION INSTALLATION INSTRUCTIONS

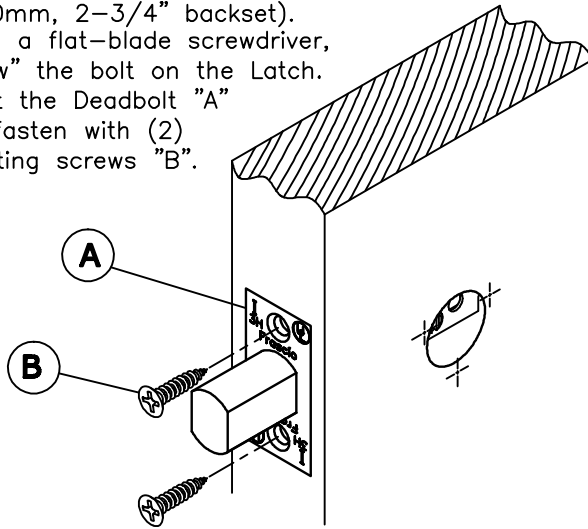


- A) Deadbolt
- B) Screws, Deadbolt
- C) Mounting Plate
- D) Screws, Mounting Plate
- E) Turn Knob Trim
- F) Screws, Turn Knob Trim

BEFORE ASSEMBLING, CAREFULLY READ THESE INSTALLATION INSTRUCTIONS.

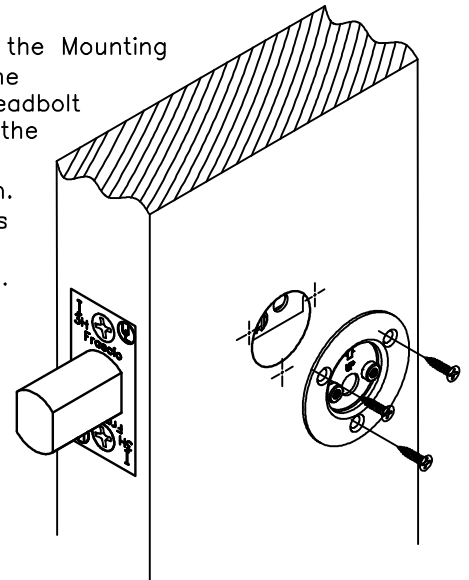
## STEP 1)

- a. Prepare door according to DP-133 (60mm, 2-3/8" backset or 70mm, 2-3/4" backset).
- b. Using a flat-blade screwdriver, "throw" the bolt on the Latch.
- c. Insert the Deadbolt "A" and fasten with (2) Mounting screws "B".



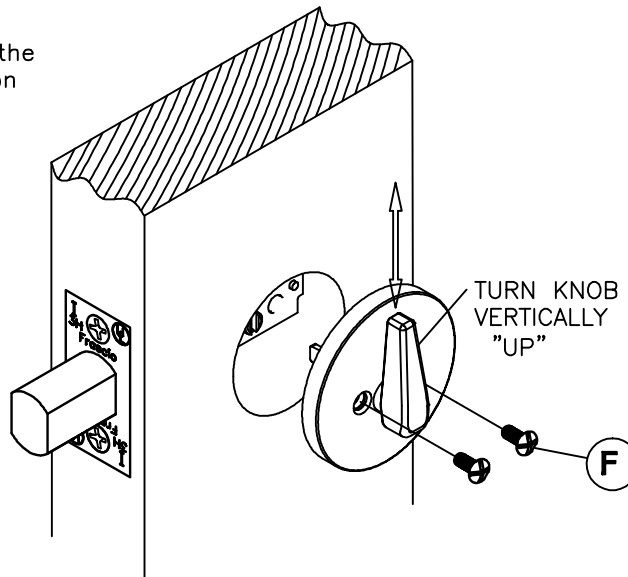
## STEP 2)

- a. Align and insert the Mounting Plate "C" with the corresponding deadbolt hub. Be certain the "ARROW" is in the "UP" position.
- b. Insert (3) screws "D" to secure to the door surface.



## STEP 3)

- a. Make certain the orientation of the tailpiece is in the vertical position prior to inserting the Turn Knob Trim (see Detail "Z").
- b. Insert the Tailpiece into the Deadbolt Hub.
- c. Insert (2) fasteners "F" and secure the trim to the door.
- d. Check for proper operation.



## DETAIL "Z"

