

SM PRIVACY LEVER INSTALLATION INSTRUCTIONS TUBULAR LATCH-SECTIONAL TRIM

- A) PRIVACY LATCH KIT
- B) LEVER/ROSE BASE-OUTSIDE
- C) MOUNTING BASE-INSIDE
- D) LEVER/ROSE-INSIDE
- E) SPINDLE
- F) RETAINER CLIP
- G) MOUNTING SCREWS
- H) LEVER SET SCREWS AND WRENCH (IF REQUIRED)
- I) PRIVACY PIN EXTENSION (BRASS)
- J) MACHINE SCREW CAP (BRASS)
- K) PRIVACY PIN
- L) DOOR PREP GUIDE DP-115

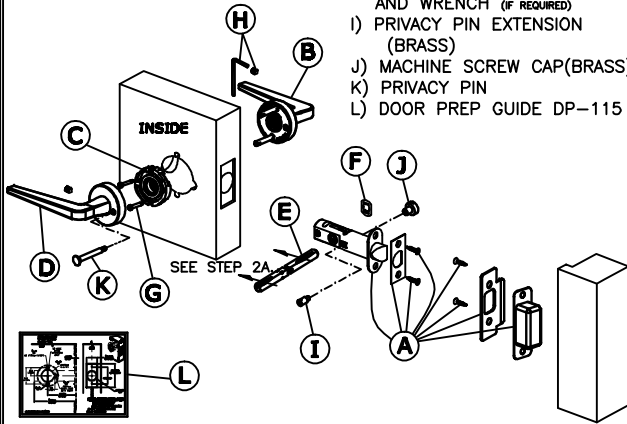
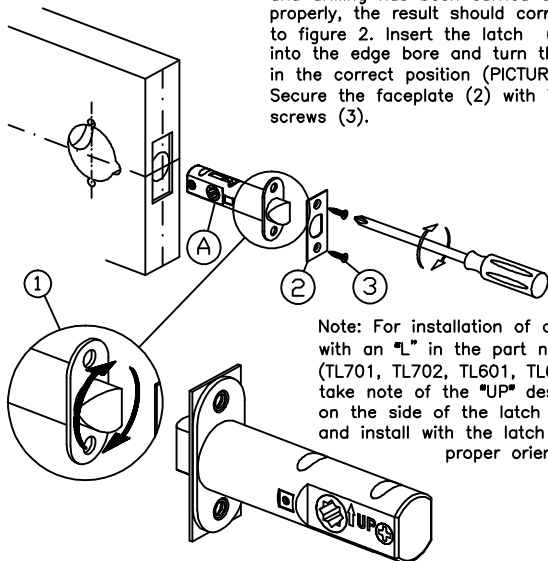


FIG. 1 BEFORE ASSEMBLING THE SET, CAREFULLY READ THE INSTALLATION INSTRUCTIONS.

TUBULAR LATCH INSTALLATION

FIG. 2



TUBULAR "L" TYPE LATCH

STEP 1)
The door should be prepared using the SM tubular "privacy" latch door preparation guide DP-115 (70mm, 2-3/4" backset) or (60mm, 2-3/8" backset). If guide is followed correctly and drilling has been carried out properly, the result should correspond to figure 2. Insert the latch (A) into the edge bore and turn the bolt in the correct position (PICTURE 1). Secure the faceplate (2) with its screws (3).

Note: For installation of a latch with an "L" in the part number (TL701, TL702, TL601, TL602), take note of the "UP" designation on the side of the latch tube and install with the latch in the proper orientation.

STEP 2)

A. Orient the spindle "E" so the set screw grooves in the spindle are facing the set screw in the lever.

B. Insert spindle with the spindle notches on the inside of the door until it stops against the latch hub.

C. Slide retaining clip "F" over outside spindle and push on. Hold inside spindle firmly until the clip has seated properly.

D. On the exterior side, thread brass machine screw "J" into the privacy lug "X". Note: this screw must be installed to ensure the proper function of the privacy latch.

E. If the door thickness is more than 1-5/8 (42mm) thread the brass extension "I" into the privacy lug "X" on the interior side.

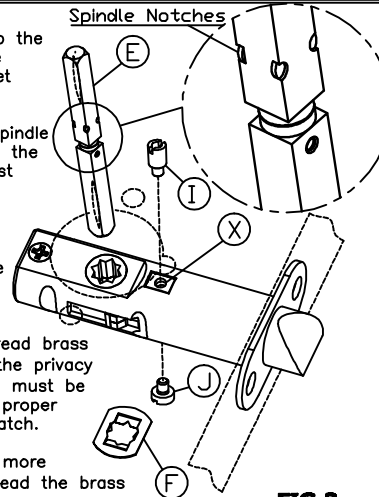


FIG. 3

STRIKE PLATE INSTALLATION

STEP 3)

A. Prepare the door frame for the strike as indicated on the latch template using the same horizontal center-line for the strikeplate and latch.

B. Install dust box and strike plate inside the door frame.

C. Retain with provided screws (A-3).

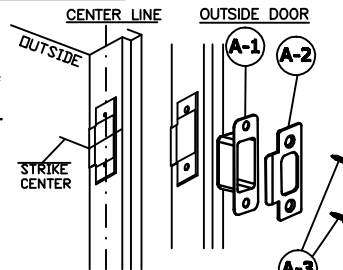


FIG. 4

FIG. 5

TRIM INSTALLATION

STEP 4)

A. Place the outside lever/rose base assembly "B" over the spindle. Ensure the base is flush against the door and the lever is parallel to the floor.

B. Align inside mounting base "C" so the mounting holes and privacy access holes line-up with the latch, then slide over the spindle until flush with the door surface.

C. Insert and tighten the throughbolt mounting screws "G" through inside base "C" and into the outside mounting base "B" posts.

D. Align the lever spindle hole over the spindle and push trim toward the door face.

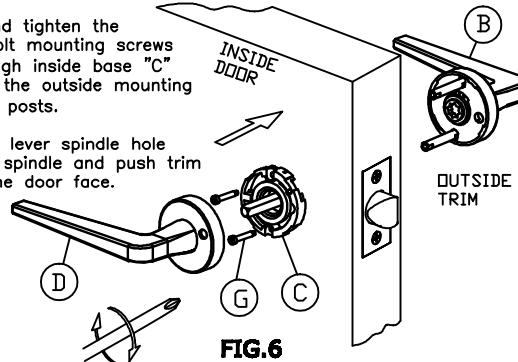


FIG. 6

STEP 5)

A. Insert the inside lever/rose assembly "D" over the spindle and rotate the rose alone to align the (4) cleats with (4) mating grooves in the mounting base. Make certain privacy hole is in correct position, allowing installation of privacy pin.

B. Once aligned, push firmly until rose is up against the surface of the door.

C. Using strap wrench, rotate the rose clockwise approximately 15 degrees until the rose is seated properly.

D. Insert the lever set screw "H" and tighten firmly on both inside and outside levers.

E. Insert the privacy pin "K" into the hole in the inside rose. Tighten firmly, using fingers only.

