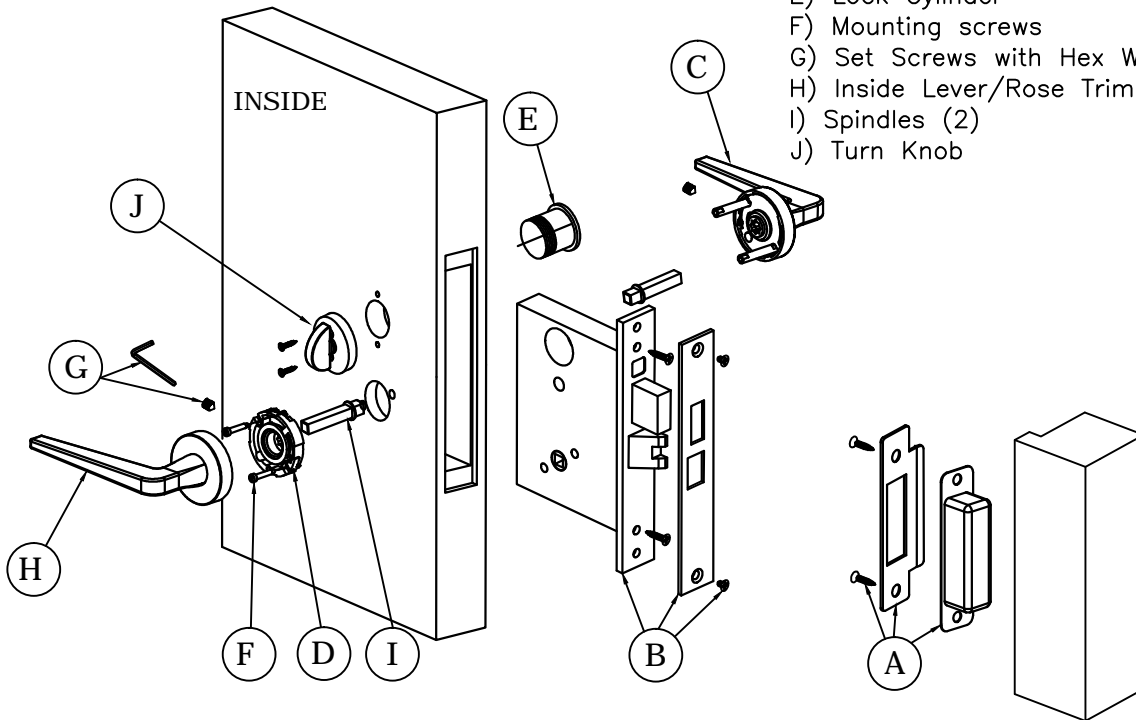


IT-126, FRASCIO SM ROSE TRIM SYSTEM INSTALLATION INSTRUCTIONS FALCON "MA" ANSI LOCKSET

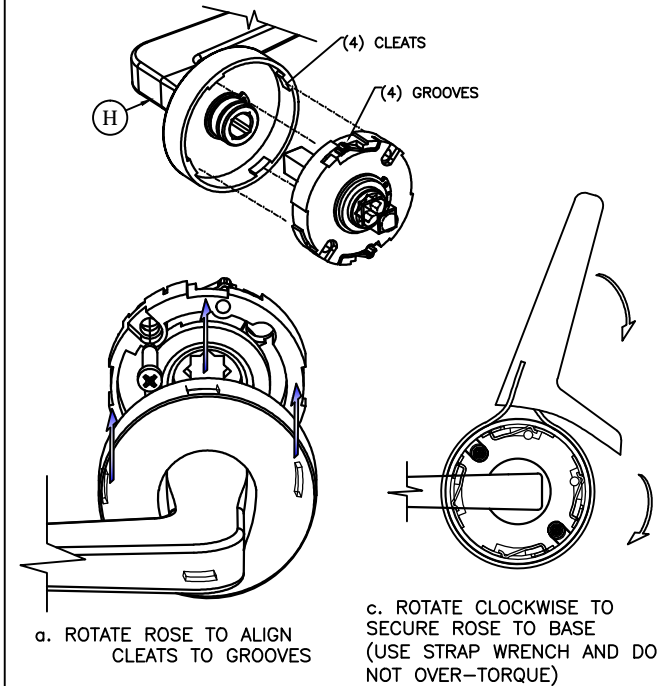
- A) Mortise Strike kit components
- B) Falcon MA Mortise lock
- C) Outside Lever/Rose trimset
- D) Inside Backplate Mounting Base
- E) Lock Cylinder
- F) Mounting screws
- G) Set Screws with Hex Wrench
- H) Inside Lever/Rose Trim
- I) Spindles (2)
- J) Turn Knob



BEFORE ASSEMBLING, CAREFULLY READ THE INSTALLATION INSTRUCTIONS.

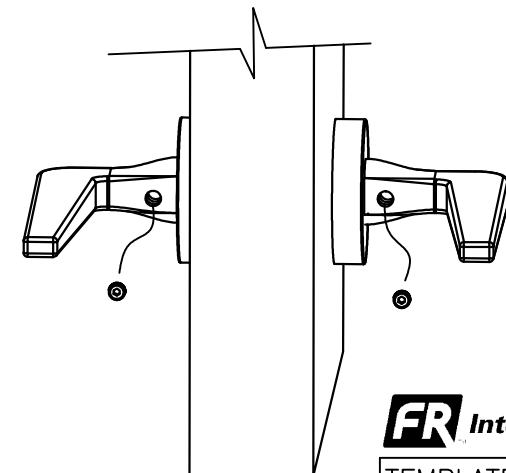
STEP 3)

- a. INSERT THE INSIDE LEVER/ROSE ASSEMBLY "H" OVER THE SPINDLE AND ROTATE THE ROSE ALONE TO ALIGN THE (4) CLEATS WITH (4) MATING GROOVES IN THE MOUNTING BASE.
- b. ONCE ALIGNED, PUSH FIRMLY UNTIL THE ROSE IS UP AGAINST THE SURFACE OF THE DOOR.
- c. USING THE FRASCIO SUPPLIED STRAP WRENCH, ROTATE THE ROSE CLOCK-WISE APPROXIMATELY 15'-20' UNTIL IT IS SEATED PROPERLY.



STEP 4)

- a. INSERT THE LEVER SET SCREWS IN THE OUTSIDE AND INSIDE LEVER AND TIGHTEN FIRMLY WITH HEX WRENCH SUPPLIED.

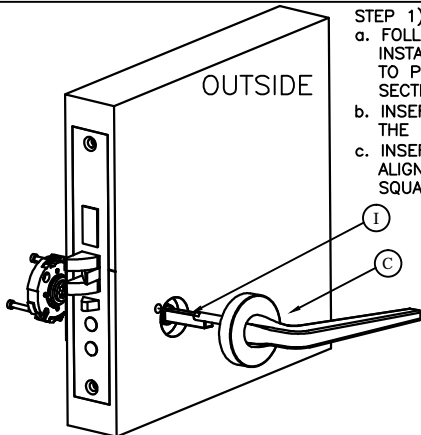


FR International

TEMPLATE: IT-126

STEP 1)

- a. FOLLOW THE LOCK MANUFACTURERS INSTRUCTIONS INSTALLING THE MORTISE LOCK CASE. USE DP-126 TO PREPARE DOOR FOR FR INTERNATIONAL SECTIONAL TRIM.
- b. INSERT THE OUTSIDE LEVER SPINDLE "I" INTO THE MORTISE LOCKCASE.
- c. INSERT THE OUTSIDE TRIMSET "C" CAREFULLY ALIGNING THE SPINDLE THROUGH APPROPRIATE SQUARE HOLE AND INTO THE LEVER.



STEP 2)

- a. INSERT THE SPINDLE "F" INTO THE MORTISE CASE HUB.
- b. ALIGN THE BACKPLATE MOUNTING BASE "D" TO THE APPROPRIATE SPINDLE HOLE AND SLIDE DOWN TO THE FACE OF THE DOOR.
- c. INSERT (2) MOUNTING SCREWS "B" AND TIGHTEN FIRM--DO NOT OVER-TORQUE SCREWS TO PREVENT DOOR COMPRESSION.
- d. INSTALL THE TURN KNOB IF REQUIRED.
- e. INSTALL THE LOCKING CYLINDER IF REQUIRED.

