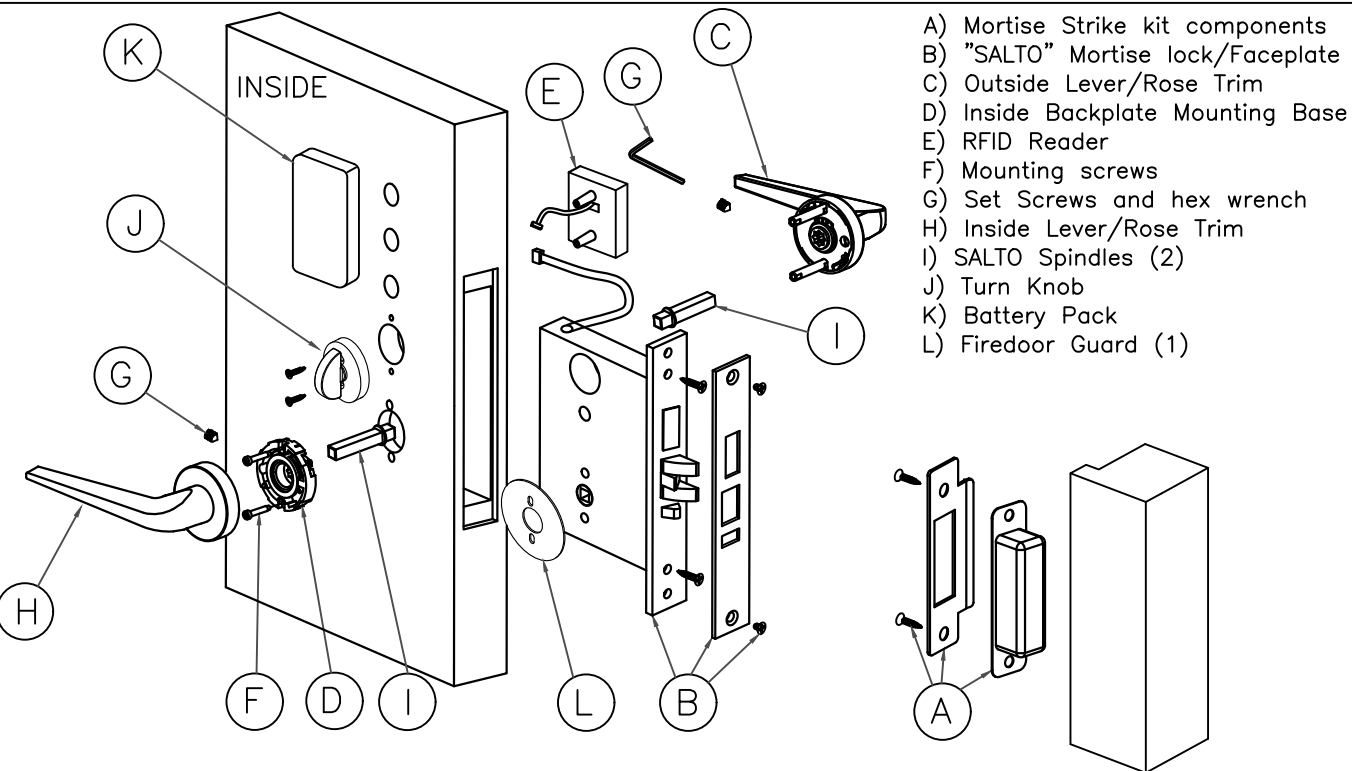
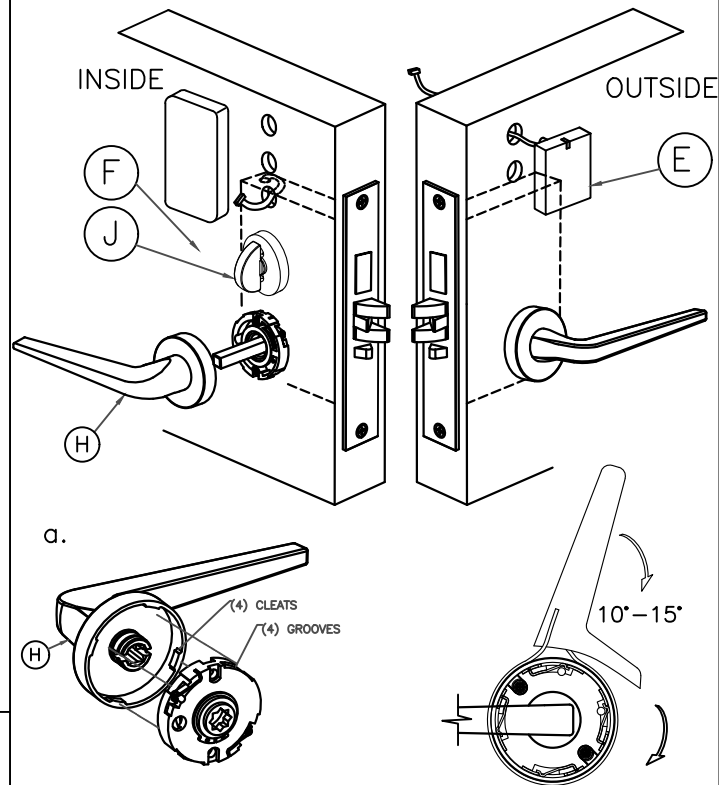


IT-125, INSTALLATION INSTRUCTIONS FOR SM SERIES SECTIONAL TRIM ON "SALTO AELEMENT" MORTISE LOCKSET, ELECTRONIC

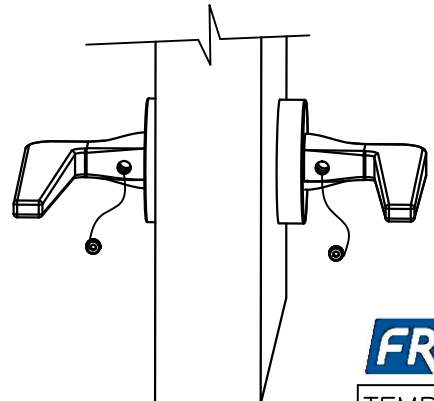


BEFORE ASSEMBLING, CAREFULLY READ THE INSTALLATION INSTRUCTIONS.

- STEP 3)
 a. ONCE THE MOUNTING BASE IS INSTALLED, INSERT THE INSIDE LEVER/ROSE ASSEMBLY "H" OVER THE SPINDLE AND ROTATE THE ROSE ALONE TO ALIGN THE (4) CLEATS INSIDE THE ROSE, WITH (4) MATING GROOVES IN THE MOUNTING BASE, ATTACHED TO THE DOOR. SEE IMAGE "a" BELOW.
 b. ONCE ALIGNED, PUSH FIRMLY UNTIL THE ROSE IS UP AGAINST THE SURFACE OF THE DOOR.
 c. USING THE FRASCIO SUPPLIED STRAP WRENCH, ROTATE THE ROSE CLOCK-WISE APPROXIMATELY 15° UNTIL THE LOCKING SPRINGS ENGAGE.

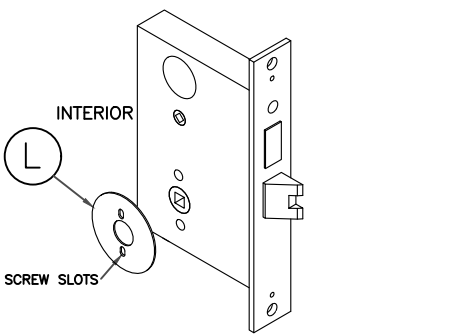


- STEP 4)
 a. INSERT THE LEVER SET SCREWS IN THE OUTSIDE AND INSIDE LEVER AND TIGHTEN FIRMLY WITH HEX WRENCH SUPPLIED.
 b. CHECK LOCKSET FOR NORMAL OPERATION.

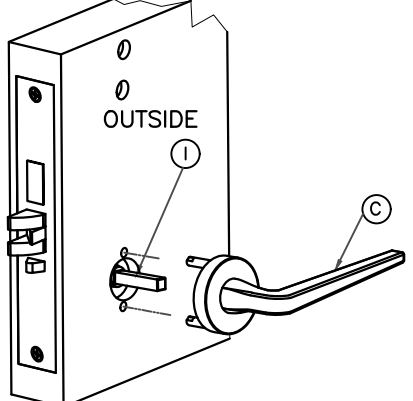


TEMPLATE: IT-125

- STEP 1)
 a. PREPARE THE DOOR USING APPROPRIATE DP-183, DP-184, DP-185, DP-186 DOOR PREP GUIDE.
 b. APPLY THE FIRE DOOR GUARD "L" TO INTERIOR SIDE OF LOCK CASE. ATTACH THE FIREDOOR GUARD BY ALIGNING THE SCREW SLOTS WITH THE THRU HOLES IN THE LOCK CASE. REMOVE THE TAPE TO EXPOSE THE ADHESIVE AND "CAREFULLY" ALIGN AND ADHERE TO INSIDE SIDE OF THE LOCK CASE.
 c. INSERT LOCKCASE INTO DOOR CAVITY AND SECURE WITH FASTENERS.



- STEP 2)
 a. FOLLOW THE LOCK MANUFACTURERS INSTRUCTIONS INSTALLING THE MORTISE LOCK CASE WITH WIRING DIAGRAM AND PROPER CONNECTIONS.
 b. USE FRASCIO DOOR PREP GUIDE, DP-183, DP-184 DP-185, DP-186 DEPENDING ON FUNCTION, FOR SECTIONAL TRIM DOOR PREP.
 c. INSERT THE OUTSIDE LEVER SPINDLE "I" INTO THE MORTISE LOCKCASE.
 d. INSERT THE OUTSIDE TRIMSET "C" CAREFULLY ALIGNING THE SPINDLE THROUGH APPROPRIATE SQUARE HOLE AND INTO THE LEVER.



- STEP 3)
 a. INSERT THE SPINDLE "I" INTO THE MORTISE CASE HUB.
 b. ALIGN THE BACKPLATE MOUNTING BASE "D" TO THE APPROPRIATE SPINDLE HOLE AND SLIDE DOWN TO THE FACE OF THE DOOR.
 c. INSERT (2) MOUNTING SCREWS "F" AND TIGHTEN FIRM--DO NOT OVER-TORQUE SCREWS THIS WILL PREVENT DOOR COMPRESSION.
 d. INSERT THE TURN KNOB ASSEMBLY "J" INTO THE TURN KNOB HUB AND FASTEN SECURELY WITH THE (2) PROVIDED SCREWS. MAKE SURE TURN KNOB ROSE MOUNTING HOLES ARE ALIGNED VERTICALLY.

