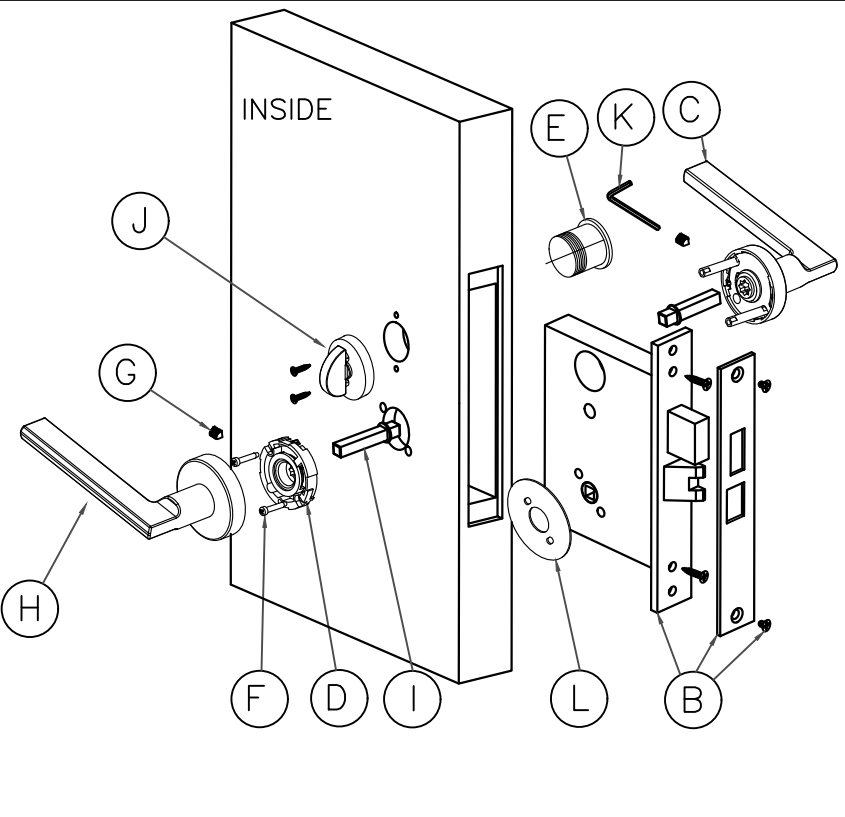
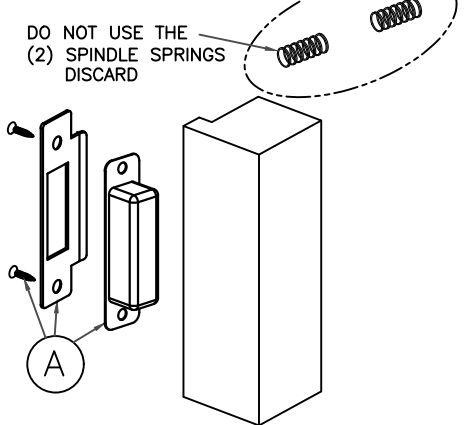


IT-124, INSTALLATION INSTRUCTIONS FOR SM SERIES SECTIONAL TRIM ON SCHLAGE "L" MORTISE LOCKSET



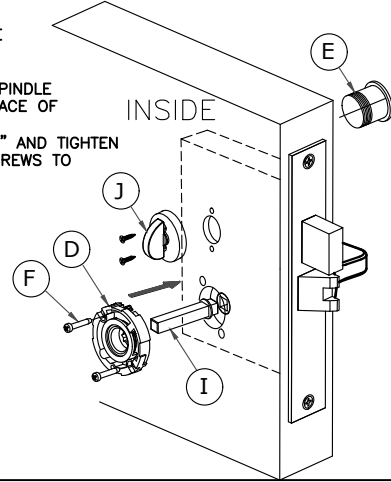
- A) Mortise Strike kit components
- B) Mortise lock/Faceplate
- C) Outside Lever/Rose trimset
- D) Inside Backplate Mounting Base
- E) Lock Cylinder
- F) Mounting screws (2)
- G) Set Screws, Lever (2)
- H) Inside Lever/Rose Trim
- I) Spindle (2)
- J) Turn Knob
- K) Hex Wrench
- L) Firedoor Guard (1)



BEFORE ASSEMBLING, CAREFULLY READ THE INSTALLATION INSTRUCTIONS.

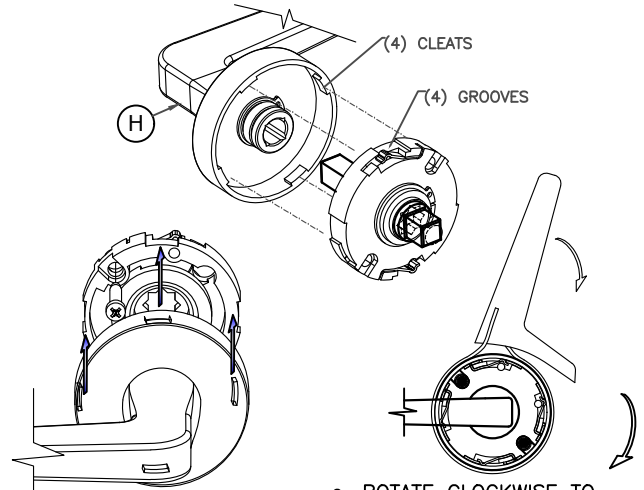
STEP 3)

- a. INSERT THE SPINDLE "I" INTO THE INSIDE MORTISE CASE HUB.
- b. ALIGN THE BACKPLATE MOUNTING BASE "D" TO THE APPROPRIATE SPINDLE HOLE AND SLIDE DOWN TO THE FACE OF THE DOOR.
- c. INSERT (2) MOUNTING SCREWS "F" AND TIGHTEN FIRM—DO NOT OVER-TORQUE SCREWS TO PREVENT DOOR COMPRESSION.
- d. INSTALL THE TURN KNOB "J" IF REQUIRED.
- e. INSTALL THE LOCKING CYLINDER "E" IF REQUIRED.



STEP 4)

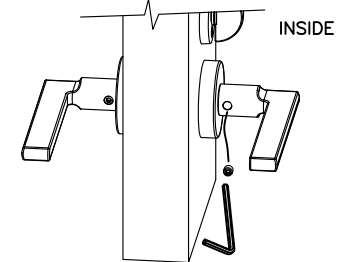
- a. INSERT THE INSIDE LEVER/ROSE ASSEMBLY "H" OVER THE SPINDLE AND ROTATE THE ROSE ALONE TO ALIGN THE (4) CLEATS WITH (4) MATING GROOVES IN THE MOUNTING BASE.
- b. ONCE ALIGNED, PUSH FIRMLY UNTIL THE ROSE IS UP AGAINST THE SURFACE OF THE DOOR.
- c. USING A STRAP WRENCH, ROTATE THE ROSE CLOCK-WISE APPROXIMATELY 15°-20° UNTIL IT IS SEATED PROPERLY.



- a. ROTATE ROSE TO ALIGN CLEATS TO GROOVES
- c. ROTATE CLOCKWISE TO SECURE ROSE TO BASE (USE STRAP WRENCH AND DO NOT OVER-TORQUE)

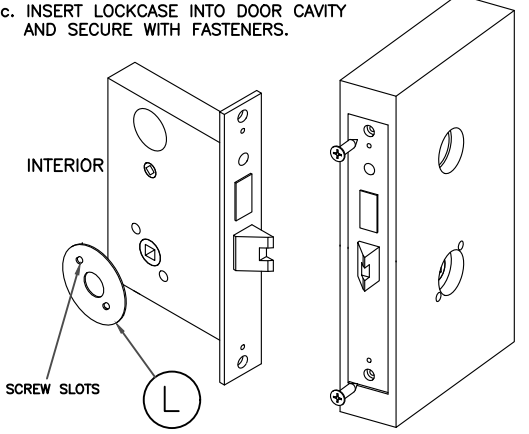
STEP 5)

- a. INSERT THE LEVER SET SCREWS IN THE OUTSIDE AND INSIDE LEVER AND TIGHTEN FIRMLY WITH HEX WRENCH SUPPLIED.



STEP 1)

- a. PREPARE THE DOOR USING DP-124 DOOR PREP GUIDE.
- b. APPLY THE FIRE DOOR GUARD "L" TO INTERIOR SIDE OF LOCK CASE. ATTACH THE FIRE DOOR GUARD BY ALIGNING THE SCREW SLOTS WITH THE THRU HOLES IN THE LOCK CASE. REMOVE THE TAPE TO EXPOSE THE ADHESIVE AND "CAREFULLY" ALIGN AND ADHERE TO INSIDE SIDE OF THE LOCK CASE.
- c. INSERT LOCKCASE INTO DOOR CAVITY AND SECURE WITH FASTENERS.



STEP 2)

- a. FOLLOW THIS FR INTERNATIONAL INSTRUCTIONS INSTALLING THE MORTISE LOCK.
- b. INSERT THE OUTSIDE LEVER SPINDLE "I" INTO THE MORTISE LOCKCASE.
- c. INSERT THE OUTSIDE TRIMSET "C" CAREFULLY ALIGNING THE SPINDLE THROUGH APPROPRIATE SQUARE HOLE AND INTO THE LEVER.
- d. INSERT THE 2 MOUNTING POST INTO THE APPROPRIATE HOLES IN THE DOOR.

