

Description:
**HP PLAIN BEARING HINGE,
 GENERIC**

TOLERANCES UNLESS OTHERWISE SPECIFIED:
 X.X (METRIC) = ±0.5
 X.XX (METRIC) = ±0.15
 0.00" (UNIFIED) = ±.015"
 0.000" (UNIFIED) = ±.005"

Drawing No:
HP PLAIN BEARING

Drawn By: **JWB**

Orig.Date: **12-12-25**

Rev. Date: **12-15-25**

Rev.: **A**

FR International
 1011 3rd Avenue S.W. Carmel, IN. 46032

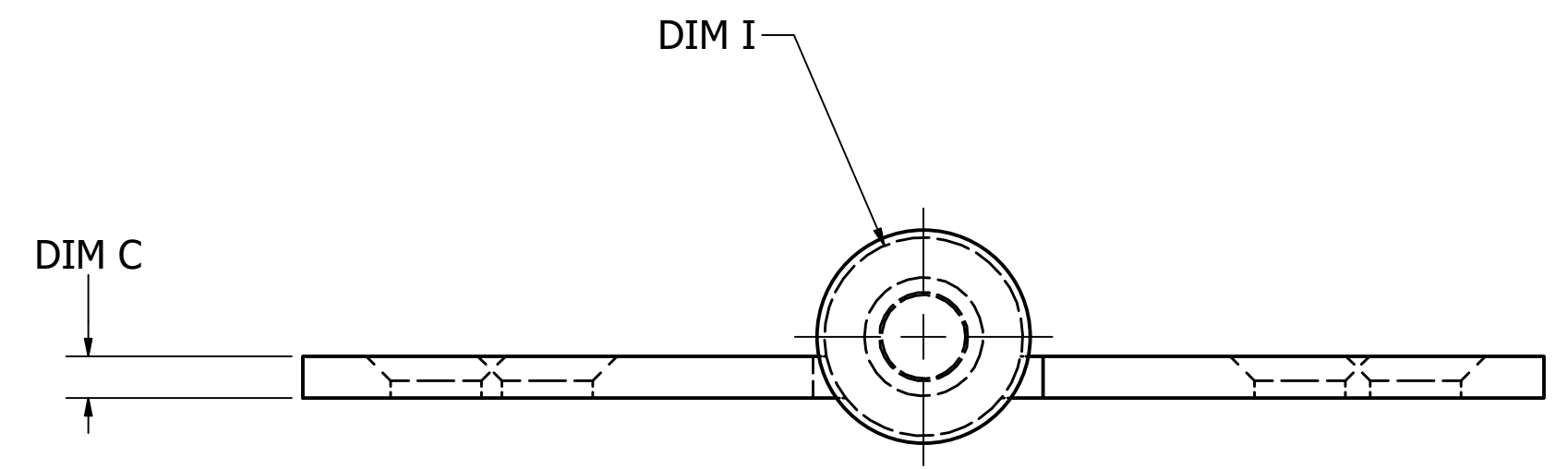
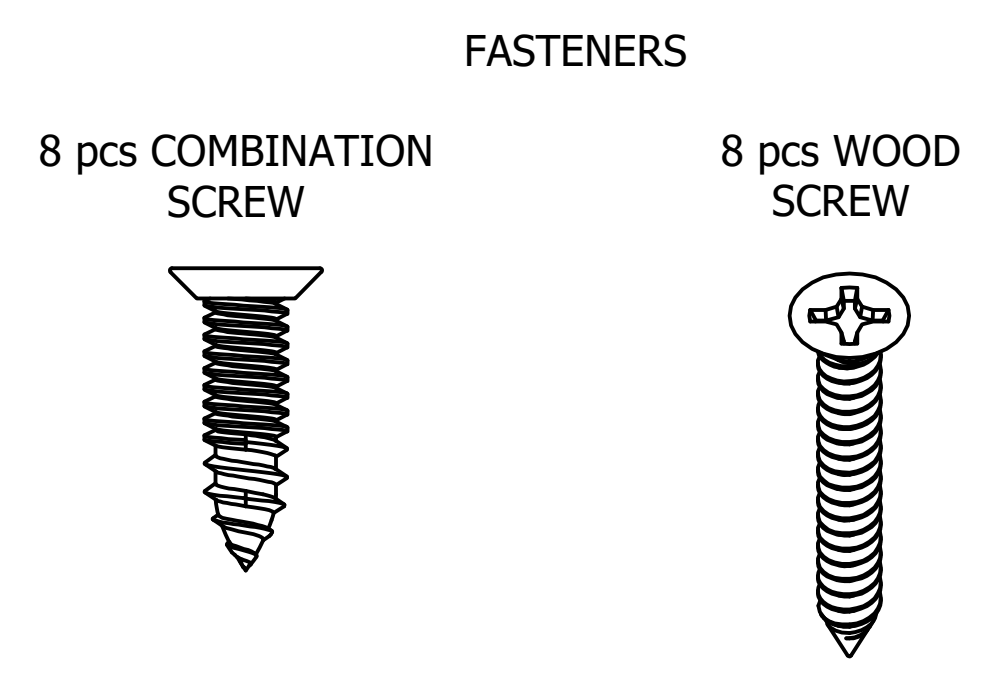
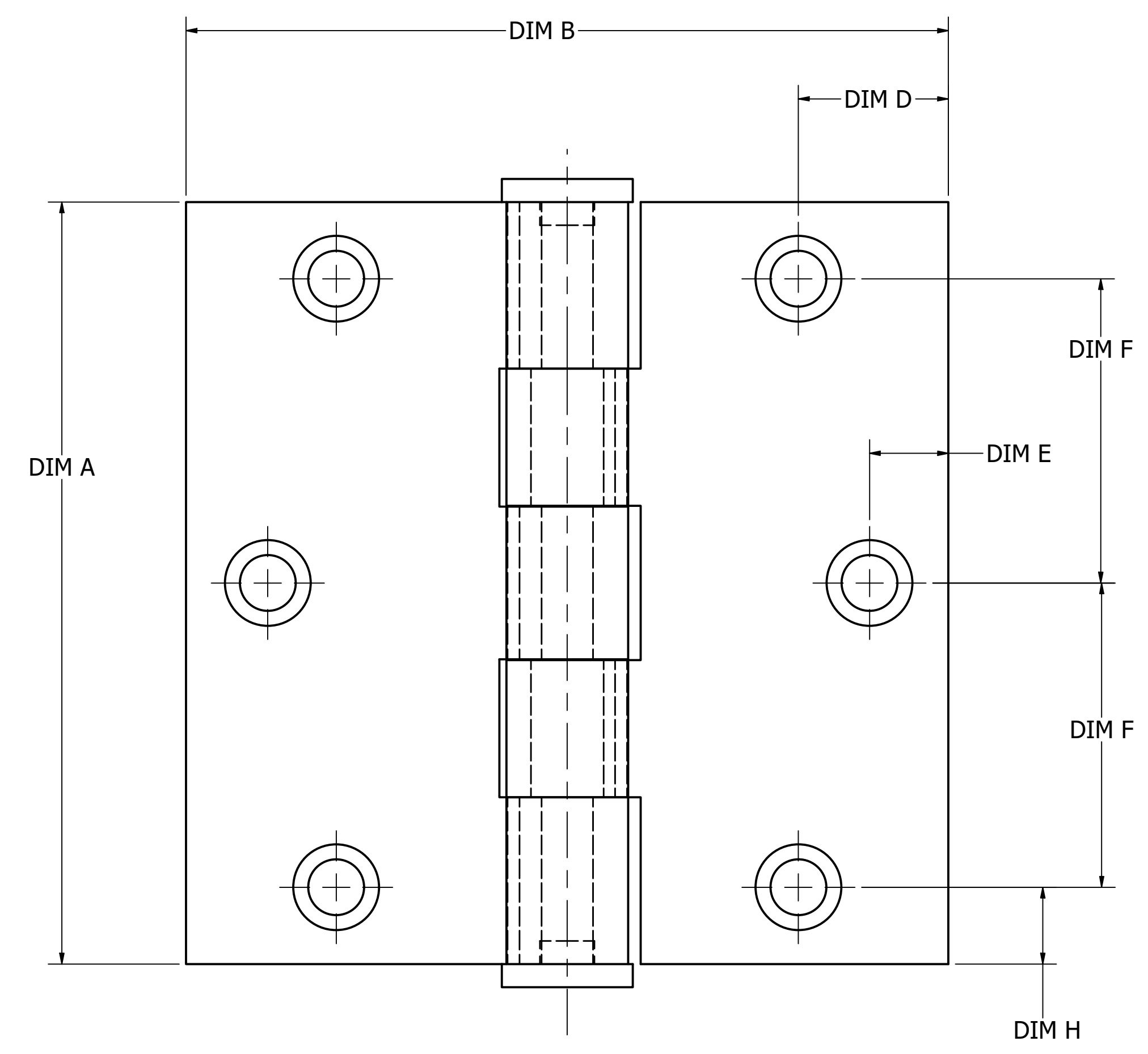


TABLE (ALL DIMENSIONS IN "INCHES")

Drawing No.	Model No.	Dim A	Dim B	Dim C	Dim D	Dim E	Dim F	Dim G	DIM H	DIM I
6 HOLE MOUNTING										
	HP 3.5 x 3.5	3.50	3.50	.119	.689	.362	.689		.352	.559
8 HOLE MOUNTING										
	HP 4.0 x 4.0	4.0	4.0	.129	.750	.394	1.000	1.000	.500	.559
	HP 4.5 x 4.0	4.5	4.0	.134	.750	.394	1.125	1.234	.500	.598
	HP 4.5 x 4.5	4.5	4.5	.134	1.000	.375	1.125	1.234	.500	.598
	HP 5.0 x 4.5	5.0	4.5	.145	1.000	.375	1.250	1.480	.500	.717

**6 HOLE MOUNTING
 (3.50 x 3.50 ONLY)**



8 HOLE MOUNTING

