

NOTES:
 1) DIMENSIONS ARE "NOT TO SCALE", THIS TEMPLATE IS FOR DIMENSIONAL LOCATIONS ONLY.
 2) STRIKE LOCATION ON FRAME MUST BE ADJUSTED FOR THICKNESS OF DOOR SILENCERS, WHEN USED.

Description:
PB70 PRIVACY BOLT,
 TK x CT TRIM, 70mm(2-3/4")BACKSET



TOLERANCES UNLESS OTHERWISE SPECIFIED:
 X.X (METRIC)= ±0.5
 X.XX(METRIC)= ±0.15
 0.00"(UNIFIED)= ±.015"
 0.000"(UNIFIED)= ±.005"

Drawing No:
DP-481

Drawn By: **JWB**

Orig.Date **02-20-25**

Rev. Date:

Rev.:

NOT TO SCALE

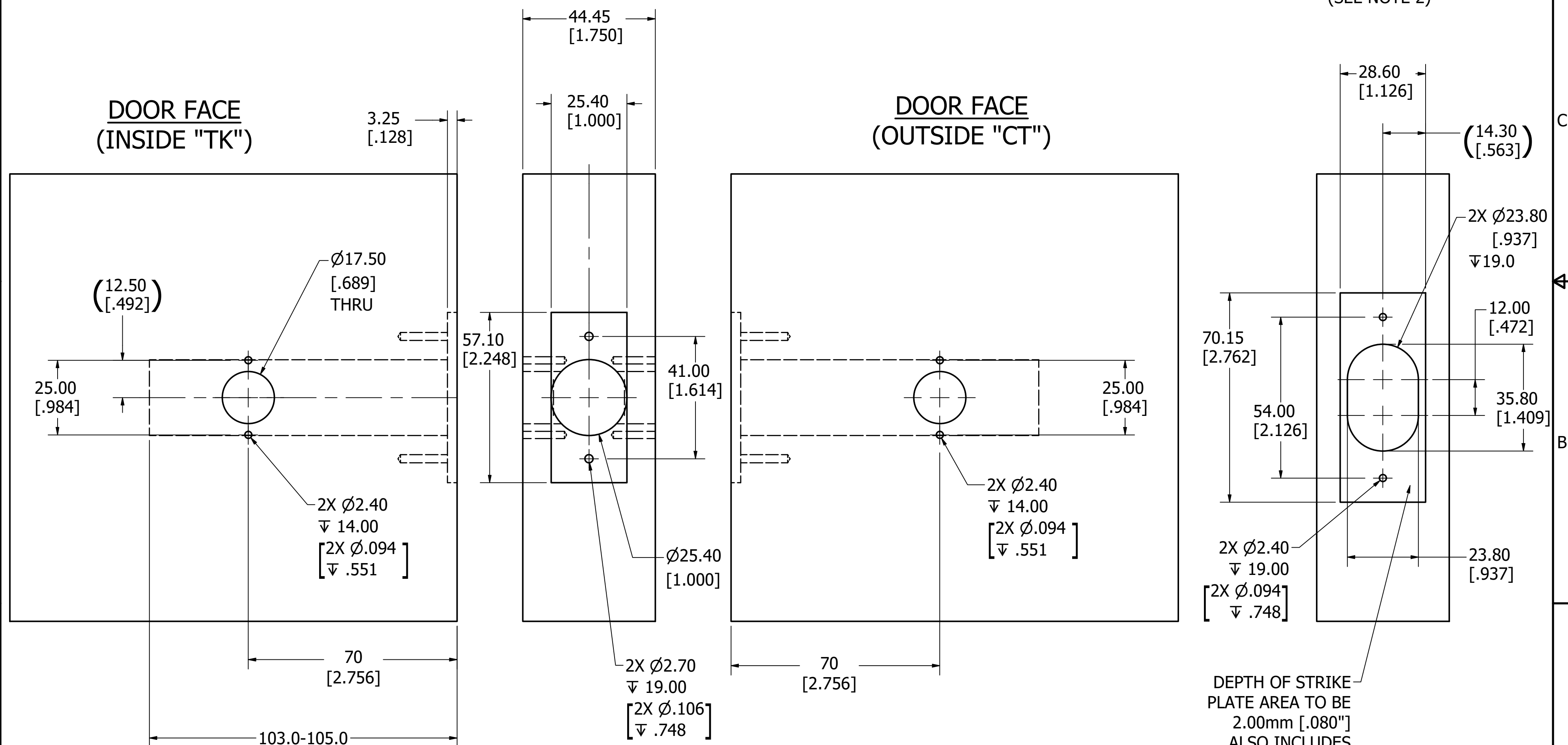
DOOR EDGE

STRIKE DIMENSIONS

(SEE NOTE 2)

DOOR FACE (INSIDE "TK")

DOOR FACE (OUTSIDE "CT")



NOT TO SCALE