

- NOTES:
- 1) NOT TO SCALE. DO NOT USE AS A 1:1 TEMPLATE.
 - 2) YIELD SYMBOL. DRILL THESE HOLES ONLY FOR APPROPRIATE LOCK FUNCTION OR THIS SIDE ONLY.
 - 3) RIGHT HAND (RH) SHOWN. FOR LEFT HAND (LH) APPLICATION, MIRROR THE DIMENSIONS FOR THE APPROPRIATE HANDING.
 - 4) FRONT PLATE WIDTH HAS 2 SELECTIONS: 1-1/4" OR 1-1/16". SELECT APPROPRIATE DIMENSION FOR LOCKSET ORDERED.

NOT TO SCALE

Description:
 SALTO AELEMENT FUSION DOOR PREP
 SM TRIM, NO TURN KNOB



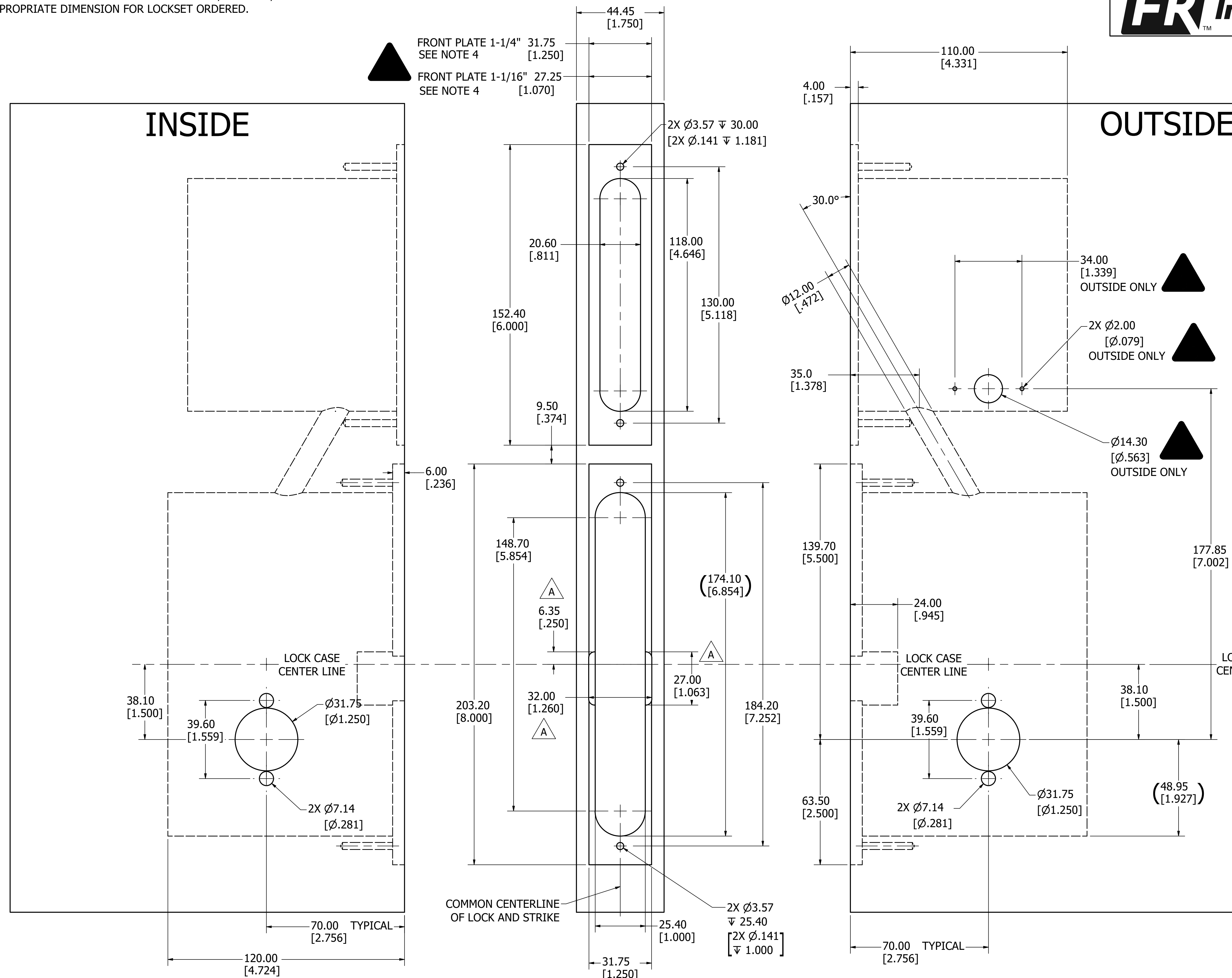
TOLERANCES UNLESS OTHERWISE SPECIFIED:
 X.X (METRIC) = ±0.5
 X.XX (METRIC) = ±0.15
 0.00" (UNIFIED) = ±.015"
 0.000" (UNIFIED) = ±.005"

Drawing No:
DP-448

Drawn By:
JDK

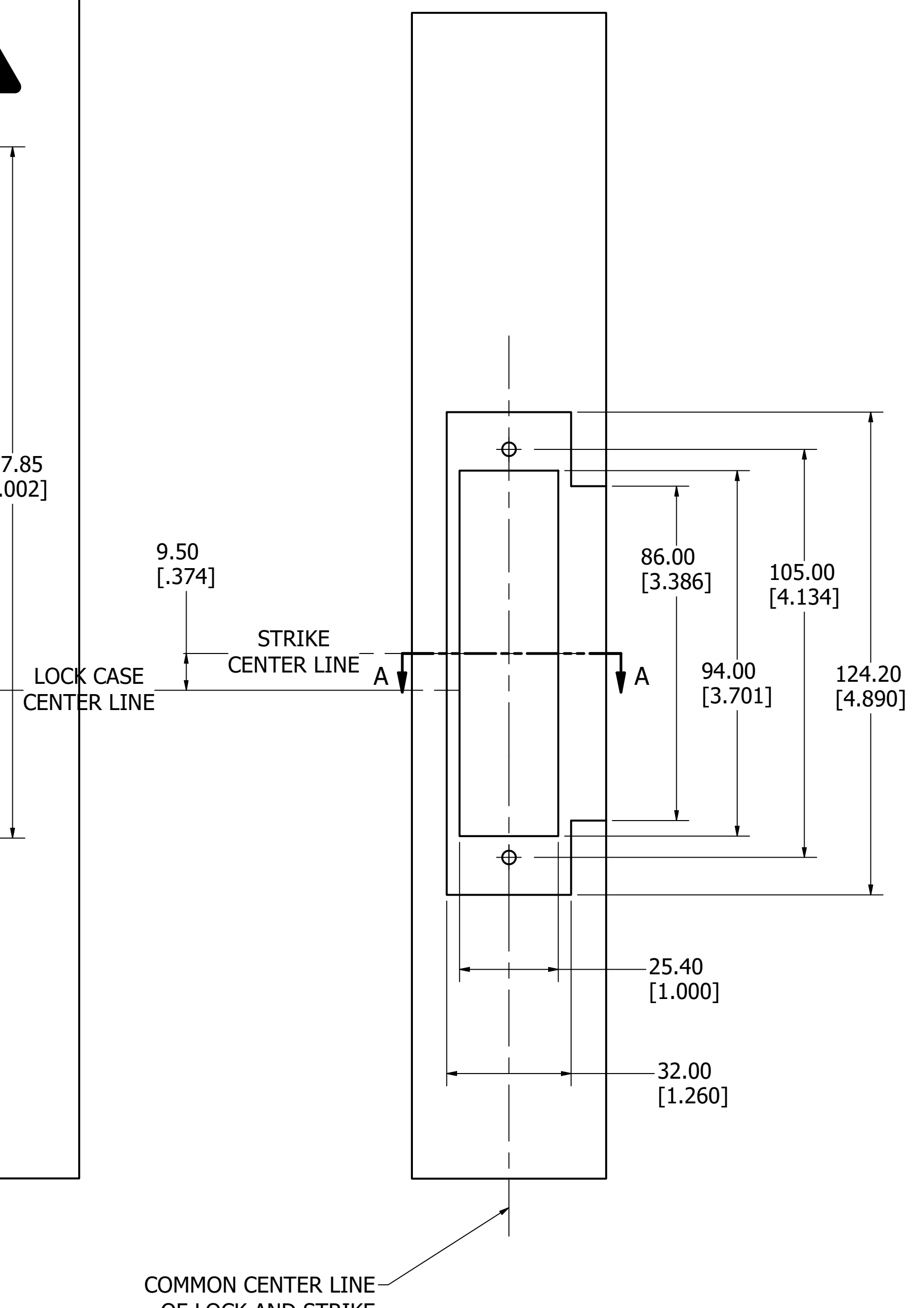
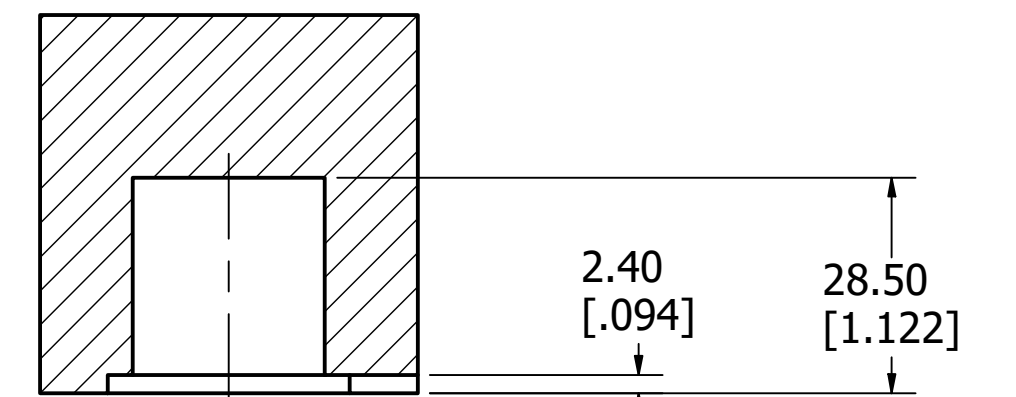
Orig. Date
02-29-24

Rev. Date: Rev.:



STRIKE FRAME

SECTION A-A



NOT TO SCALE

NOT TO SCALE