

- NOTES:
- 1) FUNCTION: PASSAGE (PA) OR PRIVACY (PY).
  - 2) DIMENSIONS "X" AND "Y" ARE VARIABLE DEPENDING ON DOOR THICKNESS.
  - 3) STRIKE LOCATION ON FRAMES MUST BE ADJUSTED FOR THICKNESS OF DOOR SILENCERS WHEN USED.
  - 4) FOR RIGHT HAND OPERATION, MIRROR DIMENSIONS TO OTHER SIDE OF JAMB.
  - 5) THIS DOOR PREP DRAWING IS NOT FULL SCALE--DO NOT USE AS FULL SIZE TEMPLATE.
  - 6) THIS TEMPLATE PROVIDES INFORMATION FOR BOTH PASSAGE AND PRIVACY LATCHES. ADDITIONAL HOLE "B" IS REQUIRED FOR PRIVACY LATCHES. HOLE "B" IS NOT REQUIRED FOR PASSAGE LATCH.
  - 7) DRILL HOLES "A" AND "B" IF REQUIRED, BEFORE HOLE "C". HOLES "A" ARE SMALLER THAN HOLE "B".
  - 8) IT IS BEST TO DRILL HALF-WAY THRU DOOR FROM EACH SIDE TO ELIMINATE DRILL WONDER/AXIAL MIS-ALIGNMENT. THIS SHOULD PROVIDE A MORE PRECISE HOLE PREP.

NOT FULL SCALE

Description:  
T700/RML TUBULAR DOOR PREP  
(RMLSTK1)

TOLERANCES UNLESS OTHERWISE SPECIFIED:  
X.X (METRIC)= ±0.5  
X.XX (METRIC)= ±0.15  
0.00" (UNIFIED)= ±.015"  
0.000" (UNIFIED)= ±.005"

Drawing No:  
**DP-386**

Drawn By: **JWB**

Orig.Date: **06-09-22**

Rev. Date:

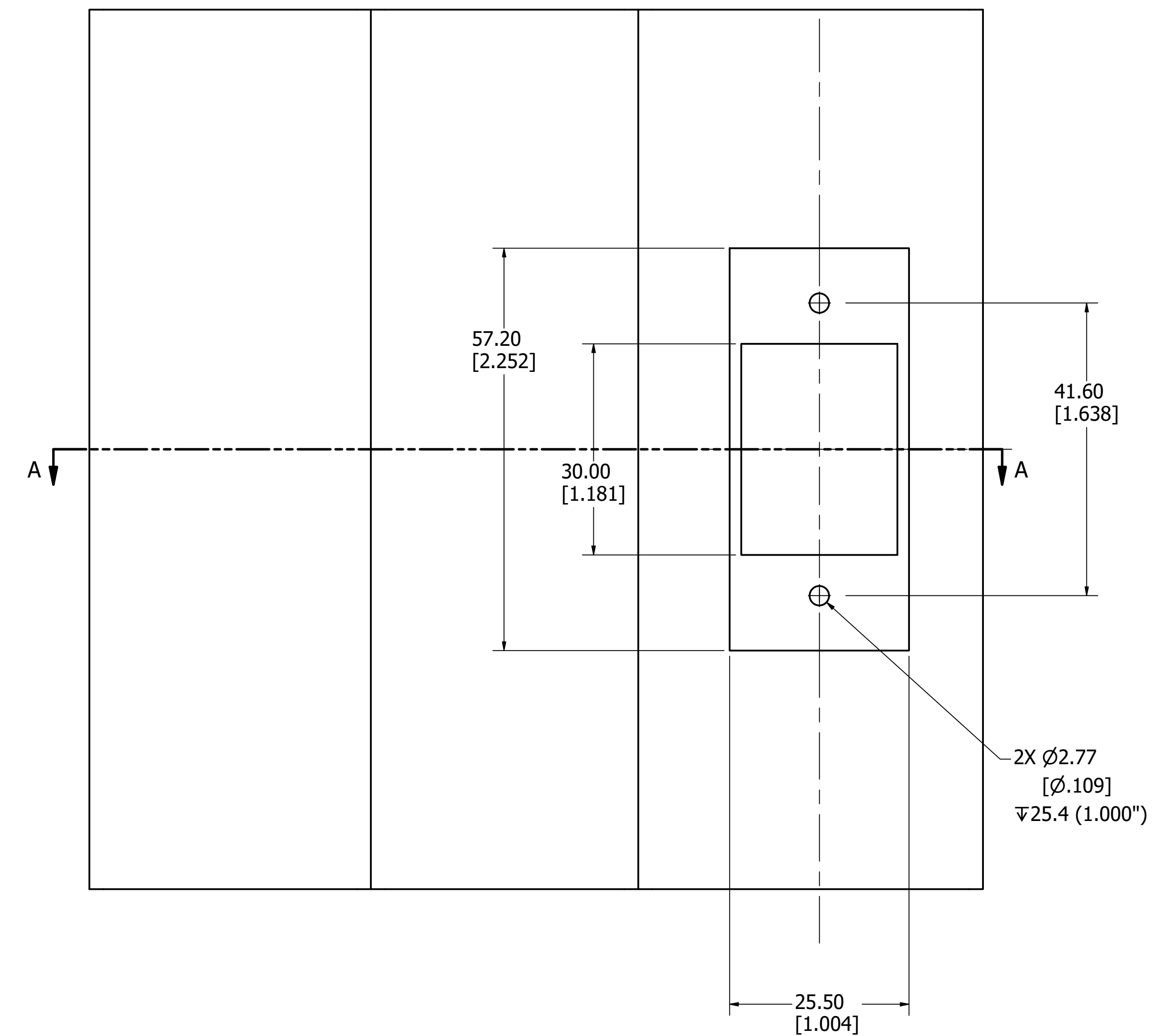
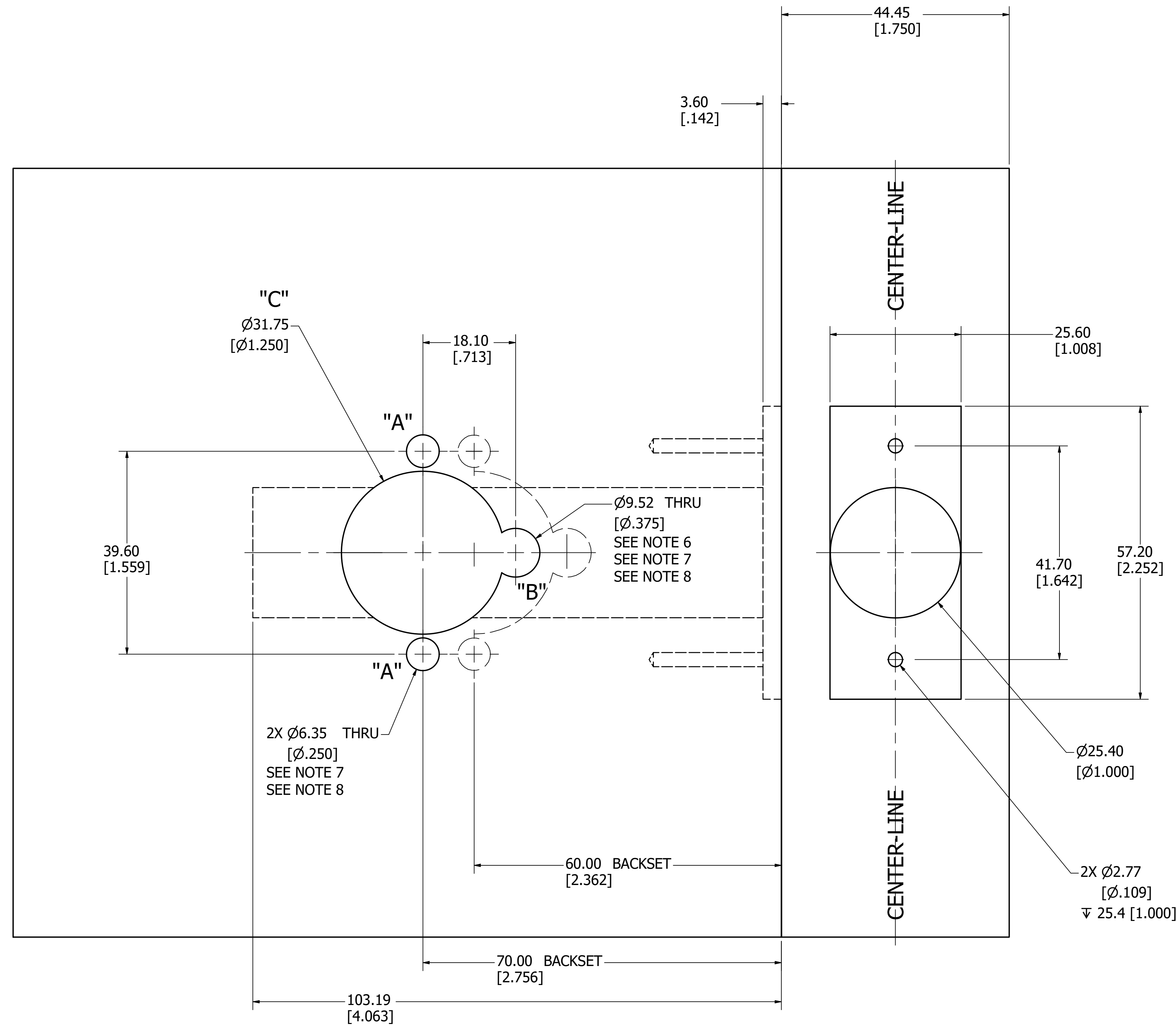
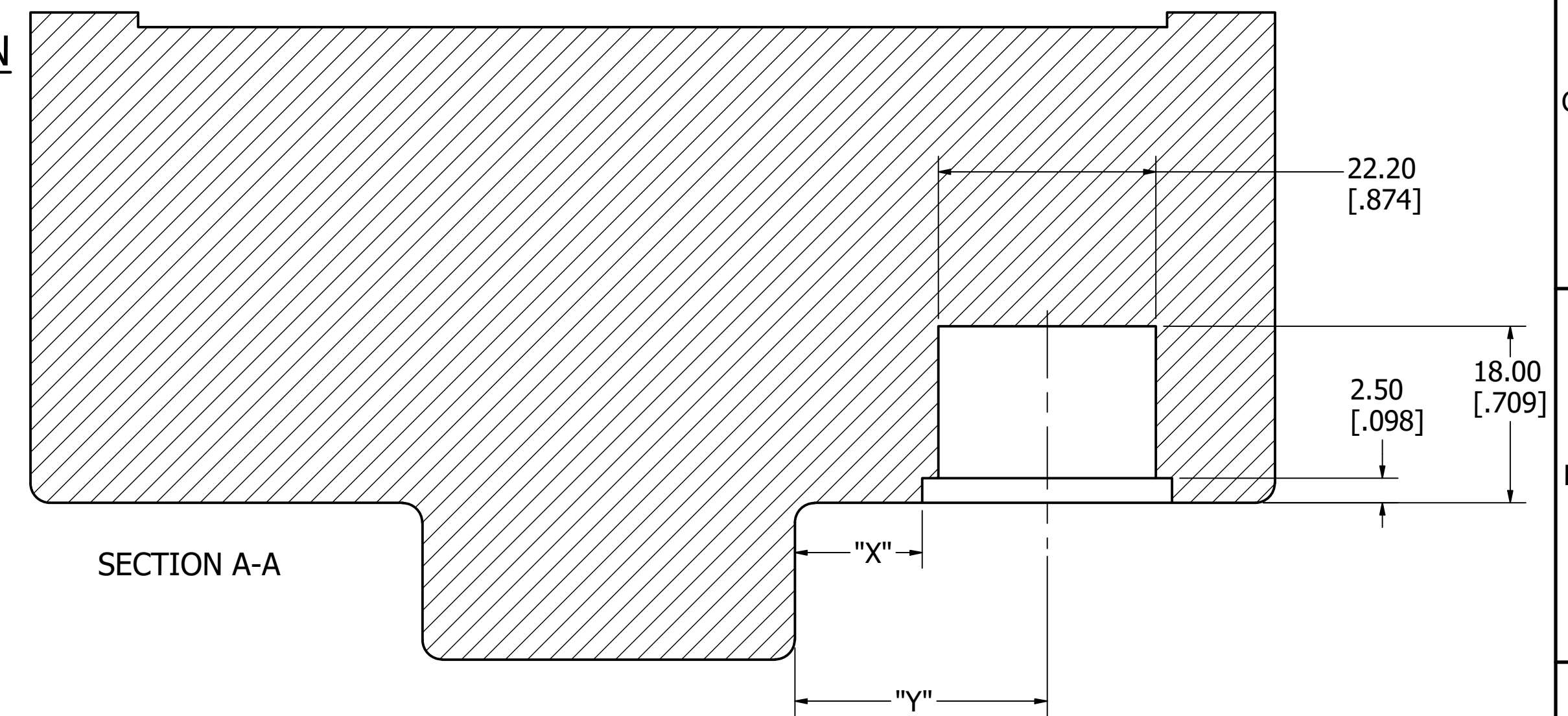
Rev.:



LATCH PREPARATION

RMLSTK1 STRIKE PREPARATION

(LEFT HAND SHOWN--SEE NOTE 4 FOR HANDING)



NOT FULL SCALE