

- NOTES: $\triangle B$
- 1) FOR OPPOSITE HANDING, MIRROR DIMENSIONS TO OTHER SIDE OF JAMB.
 - 2) SLIDING DOOR FUNCTIONS: SL5-13, SL5-15, SL5-19, SL5-26, SL5-57.
SWINGING DOOR FUNCTIONS DEADBOLT ONLY: M516, M517, M518, M529, M530 MORTISE LOCKS.

Description:
MSTK2 STRIKE PREP, LESS LIP
M500/SL5 DEADBOLT FUNCTIONS

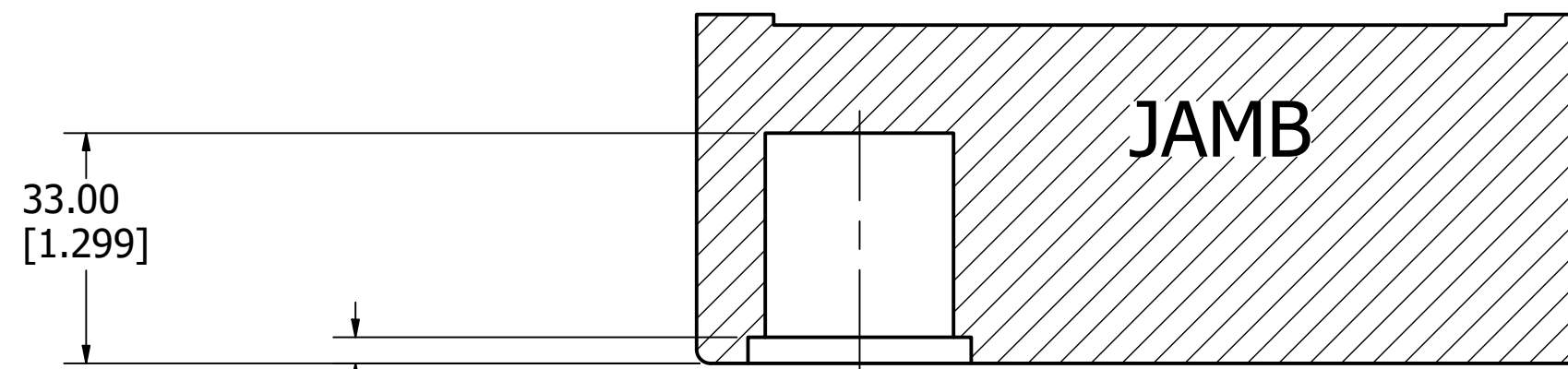
TOLERANCES UNLESS OTHERWISE SPECIFIED:
 X.X (METRIC) = ± 0.5
 X.XX (METRIC) = ± 0.15
 0.00" (UNIFIED) = ± 0.015 "
 0.000" (UNIFIED) = ± 0.005 "

Drawing No:
DP-349

Drawn By: **JWB**

Orig. Date: **11-08-21**

Rev. Date: **09-22-23 JWB** Rev.: **B**



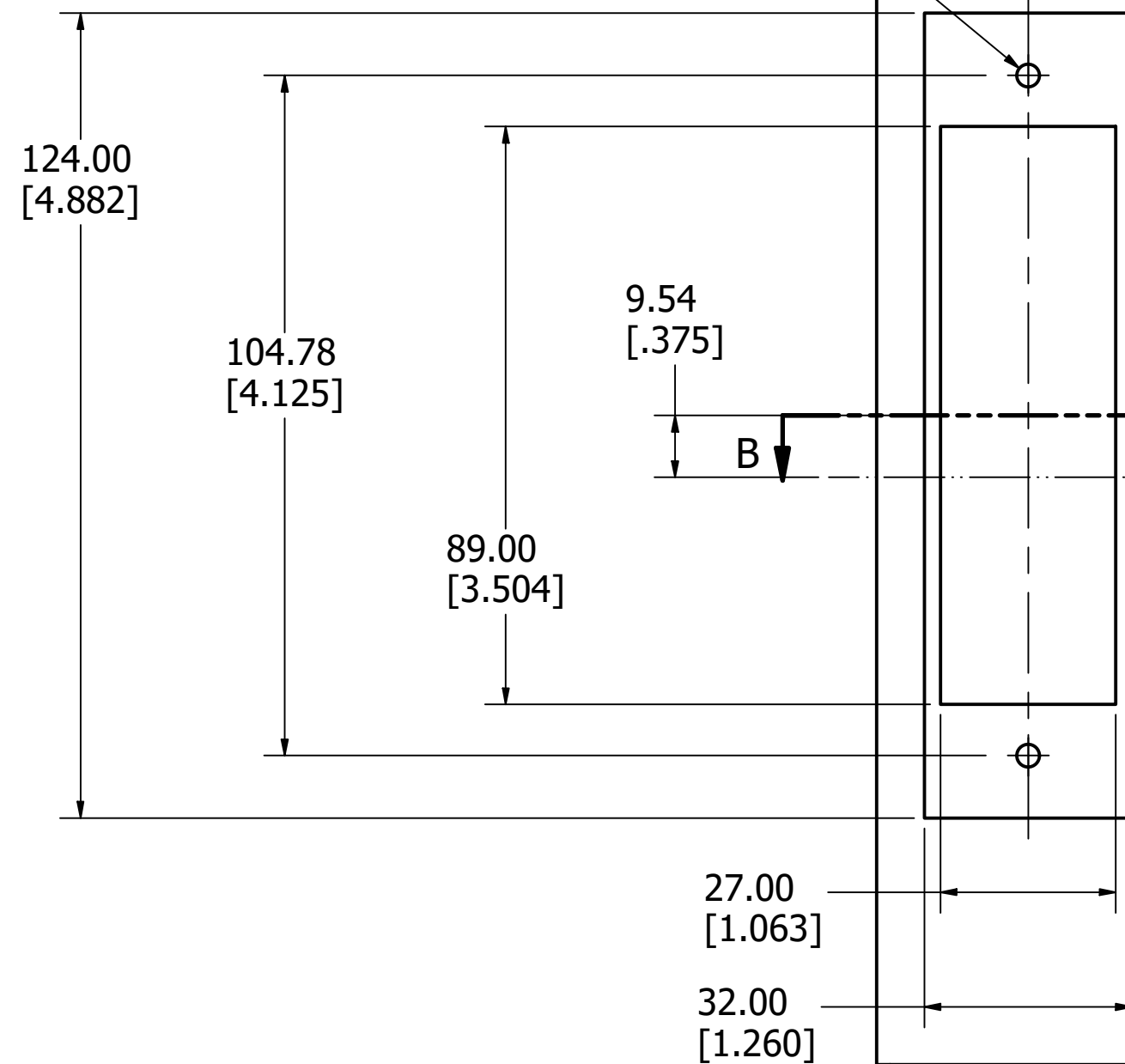
SECTION B-B

3.75 WITH DUST BOX
 [.148]
 2.50 LESS DUST BOX
 [.098]

TO BE DETERMINED BY
 GENERAL CONTRACTOR

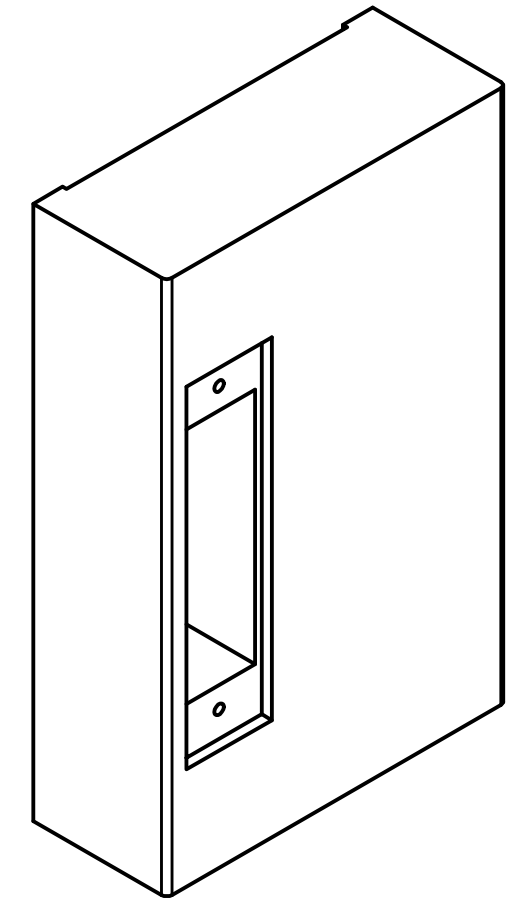
16.00
 [.630]

2X DRILL AND TAP
 FOR #12-24



TO BE DETERMINED BY
 GENERAL CONTRACTOR

SLIDING DOOR FRAME



SWINGING DOOR FRAME

