

- NOTES:
- 1) NOT TO SCALE. DO NOT USE AS A 1:1 TEMPLATE.
 - 2) YIELD SYMBOL. DRILL THESE HOLES ONLY FOR APPROPRIATE LOCK FUNCTION OR THIS SIDE ONLY.
 - 3) RIGHT HAND (RH) SHOWN. FOR LEFT HAND (LH) APPLICATION, MIRROR THE DIMENSIONS FOR THE APPROPRIATE HANDING.
 - 4) FRONT PLATE WIDTH HAS 2 SELECTIONS: 1-1/4" OR 1-1/16". SELECT APPROPRIATE DIMENSION FOR LOCKSET ORDERED.

NOT TO SCALE

Description:
SALTO AELEMENT FUSION
SM TRIM X TURN KNOB



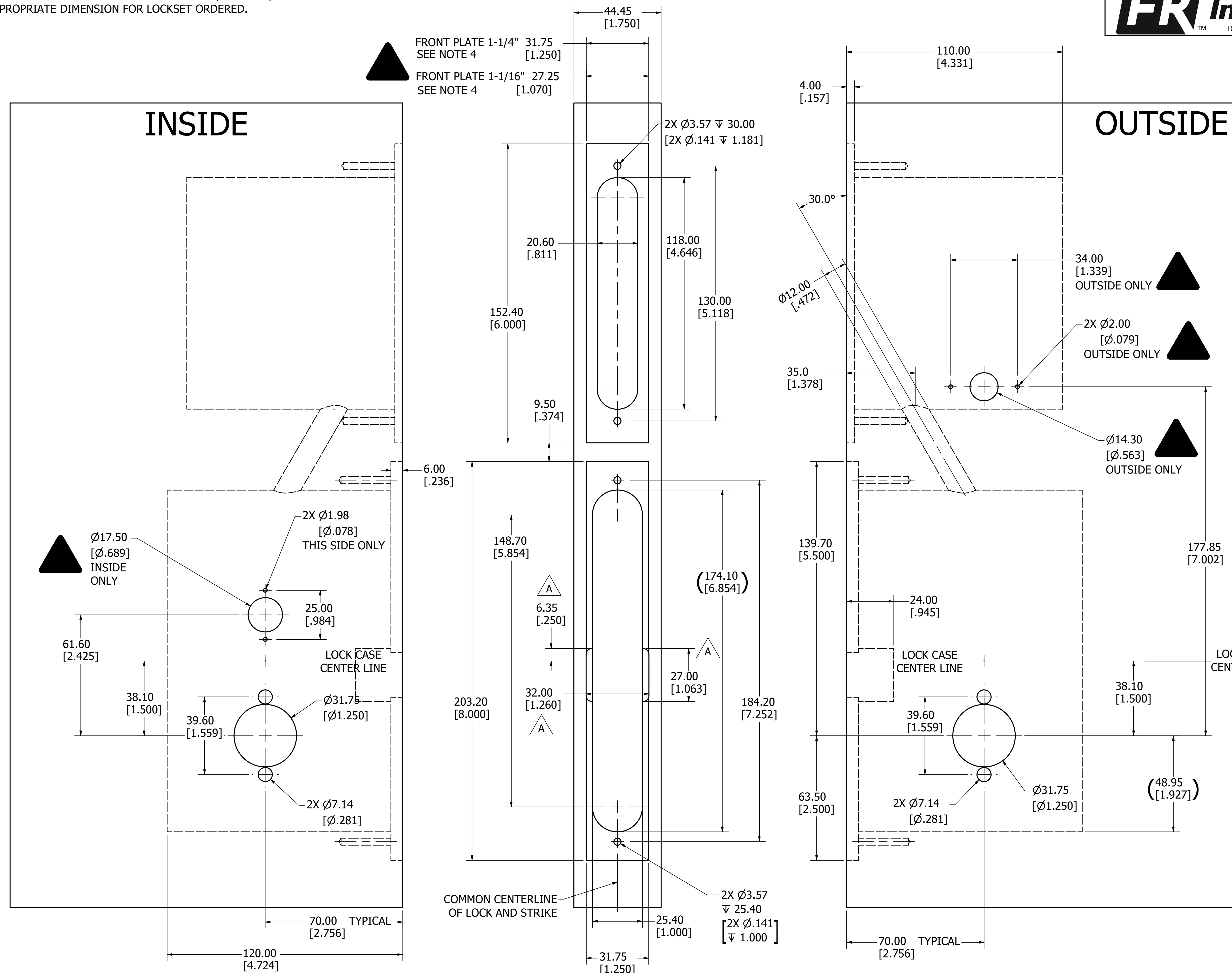
TOLERANCES UNLESS OTHERWISE SPECIFIED:
X.X (METRIC) = ±0.5
X.XX (METRIC) = ±0.15
0.00" (UNIFIED) = ±.015"
0.000" (UNIFIED) = ±.005"

Drawing No:
DP-302

Drawn By:
JWB

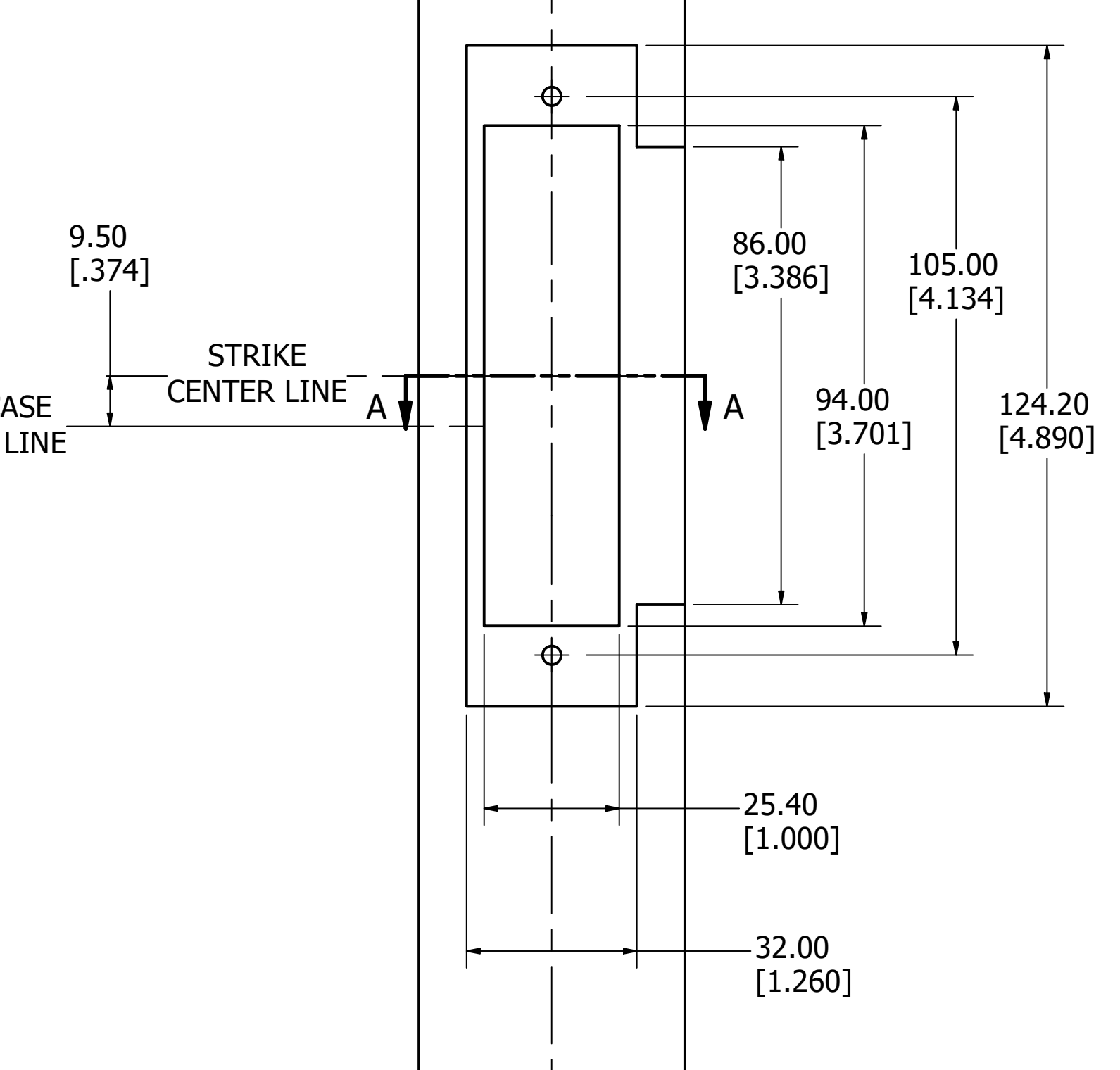
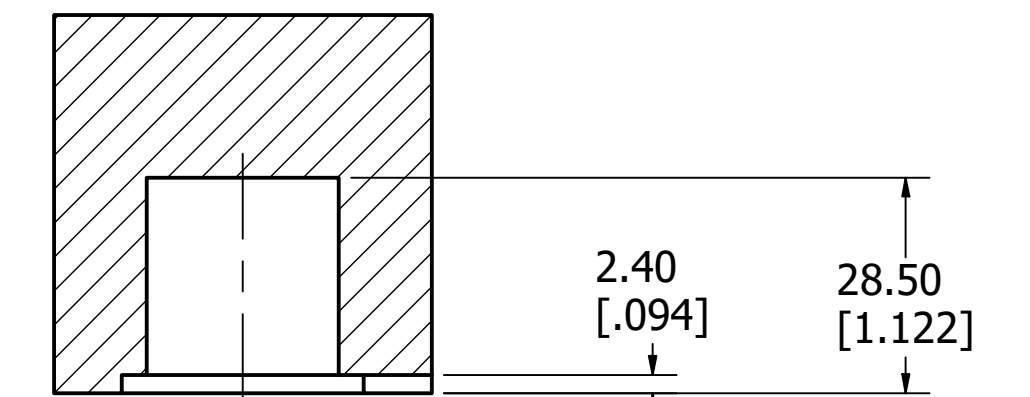
Orig. Date:
04-19-18

Rev. Date: 03-01-24 JDK Rev.: C



STRIKE FRAME

SECTION A-A



NOT TO SCALE

NOT TO SCALE