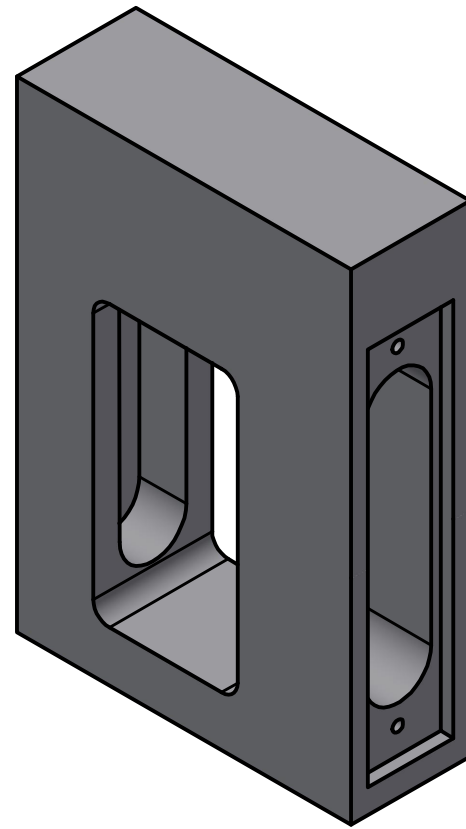


- NOTES:
 1) MATERIAL: WOOD.
 2) LOCATION TO BE DETERMINED BY GENERAL CONTRACTOR.
 3) DEPTH OF LOCK CASE CAVITY MUST BE AS SPECIFIED.



Description:
 SL2 x RT-1 TRIM DOOR PREP
 (PRIVACY)



TOLERANCES UNLESS OTHERWISE SPECIFIED:
 X.X (METRIC) = ±0.5
 X.XX (METRIC) = ±0.15
 0.00" (UNIFIED) = ±.015"
 0.000" (UNIFIED) = ±.005"

Drawing No:
 DP-300

Drawn By: JWB

Orig. Date: 11-30-17

Rev. Date: 02-12-24

Rev.: B

