

- NOTES:
 1) FUNCTION: PASSAGE (PA) AND PRIVACY (PY).
 2) FOR RIGHT HAND OPERATION, MIRROR DIMENSIONS TO OTHER SIDE OF JAMB.
 3) THIS DOOR PREP DRAWING IS NOT FULL SCALE--DO NOT USE AS FULL SIZE TEMPLATE.
 4) FOR STRIKE PREP, SEE DP-303.

NOT FULL SCALE

Description:
 T600 SERIES, 1-1/8" SQUARE CORNER
 UL LATCH, COMM-PASSAGE, BLIND PREP

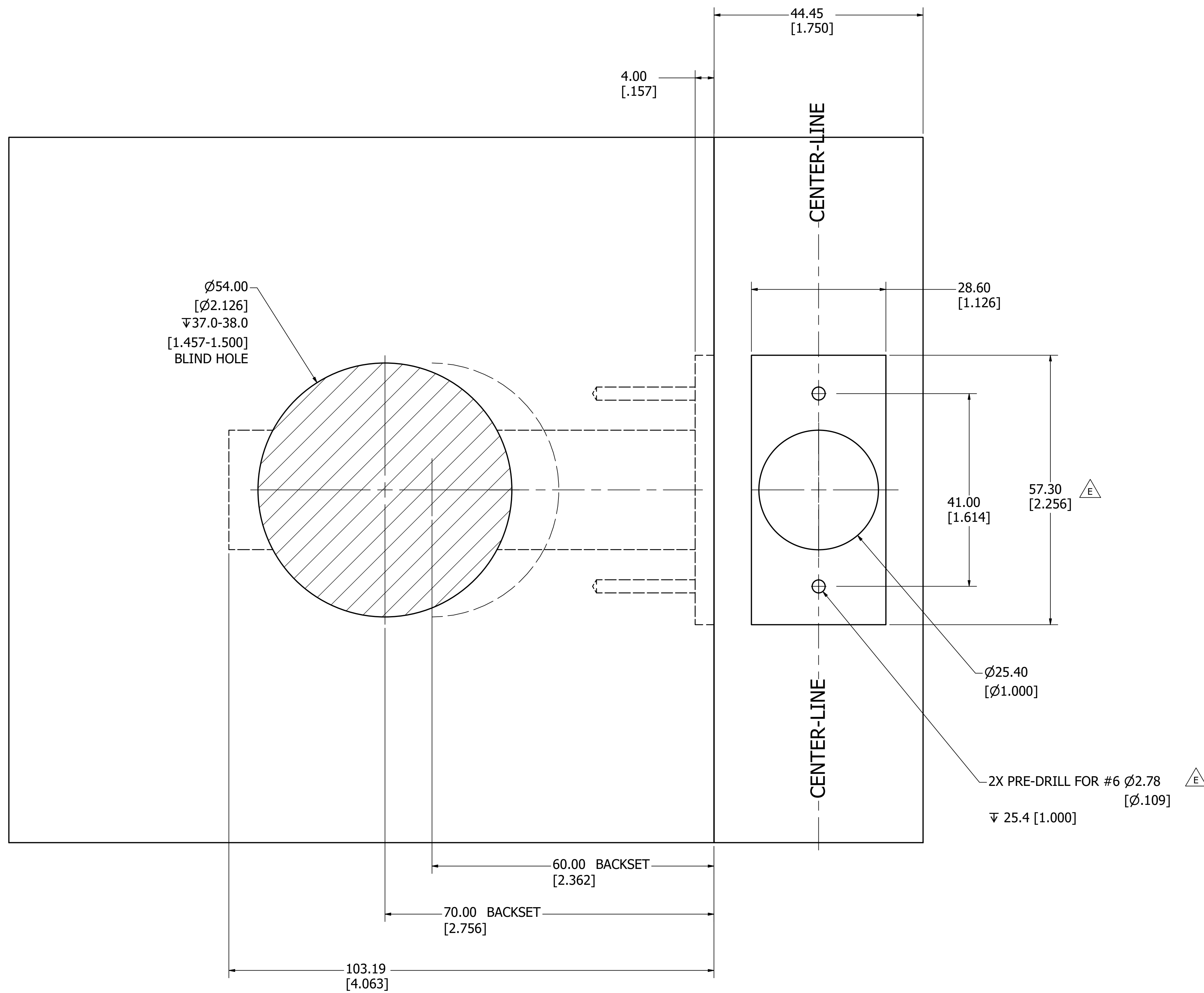
TOLERANCES UNLESS OTHERWISE SPECIFIED:
 X.X (METRIC)= ±0.5
 X.XX (METRIC)= ±0.15
 0.00" (UNIFIED)= ±.015"
 0.000" (UNIFIED)= ±.005"

Drawing No:
DP-134

Drawn By: **JDK**

Orig. Date: **03-24-11**

Rev. Date: **6-10-26 JWB** Rev.: **E**



NOT FULL SCALE