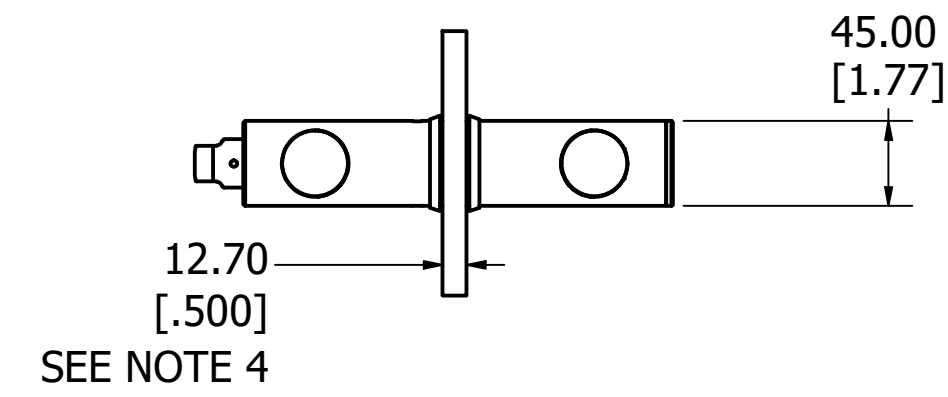


- NOTES:
- 1) MATERIAL: AS SPECIFIED ON PURCHASE ORDER.
 - 2) FINISH: AS SPECIFIED ON PURCHASE ORDER.
 - 3) WITH PROTECTIVE WASHERS AND SPACER BUSHINGS.
 - 4) SUBSTRATE: 1/2" GLASS.
 - 5) IMAGE/VIEWS "NOT TO SCALE".
 - 6) LOCKING MECHANISM: LFIC OR SFIC, AS SPECIFIED ON PURCHASE ORDER.
 - 7) APPLY 3 STRIPS OF ADHESIVE TO OUTSIDE OF STRIKE WALLS PRIOR TO INSERTION, INSERT INTO HOLE--LET STAND FOR 24 HRS OR UNTIL CURED. TAKE CAUTION NOT TO GET ANY ADHESIVE ON FINISH AS THIS MAY REMOVE THE FINISH.
 - 8) LOCKING BOLT PROJECTION MAY NEED ADJUSTMENTS AFTER INSTALLATION IS COMPLETED.



NOT TO SCALE

Description:
LDP1A1 813/1524 PULL
2-POST, TK, .50" GLASS



TOLERANCES UNLESS OTHERWISE SPECIFIED:
X.X (METRIC)= ±0.5
X.XX (METRIC)= ±0.15
0.00" (UNIFIED)= ±.015"
0.000" (UNIFIED)= ±.005"

Drawing No:
A-6445

Drawn By: **JWB**

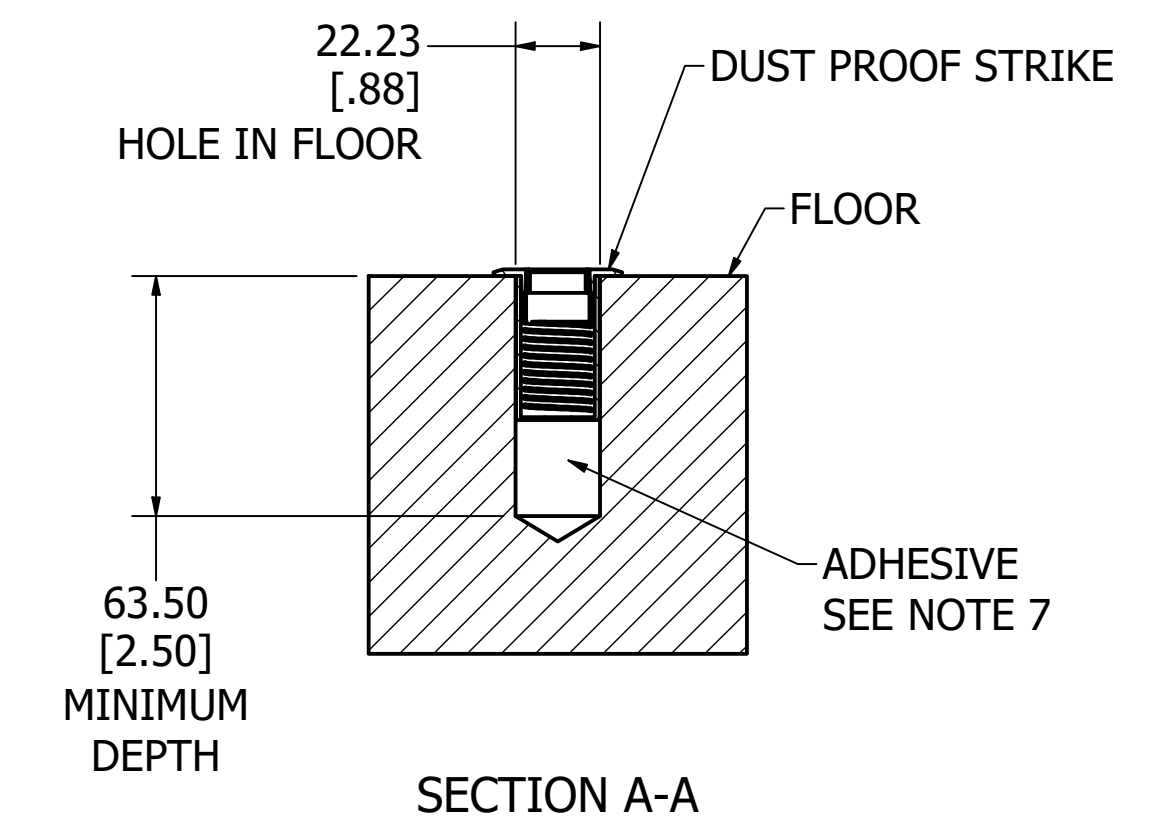
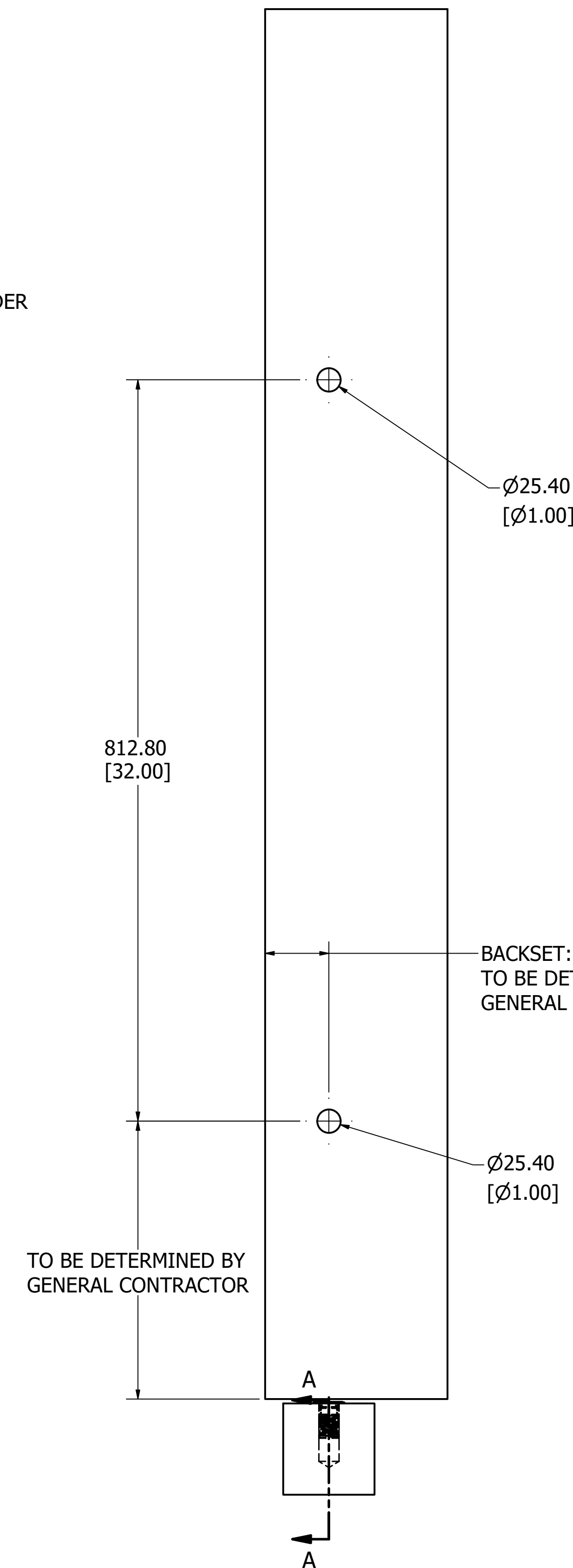
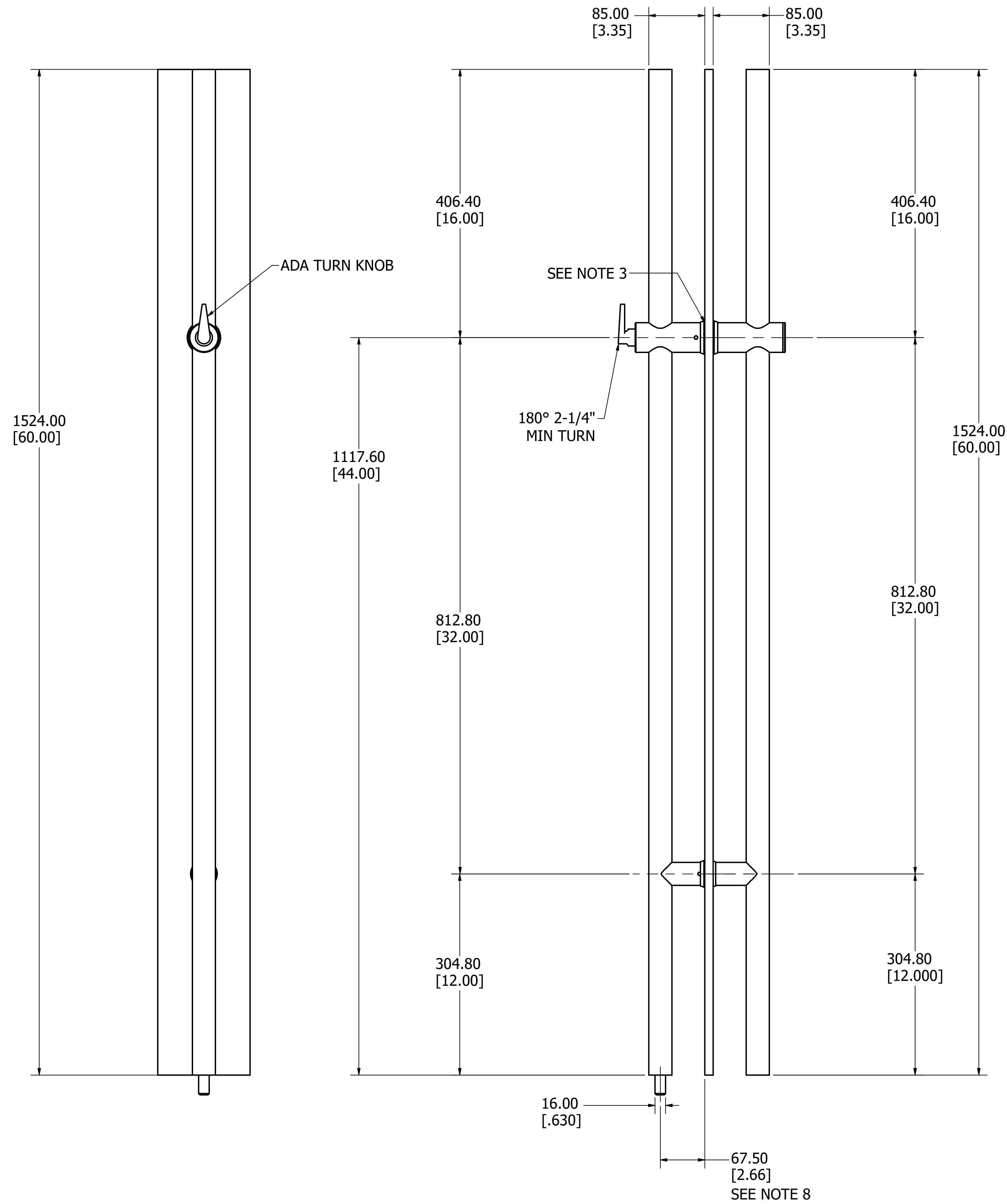
Orig.Date: **05-14-24**

Rev. Date: Rev.:

TABLE	
Date	Approval Signature

NOT TO SCALE

DOOR PREP.



NOT TO SCALE