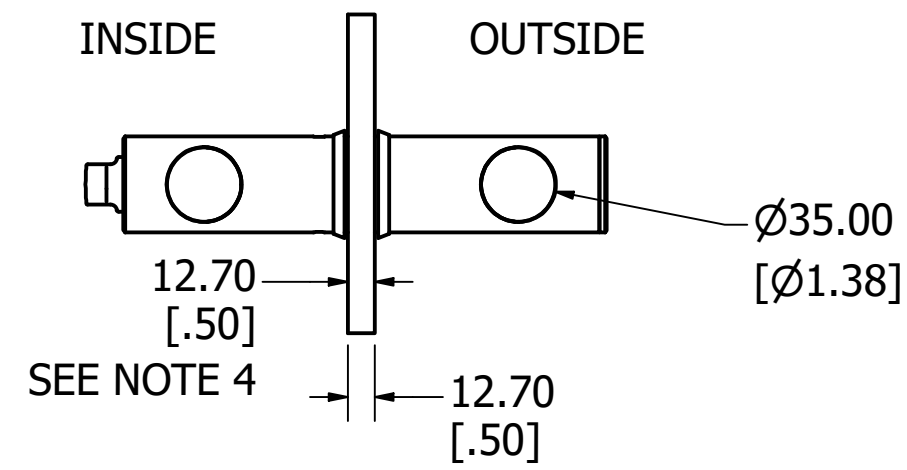


- NOTES:
- 1) MATERIAL: STAINLESS STEEL, 35mm GRIP.
 - 2) FINISH: AS SPECIFIED ON PURCHASE ORDER.
 - 3) WITH PLASTIC PROTECTIVE WASHERS.
 - 4) SUBSTRATE: 1/2" GLASS.
 - 5) IMAGE/VIEWS "NOT TO SCALE".
 - 6) LOCKING MECHANISM: INTERCHANGEABLE CORE AS SPECIFIED ON PURCHASE ORDER.
 - 7) WITH DUST PROOF STRIKE--FINISH TO MATCH PURCHASE ORDER.
 - 8) APPLY 3 STRIPS OF ADHESIVE TO OUTSIDE OF STRIKE WALLS PRIOR TO INSERTION--LET STAND OVERNIGHT TO CURE. TAKE CAUTION NOT TO GET ANY ADHESIVE ON FINISH AS THIS MAY REMOVE FINISH.



NOT TO SCALE

Description:
LDP1A2 813/1524, 813/1265 PULL
I.C. X TURN KNOB, .50" GLASS



Drawing No:
A-4856

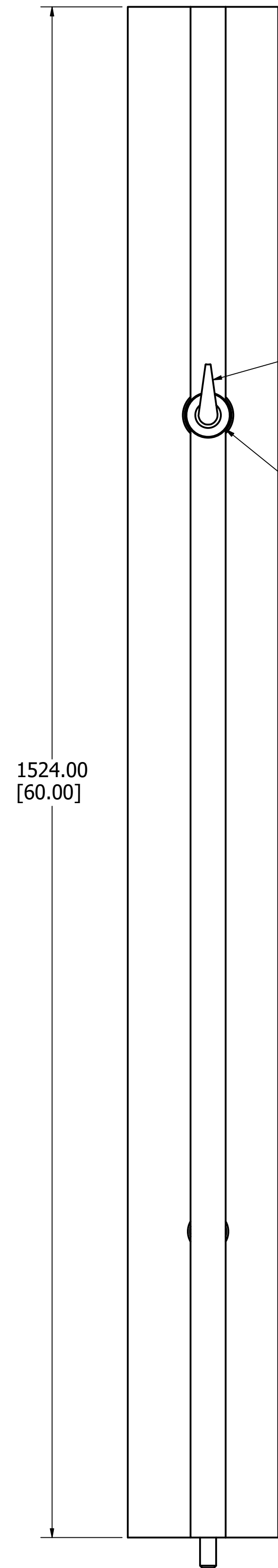
Drawn By: **JWB**

Orig. Date: **03-23-23**

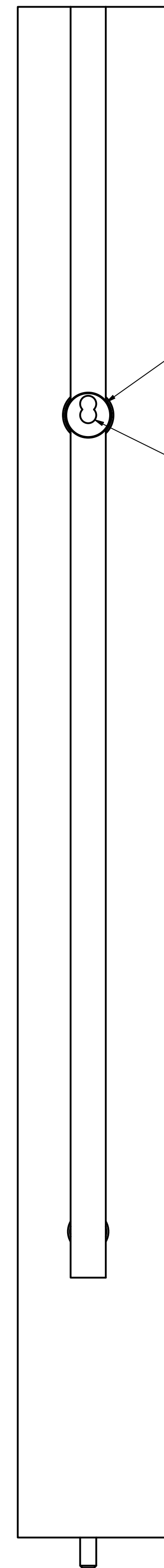
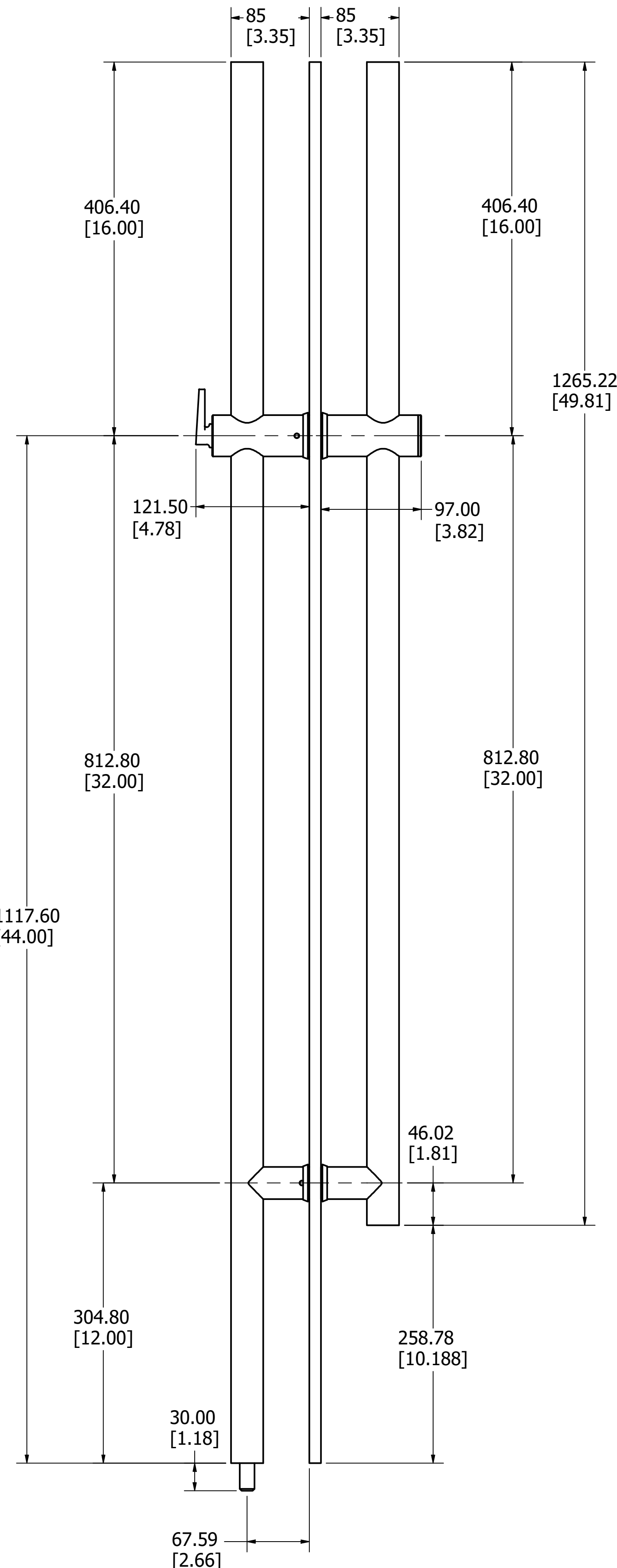
Rev. Date: Rev.:

TABLE	
Date	Approval Signature

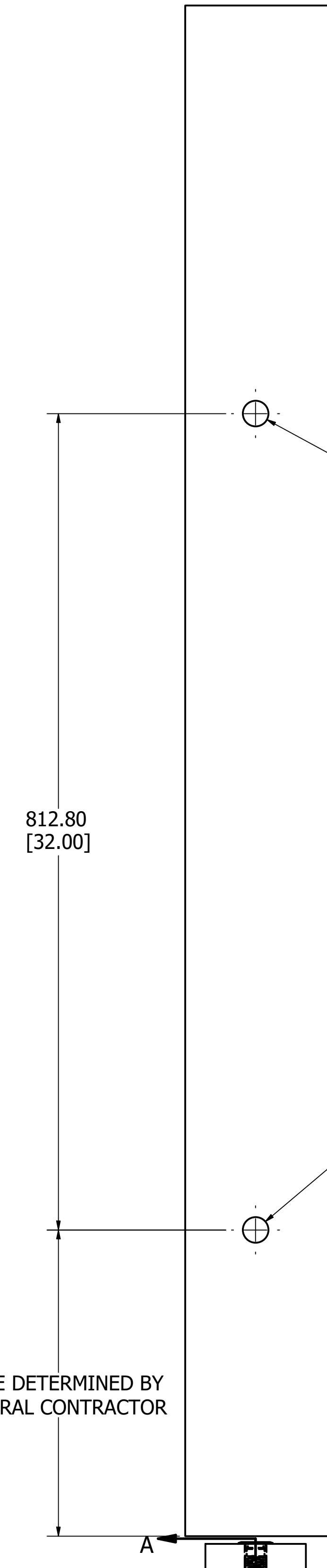
NOT TO SCALE



NOT TO SCALE



Ø45.00 [Ø1.77]
INTERCHANGEABLE CYLINDER
SEE NOTE 6



TO BE DETERMINED BY
GENERAL CONTRACTOR

DOOR PREP.

DUST PROOF FLOOR
STRIKE PREP.

Ø25.40 [Ø1.00]

