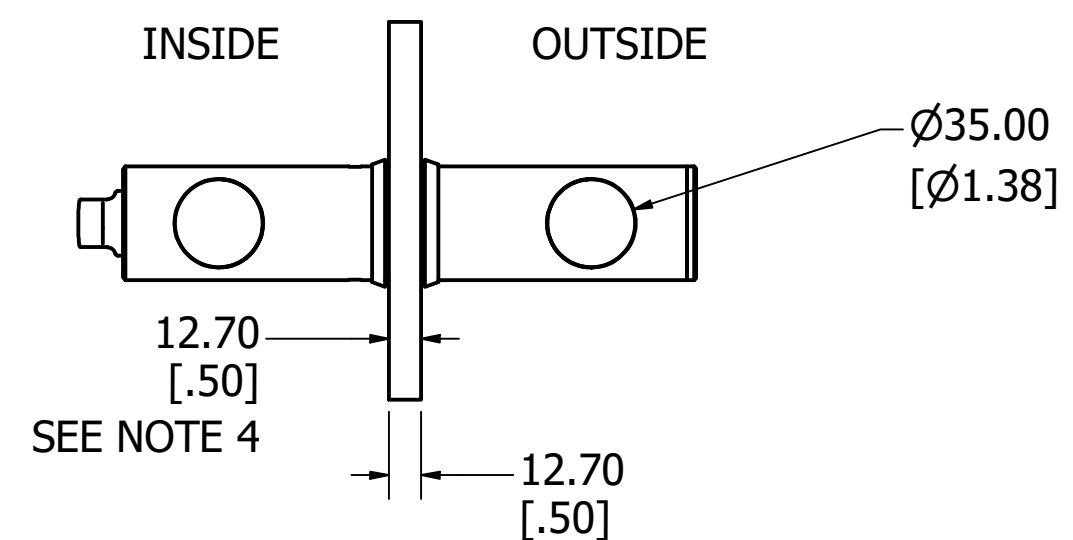


- NOTES:
- 1) MATERIAL: STAINLESS STEEL, 35mm GRIP.
  - 2) FINISH: AS SPECIFIED ON PURCHASE ORDER.
  - 3) WITH PLASTIC PROTECTIVE WASHERS.
  - 4) SUBSTRATE: 1/2" GLASS.
  - 5) IMAGE/VIEWS "NOT TO SCALE".
  - 6) LOCKING MECHANISM: INTERCHANGEABLE CORE AS SPECIFIED ON PURCHASE ORDER.
  - 7) WITH DUST PROOF STRIKE--FINISH TO MATCH PURCHASE ORDER.
  - 8) APPLY 3 STRIPS OF ADHESIVE TO OUTSIDE OF STRIKE WALLS PRIOR TO INSERTION--LET STAND OVERNIGHT TO CURE. TAKE CAUTION NOT TO GET ANY ADHESIVE ON FINISH AS THIS MAY REMOVE FINISH.



NOT TO SCALE

Description:  
LDP1A2 813/1219, 813/960 PULL  
I.C. X TURN KNOB, .50" GLASS



TOLERANCES UNLESS OTHERWISE SPECIFIED:  
X.X (METRIC) = ±0.5  
X.XX (METRIC) = ±0.15  
0.00" (UNIFIED) = ±.015"  
0.000" (UNIFIED) = ±.005"

Drawing No:  
**A-4710**

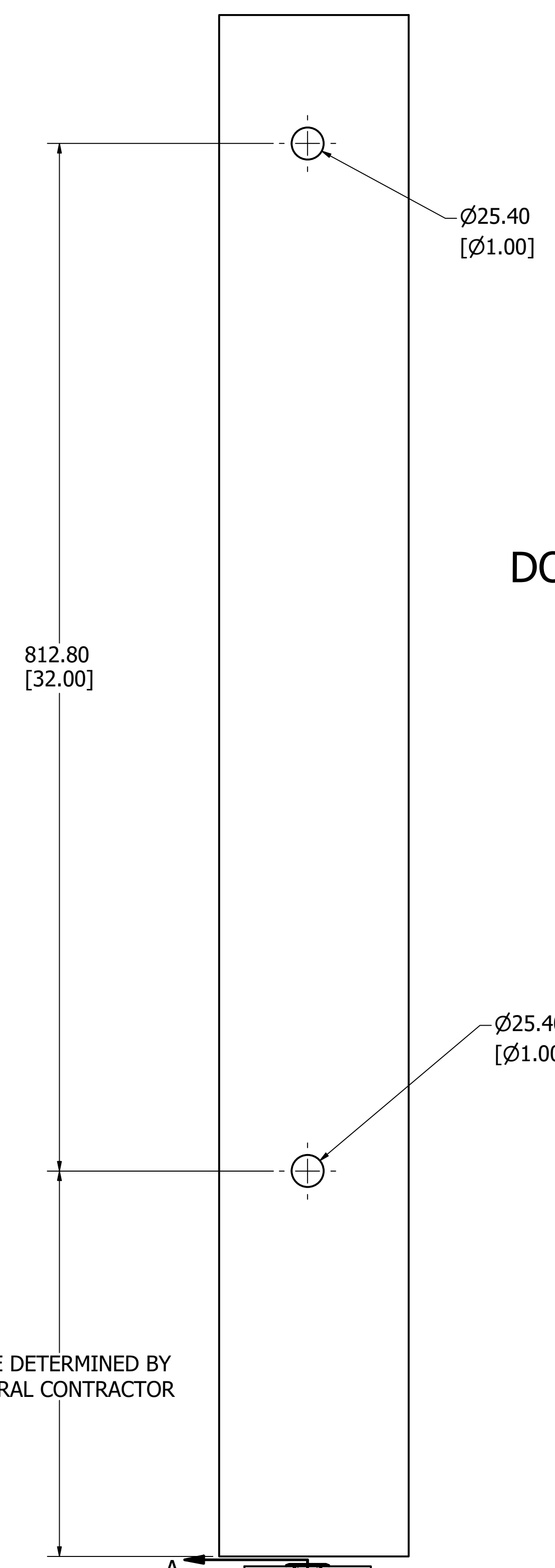
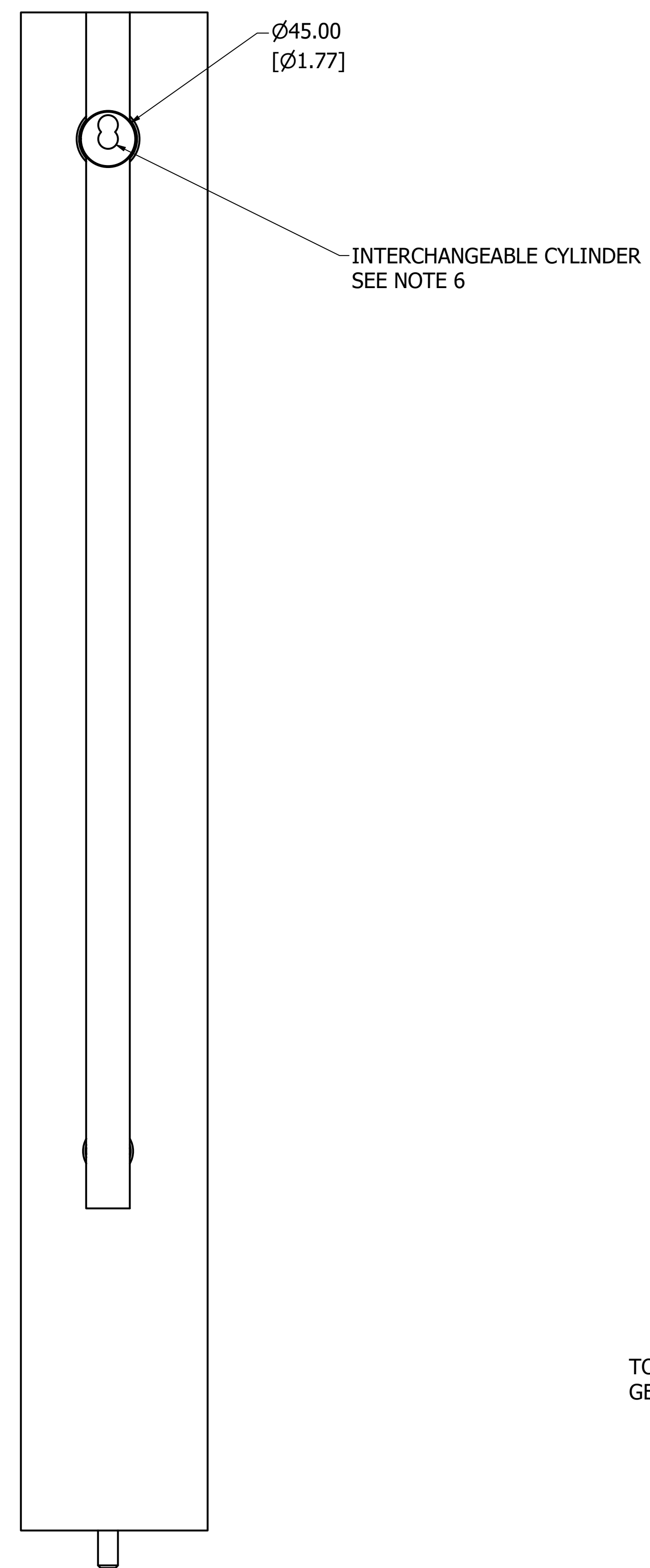
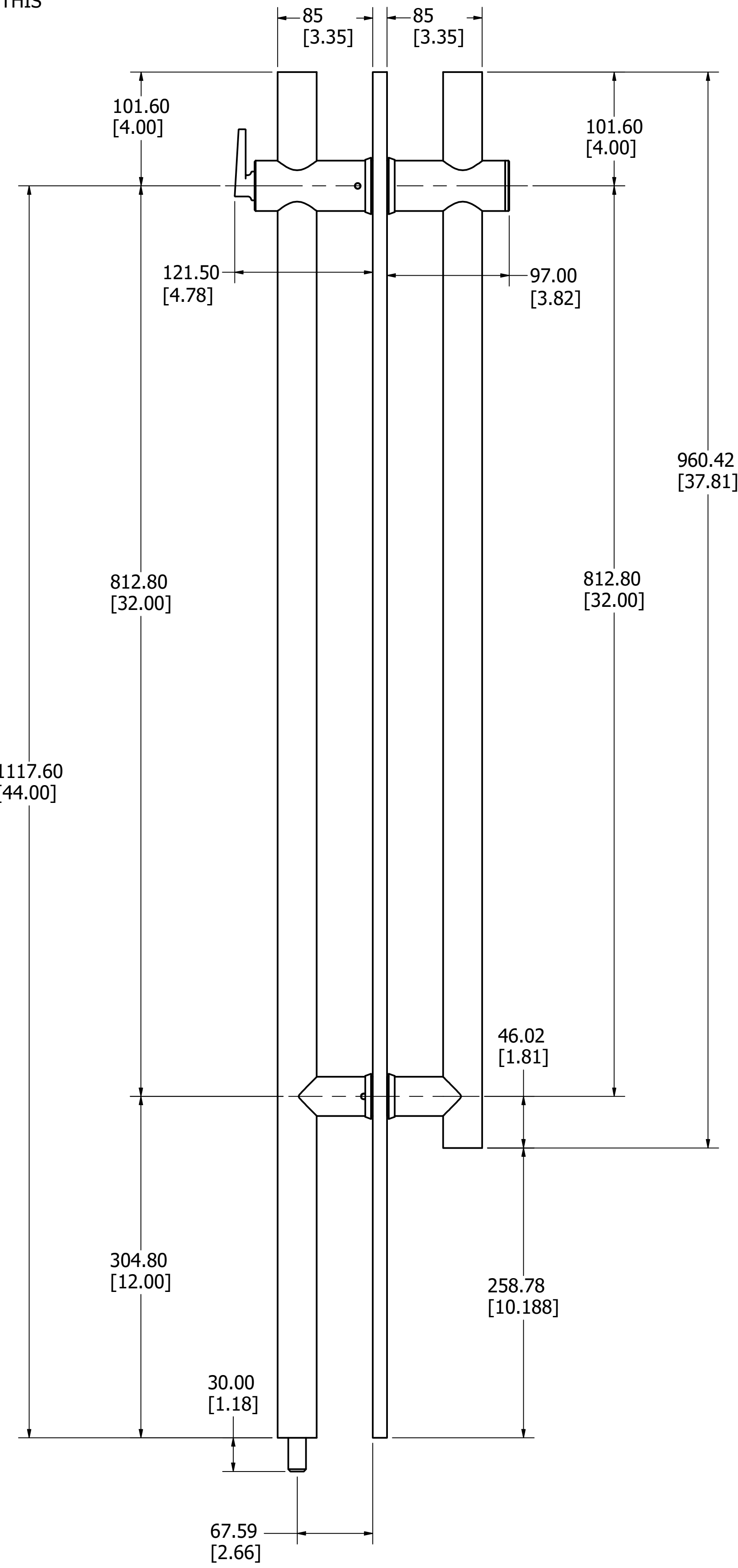
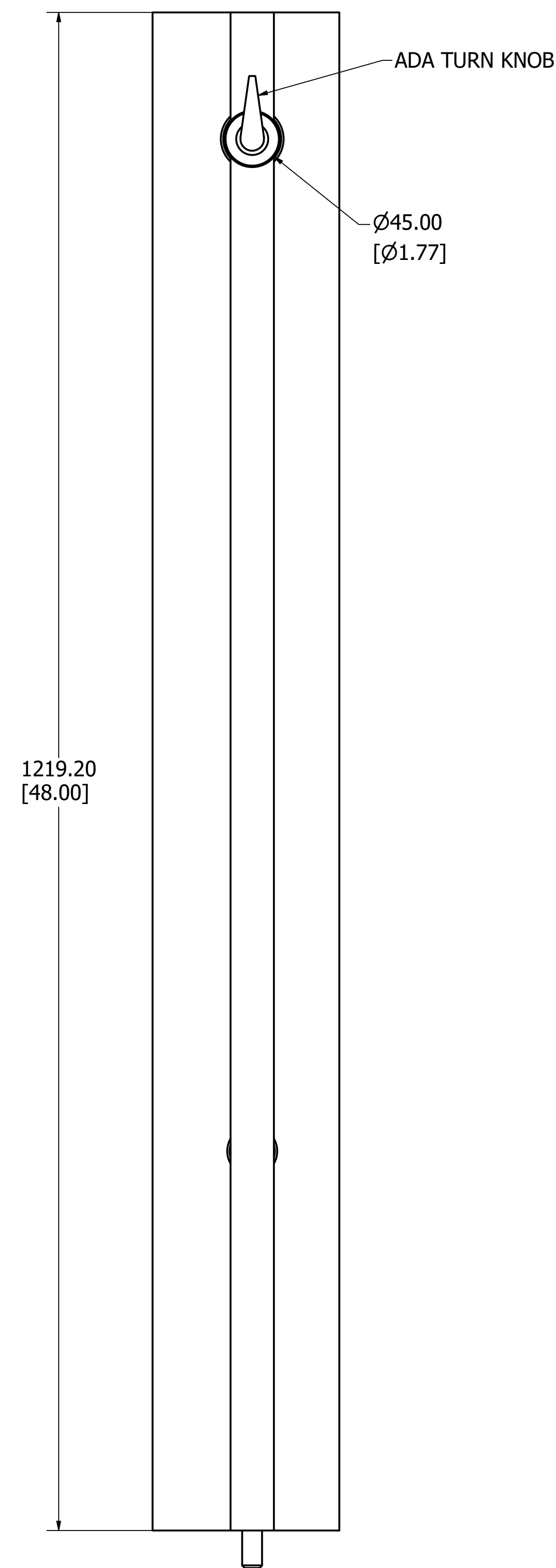
Drawn By: **JWB**

Orig. Date: **02-08-23**

Rev. Date:                      Rev.:

TABLE	
Date	Approval Signature

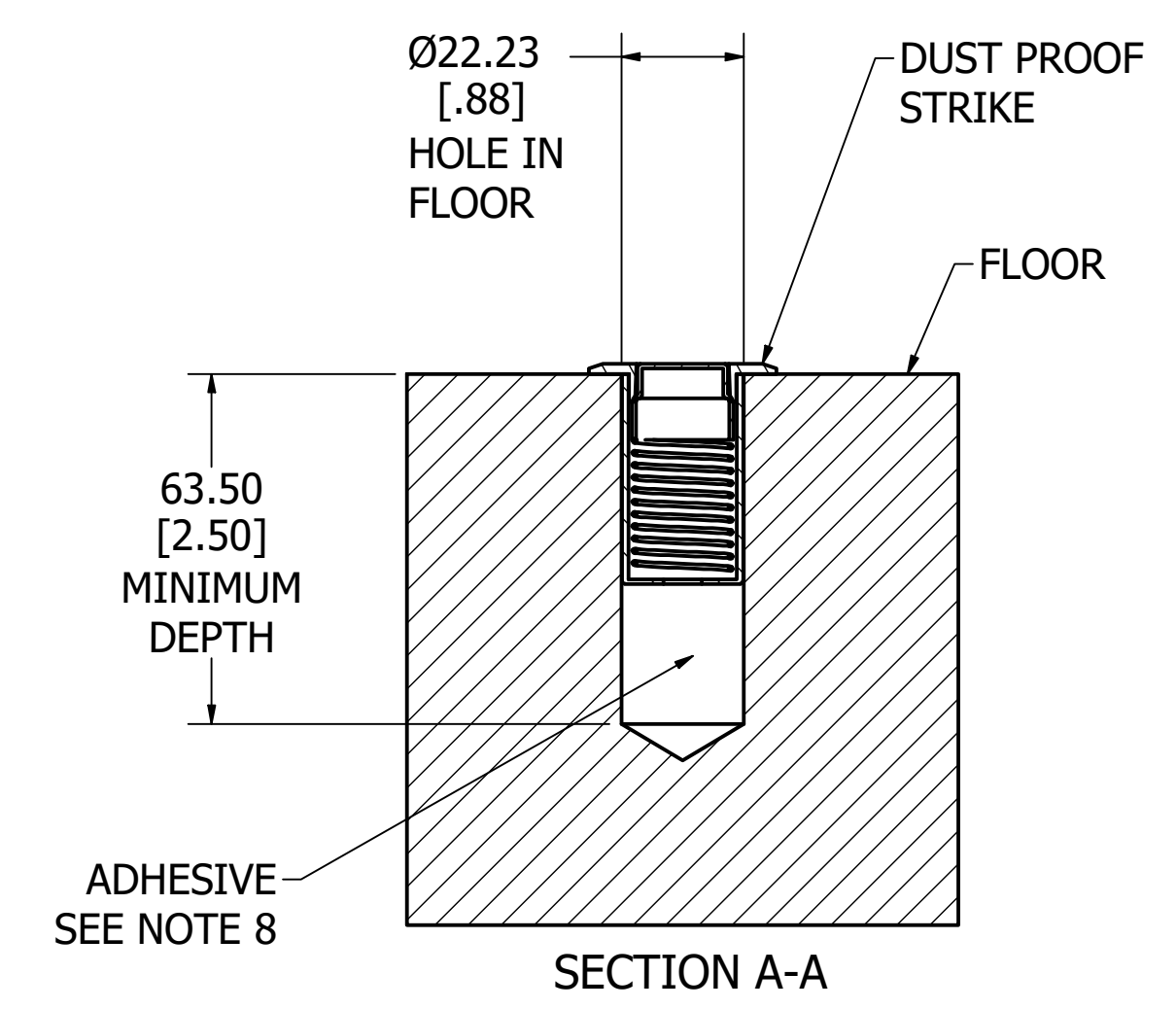
NOT TO SCALE



DOOR PREP.

DUST PROOF FLOOR STRIKE PREP.

TO BE DETERMINED BY GENERAL CONTRACTOR



NOT TO SCALE