

***FR*International™**

Architectural Door Pulls



FRInternational.com

FRInternational™

Company Focus



FR International (FRI) is a leading manufacturer and distributor of decorative door hardware trim, with a globally recognized project base. Our Frascio brand name has 80 years of history providing decorative handles and pulls for high end commercial and fine residential buildings worldwide. Our years of experience have been spent developing and improving designs and manufacturing efficiency, allowing us to offer you outstanding product quality and value.

FR International is pleased to present this Architectural Door Pulls catalog to illustrate and explain a portion of the design range and broad manufacturing capability we have. Door pulls continue to grow in popularity as sliding door systems are increasingly specified in the architectural and interior design community.

There are limitless opportunities for creative expression and technical variation in the world of decorative door pulls.

Environmentally-Friendly Manufacturing

FR International door pulls are manufactured primarily from stainless steel, aluminum, and brass. The percentage of postconsumer and post-industrial recycled content is estimated as follows:

-  Stainless steel that is used in FRI products has a post-industrial recycled content of approximately 70%, and a post-consumer recycled content of approximately 8%.
-  The aluminum and brass materials that are used to make many FRI products typically contain 80-100% recycled material, a combination of melted scrap metal and reclaimed by-products.

The above percentages show an average of FR International's overall production. Actual percentages on any order will vary based on the specific products that comprise that order as well as the mill source.

When no longer needed, FRI stainless steel, aluminum and brass parts are 100% recyclable.

FR International is committed to responsible business and manufacturing practices that help conserve resources and protect our environment.

Materials and Finishes

Architectural pulls are most frequently fabricated in stainless steel material. Most of the pulls shown in this catalog are available in stainless steel, and depending on the specific design may also be available in other materials such as brass or aluminum. Solid cast bronze is also an option in some cases.

Our standard stainless steel alloy grade used for architectural pulls is 304, which is perfect for most indoor environments and many exterior environments. For applications where air pollution and marine salt air is prevalent, consider specifying alloy grade 316, which has an even higher degree of corrosion protection.

In addition to alloy grade selection, the surface finish of stainless steel can affect corrosion resistance, as smooth polished surfaces deflect the deposit of airborne debris that can lead to corrosion better than a satin surface. For optimal resistance to surface stains caused by corrosion, specify polished finish.

The most common finishes provided in stainless steel material are BHMA 630 Satin Stainless and BHMA 629 Polished Stainless. Other standard BHMA finishes can also be created by applying coatings to the stainless steel or brass base material. Refer to the FR International Finishes Chart as a reference.

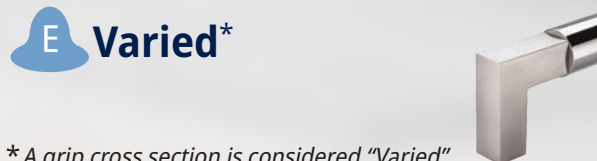
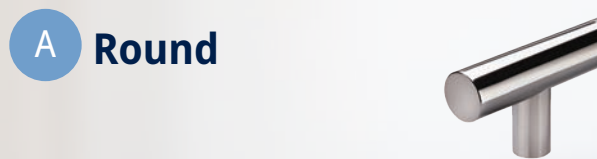
Custom finishes are also available upon request.

Our Product Nomenclature and Identification System

FR International organizes its door pull identification system around two primary characteristics of the pull; the **Cross Section Shape of the Grip** and the **General Design Style**.

Grip Cross Section

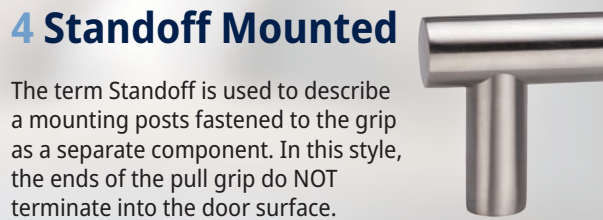
For categorization purposes, grip cross sections are organized into 5 options, with a corresponding Alpha character assigned to each. This alpha character provides an important designation in our nomenclature for specification and ordering purposes.



** A grip cross section is considered "Varied" if it is asymmetric or if there is more than one shape incorporated into the grip portion of the pull.*

General Design Style

For this second identifying characteristic, we organize the style of pull into one of three general category options, with a numeric character assigned to each. This numeric character is also used as an important designation in our nomenclature for specification and ordering purposes.



Certain designs may be limited in sizes and/or finish. See individual specification sheets on our website.

Expertise In Meeting Your Specific Project Requirements

In addition to the standard cataloged pull designs shown in this Architectural Door Pulls Catalog, FR International can produce virtually any size, shape, or design required for your specific project. Send us the specification for your project and let us go to work for you.

Custom Design and Manufacturing

FR International has an experienced and highly capable engineering department able to bring your ideas to life. We use 3D CAD design technology to engineer your ideas from concept to image renderings, and oversee through prototypes to production.

Shown here are a small sampling of various custom design projects that incorporated unique shapes or a variety of materials and finishes, including stainless steel, brass, aluminum, stone, leather, powder coating, and electroplating. We welcome the opportunity to create a custom solution for you.



DPE7020

DPA1115

DPA4127

DPA4139

DPE1004

DPE4112

DPE4025

DPE1107

LDP Locking Door Pull Program

In addition to the Architectural Door Pull Program presented in this catalog, FR International also offers the LDP Locking Door Pull Program which provides a variety of locking pulls and their matching non-locking complements. For details related to the LDP Program, please refer to our Locking Door Pull catalog, available via download at FRInternational.com or via digital media.

FR International locking door pulls add contemporary design and security functionality to door openings of all sizes. The concealed deadbolt locking system inside the pull provides a clean and elegant installation that eliminates the need for unsightly patch fittings or rails on glass door applications.

- ▶ Cylinder and turnknob located at a convenient height, reducing effort required to lock and unlock
- ▶ Multiple size, shape, design, and finish options and custom specification capability allow for unlimited combinations to meet your projects requirements

FEATURES

Heavy duty stainless steel construction

Multiple lengths available, including custom

Multiple shapes and designs available, including custom

Multiple operating configurations available; standard is key operated from exterior, turnknob from interior

Can be used with both swinging and sliding doors

Non-keyed privacy function available as well as matching non locking pulls

Multiple locking options: bottom bolt standard, top bolt, or dual locking available

Bolt location: approximately 2-5/8" from face of door to centerline of bolt

16mm stainless steel deadbolt with 30mm throw. Includes dust proof floor strike.

Accommodates most keying systems including standard non-interchangeable core, small format interchangeable core, large format interchangeable core, European profile, and other systems

Standard door thickness range: 8-19mm glass or solid panel;
1-3/4" to 2-1/4" aluminum, hollow metal, or wood doors

Available standard in 630 Satin Stainless Steel, 629 Polished Stainless Steel, 622 Matte Black, and 695 Dark Bronze. Other finishes may be available, please consult with the factory.

Note: available with ADA compliant requirements

Please refer to our **Locking Door Pull Catalog**
for more details.



Mounting/Fastening Options

SINGLE MOUNT - CONCEALED		SINGLE MOUNT - THROUGHBOLT	
Type A-WD	Wood Door Concealed	Type A-MD	Metal Door Concealed
Type	Bolt Size	Type	Bolt Size
A-WD	#10 Wood Screw	A-MD	M8* (Rivnut by others)
		A-MD-XHD	M10* (Rivnut by others)
Type B	Thru Bolt Mount Wood or Metal		
Type	Bolt Size	Type	Bolt Size
B	M8*	B-XHD	M10*

SINGLE MOUNT - DECORATIVE BLIND HEAD		BACK-TO-BACK MOUNTING	
Type C	Decorative Thru Bolt Mount	Type D	Back-to-Back Mount - Wood or Metal
Type	Bolt Size	Type	Bolt Size
C	M8*	D	M8*
C-XHD	M10*	D-XHD	M10*
Type C-GL	Decorative Thru Bolt Mount - Glass	Type D-GL	Back-to-Back Mount - Glass
Type	Bolt Size	Type	Bolt Size
C-GL	M8* (includes bushing)	D-GL	M8* (includes bushing)
C-GL-XHD	M10* (includes bushing)	D-GL-XHD	M10* (includes bushing)

*Not available on certain pull sizes

If required DG bushings available please contact factory for details.

How to Specify and Order

Shown below is the typical format for specifying and ordering door pulls:

Product Category	Grip Cross Section Shape	Style	Pull Number (3 digits)	CTC/OAL (mm)	Finish	Mounting Type	Door Thickness	Other
DP	A	1	000	475/500	630	A	1-3/4	
DP Door Pull	A Round B Square C Rectangular D Oval E Varied	1 Infinity Mounted 4 Standoff Mounted 7 Sculpted	Refer to catalog model number		629 630	A Concealed B Throughbolt C Finished Head D Back-to-Back	1-3/4" wood 1/2" glass 2-1/4" wood	

Note: If different door/glass thickness is specified please add detail on Purchase Order and contact factory for instructions.

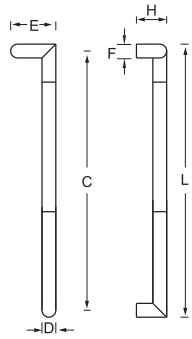
FR INTERNATIONAL
SPECIALTY COLLECTION

Leather | Grip Sector | Timber | TPV | Fluted

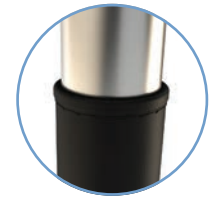
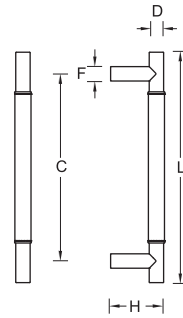


The Leather Collection

FR International's upholstery leather pulls are designed to be elegant and timeless. We offer eight standard leather colors to select from, as well as custom leather options. Don't see a design that suits your project? Contact us and we can custom design your perfect leather wrapped door pull.

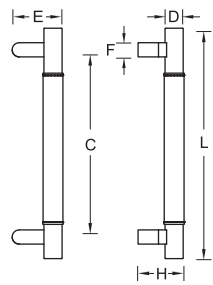


Model	D	H	F	E	C and L
DPA1087	Ø 32mm	70mm	25mm	105mm	Per project spec

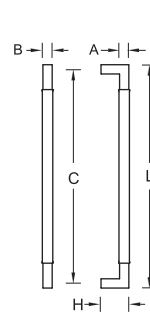


Wrapped leather grip

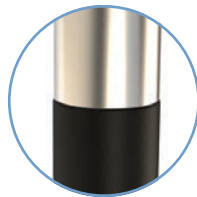
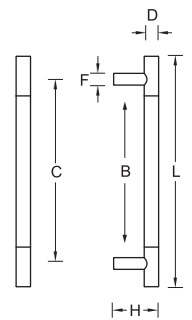
Model	D	H	F	C, E and L
DPA4219	Ø 32mm	70mm	25mm	Per project spec
DPA4269	Ø 25mm	64mm	22mm	Per project spec
DPA4270	Ø 38mm	76mm	25mm	Per project spec



Model	D	H	F	E	C and L
DPA4238	Ø 38mm	76mm	25mm	66mm	Per project spec
DPA4271	Ø 25mm	70mm	22mm	66mm	Per project spec
DPA4272	Ø 32mm	76mm	25mm	66mm	Per project spec

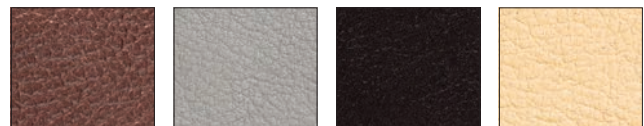


Model	A	B	H	C and L
DPB1044	19mm	19mm	57mm	Per project spec
DPB1045	25mm	25mm	70mm	Per project spec
DPB1046	32mm	32mm	76mm	Per project spec



Flush leather grip

Model	D	H	F	C, E and L
DPA4333	Ø 25mm	70mm	19mm	Per project spec
DPA4347	Ø 32mm	78mm	25mm	Per project spec



LW101(S) Nutmeg LW103(M) Pewter LW105(S) Espresso LW107(M) Bone



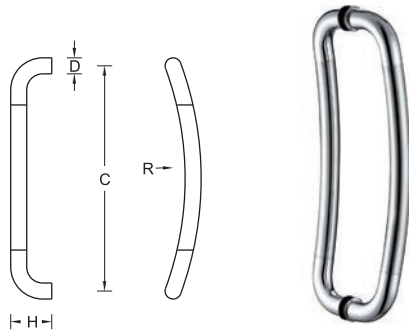
LW102(M) Caramel LW104(M) Ebony LW106(M) Cocoa LW108(M) Denim

Please consult factory for other leather grip door pull options

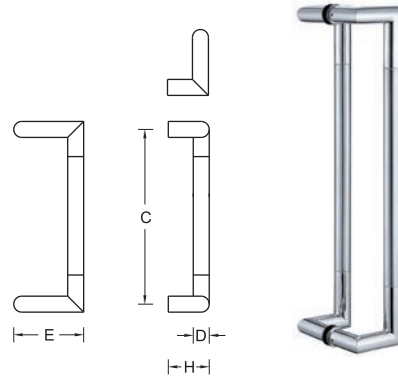
Computer monitors display colors differently and everyone can see these colors differently. Understand the actual color may vary slightly from your monitor.

The Grip Sector Collection

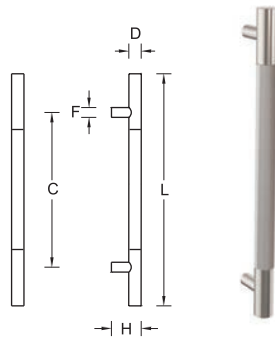
This collection allows the grip area of the pull to stand out and offer a contrasting grip zone. We offer many design options and contrasting combinations. The Grip Sector Collection offers designs that will make any entry door stand out from the crowd.



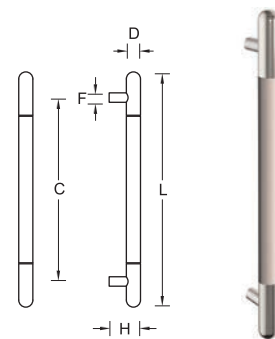
Model	D	H	C and R
DPA1014	Ø 25mm	75mm	Per project spec
DPA1015	Ø 32mm	80mm	Per project spec



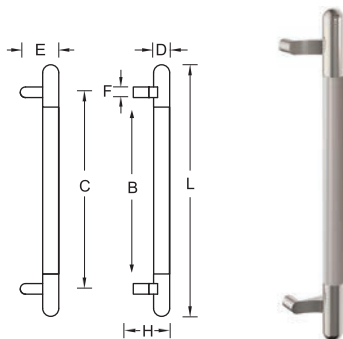
Model	D	H	C and E
DPA1028	Ø 25mm	70mm	Per project spec
DPA1029	Ø 32mm	80mm	Per project spec



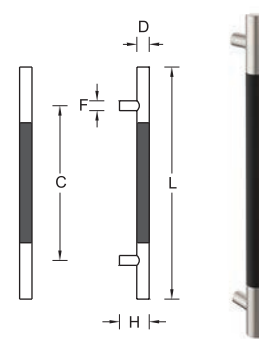
Model	D	H	F	C and L
DPA4029	Ø 25mm	70mm	25mm	Per project spec
DPA4133	Ø 32mm	72mm	25mm	Per project spec
DPA4189	Ø 38mm	83mm	25mm	Per project spec



Model	D	H	F	C and L
DPA4165	Ø 25mm	75mm	22mm	Per project spec
DPA4166	Ø 32mm	80mm	25mm	Per project spec

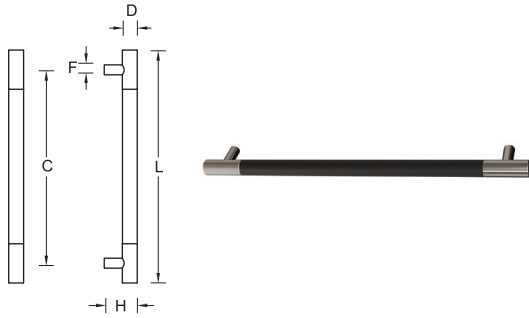


Model	D	H	F	E	C and L
DPA4167	Ø 25mm	75mm	25mm	66mm	Per project spec
DPA4168	Ø 32mm	80mm	25mm	66mm	Per project spec

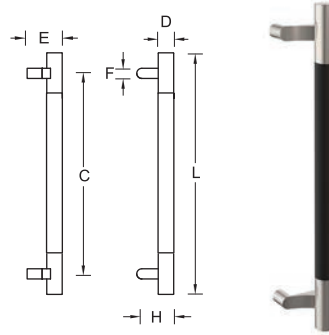


Model	A	H	F	C and L
DPA4171	Ø 32mm	70mm	25mm	Per project spec
DPA4242	Ø 25mm	65mm	19mm	Per project spec

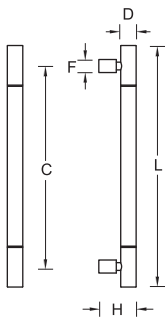
The Grip Sector Collection



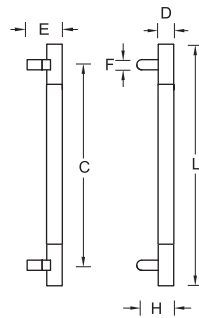
Model	D	H	F	C and L
DPA4172	Ø 32mm	76mm	25mm	Per project spec



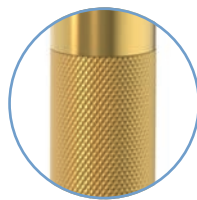
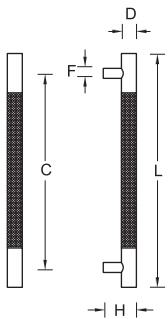
Model	D	H	F	E	C and L
DPA4234	Ø 25mm	75mm	25mm	66mm	Per project spec



Model	D	H	F	C and L
DPA4246	Ø 32mm	85mm	32mm	Per project spec
DPA4298	Ø 25mm	76mm	25mm	Per project spec

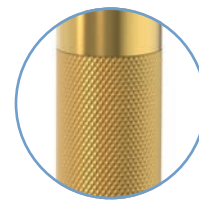
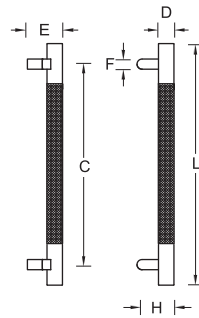


Model	D	H	F	E	C and L
DPA4211	Ø 25mm	75mm	25mm	66mm	Per project spec
DPA4212	Ø 32mm	80mm	25mm	66mm	Per project spec



Grip has diamond knurled pattern

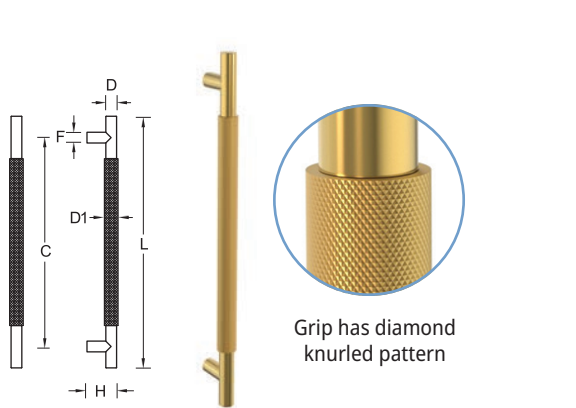
Model	D	H	F	C and L
DPA4284	Ø 32mm	76mm	25mm	Per project spec



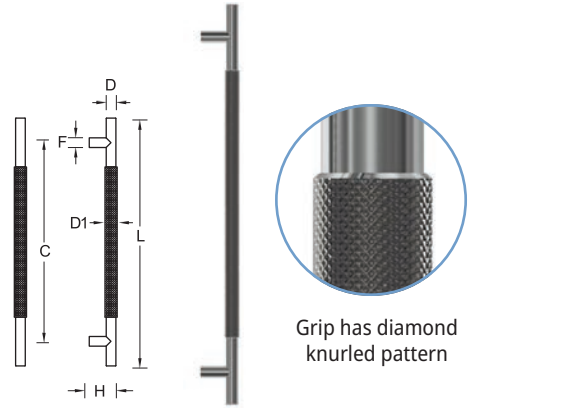
Grip has diamond knurled pattern

Model	D	H	F	E	C and L
DPA4285	Ø 32mm	76mm	25mm	66mm	Per project spec

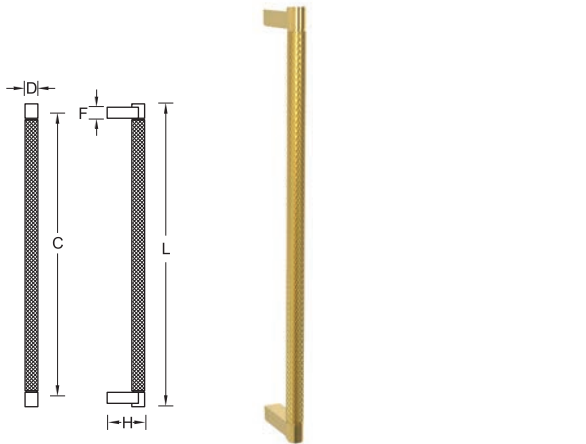
The Grip Sector Collection



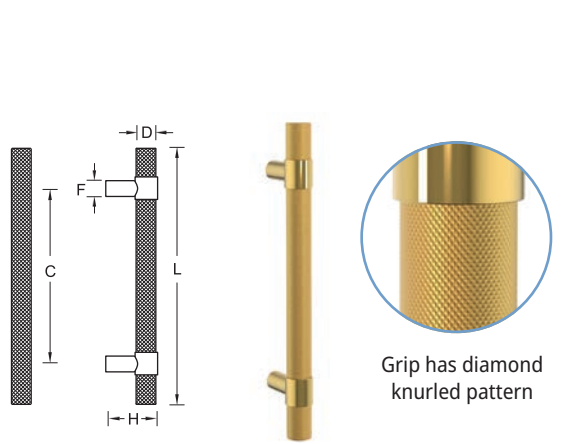
Model	D	D1	H	F	C and L
DPE4140	Ø 25mm	Ø 32mm	70mm	22mm	Per project spec



Model	D	D1	H	F	C and L
DPE4039	Ø 19mm	Ø 22mm	58mm	18mm	Per project spec



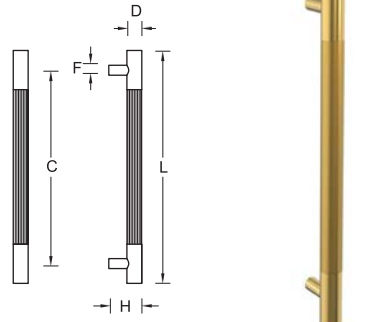
Model	D	H	F	C and L
DPE1111	Ø 20mm	60mm	20mm	Per project spec



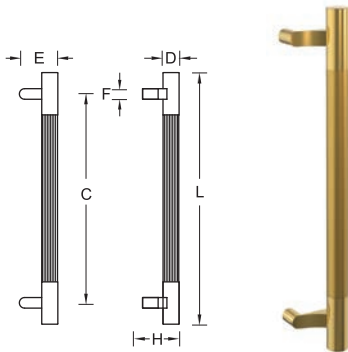
Model	D	F	H	C and L
DPE4105	Ø 25mm	25mm	64mm	Per project spec

The Fluted Collection

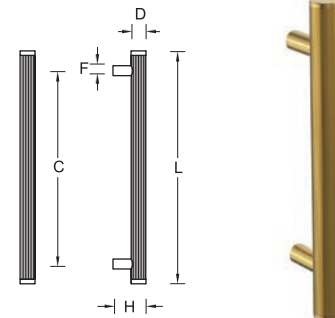
The full-groove design of The Fluted Collection adds a detail of elegance and class to an architectural door pull. The straight and offset pulls in this collection can enhance the beauty of any entrance. These designs are available in all of our standard finishes.



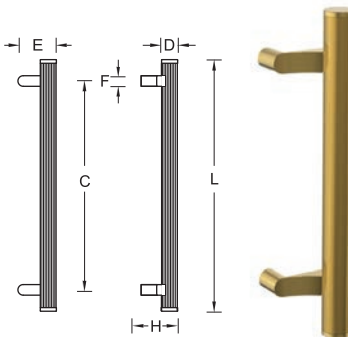
Model	D	H	F	C and L
DPE4023	Ø 32mm	76mm	25mm	Per project spec



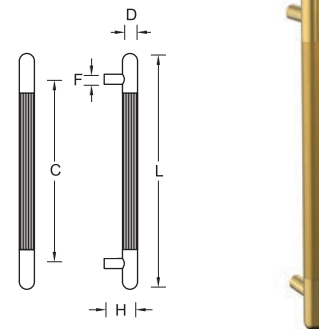
Model	D	H	F	E	C and L
DPE4047	Ø 32mm	76mm	25mm	66mm	Per project spec



Model	D	H	F	C and L
DPE4048	Ø 32mm	76mm	25mm	Per project spec

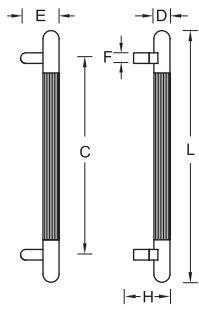


Model	D	H	F	E	C and L
DPE4049	Ø 32mm	76mm	25mm	66mm	Per project spec

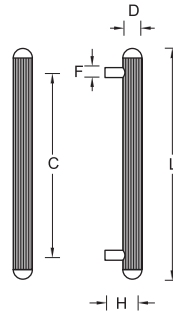


Model	D	H	F	C and L
DPE4050	Ø 32mm	76mm	25mm	Per project spec

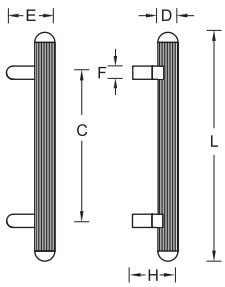
The Fluted Collection



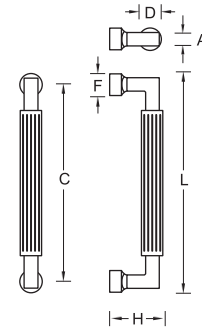
Model	D	H	F	E	C and L
DPE4079	Ø 32mm	76mm	25mm	66mm	Per project spec



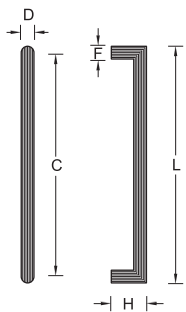
Model	D	H	F	C and L
DPE4052	Ø 32mm	76mm	25mm	Per project spec



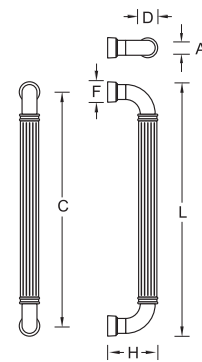
Model	D	H	F	E	C and L
DPE4051	Ø 32mm	76mm	25mm	66mm	Per project spec



Model	D	H	F	A	C	L
DPE1079	Ø 22mm	55mm	19mm	14mm	203mm	225mm



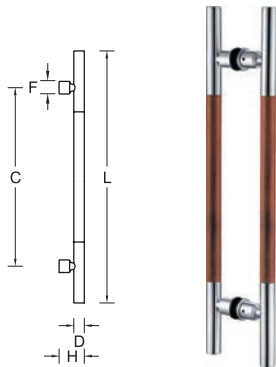
Model	D	H	F	C and L
DPE1078	Ø 25mm	73mm	Ø 25mm	Per project spec



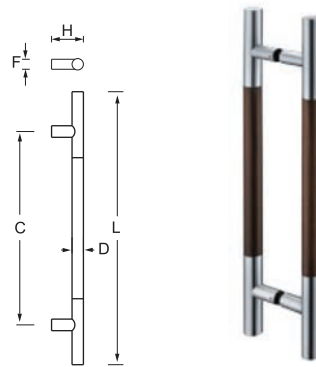
Model	D	H	F	A	C and L
DPE1138	Ø 19mm	76mm	22mm	21mm	Per project spec

The Timber Collection

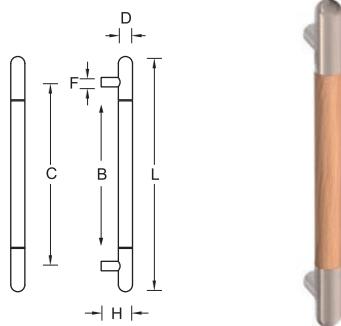
This collection of wood grip pulls will add warmth and charm to any door. This collection of pulls are made from engineered hardwood designed to resemble White Oak. These robust pulls will offer years of strength and dependability. Available in eight popular Minwax stains or unfinished.



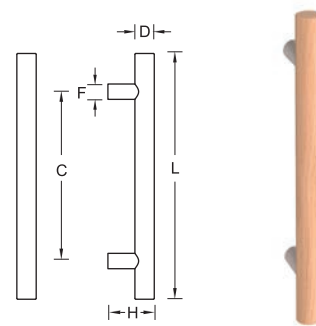
Model	D	F	H	C and L
DPA4054	Ø 25mm	Ø 25mm	60mm	Per project spec
DPA4055	Ø 32mm	Ø 32mm	72mm	Per project spec



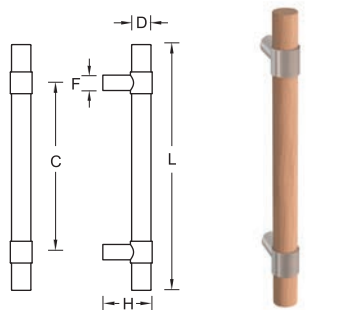
Model	D	F	H	C and L
DPA4096	Ø 25mm	Ø 22mm	60mm	Per project spec
DPA4097	Ø 32mm	Ø 25mm	72mm	Per project spec



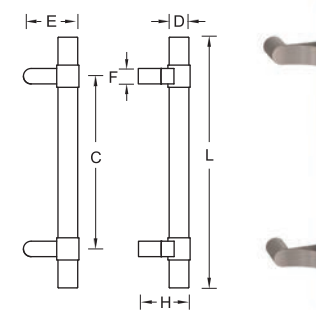
Model	D	F	H	C and L
DPA4265	Ø 32mm	25mm	76mm	Per project spec
DPA4293	Ø 25mm	25mm	70mm	Per project spec



Model	D	F	H	C and L
DPA4267	Ø 38mm	Ø 32mm	83mm	Per project spec
DPA4274	Ø 32mm	Ø 25mm	76mm	Per project spec
DPA4306	Ø 25mm	Ø 25mm	70mm	Per project spec

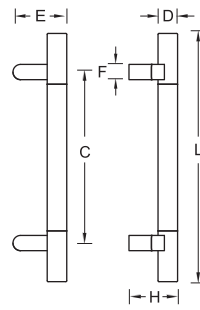
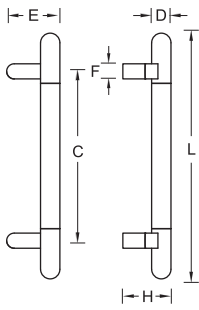


Model	D	F	H	C and L
DPA4287	Ø 25mm	Ø 25mm	70mm	Per project spec
DPA4288	Ø 32mm	Ø 25mm	76mm	Per project spec



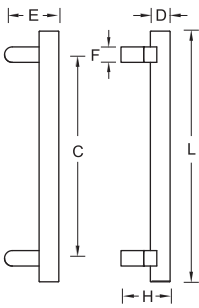
Model	D	F	H	E	C and L
DPA4289	Ø 25mm	Ø 25mm	64mm	66mm	Per project spec
DPA4290	Ø 32mm	Ø 25mm	73mm	66mm	Per project spec

The Timber Collection



Model	D	F	H	E	C and L
DPA4291	Ø 25mm	25mm	64mm	66mm	Per project spec
DPA4292	Ø 32mm	25mm	70mm	66mm	Per project spec

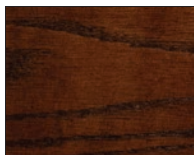
Model	D	F	H	E	C and L
DPA4294	Ø 25mm	25mm	64mm	66mm	Per project spec
DPA4295	Ø 32mm	25mm	70mm	66mm	Per project spec



Model	D	F	H	E	C and L
DPA4296	Ø 25mm	25mm	64mm	66mm	Per project spec
DPA4297	Ø 32mm	25mm	70mm	66mm	Per project spec
DPA4307	Ø 38mm	32mm	76mm	66mm	Per project spec



Golden Oak 210B



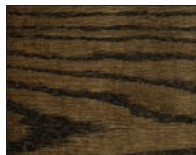
Red Oak 215



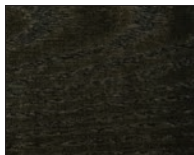
Special Walnut 224



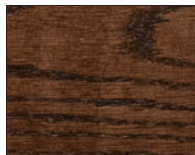
Gunstock 231



Dark Walnut 2716



Ebony 2718



Red Mahogany 225



Golden Pecan 245

FR International uses MINWAX Standard Codes for stain colors. Please visit the MINWAX website for additional images of finishes on White Oak.

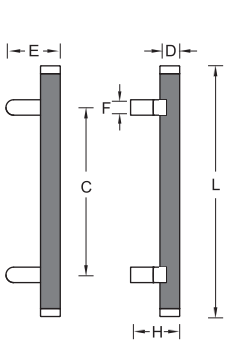
Computer monitors display colors differently and everyone can see these colors differently. Understand the actual color may vary slightly from your monitor.



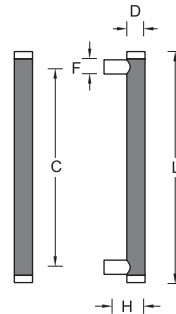
Additional designs not shown in this guide may be viewed online at FRInternational.com, or contact us to match your design requirement.

The TPV Collection

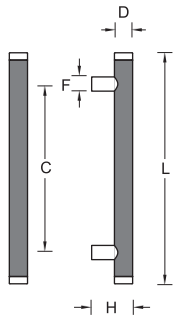
The TPV Collection provides a rugged and durable gripping surface to withstand weather and years of use. The grip utilizes thermoplastic vulcanizate, which is known for its ability to maintain integrity in low temperatures and offers heat resistance for hot, outdoor locations.



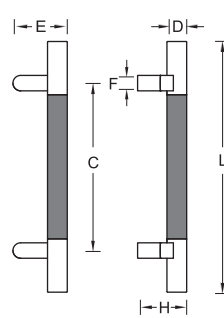
Model	D	F	H	E	C and L
DPA4222	Ø 32mm	25mm	70mm	66mm	Per project spec



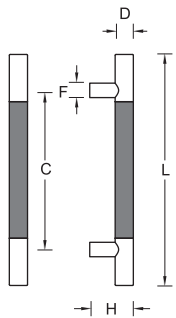
Model	D	F	H	C and L
DPA4239	Ø 32mm	25mm	76mm	Per project spec



Model	D	F	H	C and L
DPA4255	Ø 32mm	25mm	76mm	Per project spec



Model	D	F	H	E	C and L
DPA4300	Ø 32mm	25mm	70mm	66mm	Per project spec



Model	D	F	H	C and L
DPA4299	Ø 32mm	Ø 25mm	76mm	Per project spec

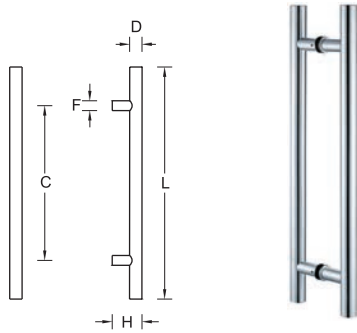
STANDOFF MOUNTED PULLS

Standoff mounted pulls have mounting posts fastened to the grip as a separate component.

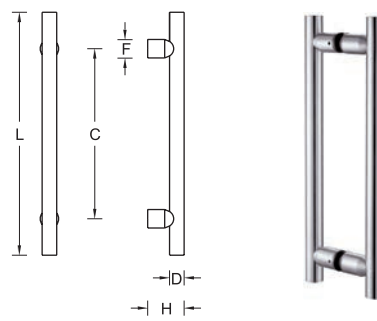


ROUND GRIP CROSS SECTION PULLS

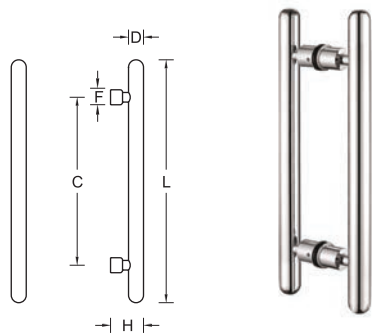
STANDOFF MOUNTED—STRAIGHT PULLS



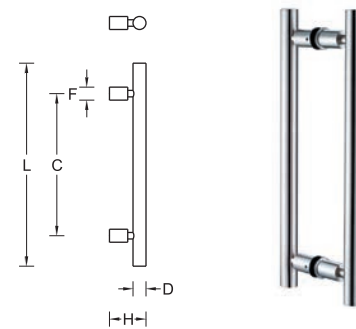
Model	D	F	H	C and L
DPA4000	Ø 32mm	Ø 25mm	70mm	Per project spec
DPA4001	Ø 35mm	Ø 32mm	70mm	Per project spec
DPA4002	Ø 38mm	Ø 35mm	76mm	Per project spec
DPA4005	Ø 25mm	Ø 22mm	64mm	Per project spec
DPA4241	Ø 19mm	Ø 19mm	45mm	Per project spec



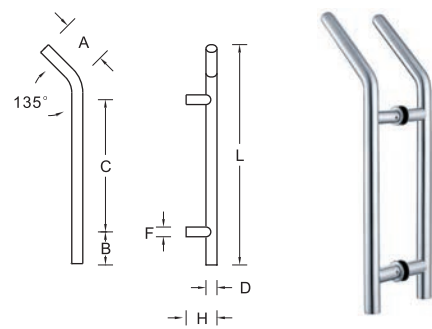
Model	D	F	H	C and L
DPA4008	Ø 25mm	Ø 32mm	70mm	Per project spec
DPA4009	Ø 32mm	Ø 38mm	77mm	Per project spec



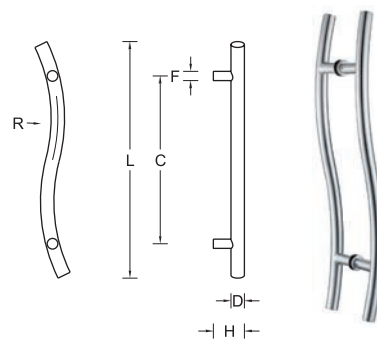
Model	D	F	H	C and L
DPA4192	Ø 32mm	Ø 32mm	70mm	Per project spec
DPA4197	Ø 25mm	Ø 25mm	64mm	Per project spec
DPA4198	Ø 38mm	Ø 38mm	76mm	Per project spec



Model	D	F	H	C and L
DPA4017	Ø 25mm	Ø 25mm	64mm	Per project spec
DPA4018	Ø 32mm	Ø 32mm	70mm	Per project spec
DPA4196	Ø 38mm	Ø 38mm	76mm	Per project spec



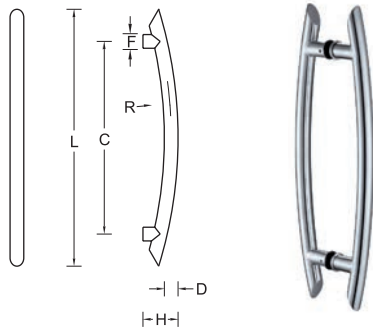
Model	A	D	F	H	C and L
DPA4021	105mm	Ø 25mm	Ø 22mm	70mm	Per project spec
DPA4022	200mm	Ø 32mm	Ø 25mm	77mm	Per project spec



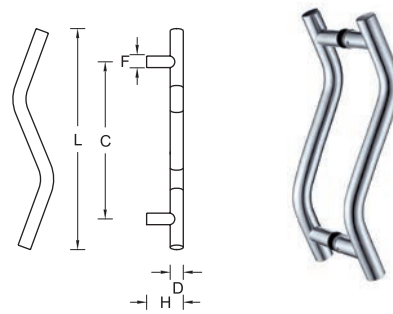
Model	D	F	H	C, L and R
DPA4023	Ø 25mm	Ø 22mm	70mm	Per project spec
DPA4024	Ø 32mm	Ø 25mm	77mm	Per project spec

ROUND GRIP CROSS SECTION PULLS

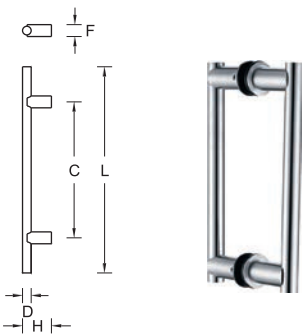
STANDOFF MOUNTED—STRAIGHT PULLS



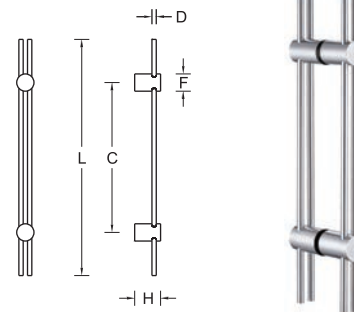
Model	D	F	H	C, L and R
DPA4026	Ø 25mm	Ø 25mm	75mm	See spec sheet
DPA4027	Ø 32mm	Ø 32mm	82mm	See spec sheet



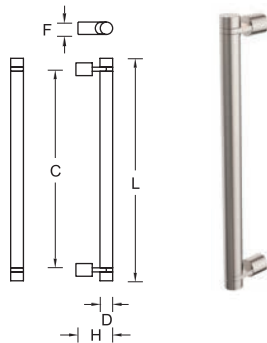
Model	D	F	H	C and L
DPA4050	Ø 25mm	Ø 25mm	70mm	300/400
DPA4051	Ø 32mm	Ø 32mm	77mm	450/600



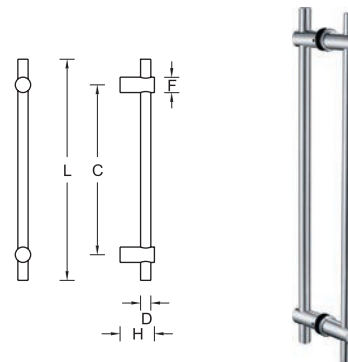
Model	D	F	H	C and L
DPA4066	Ø 19mm	Ø 25mm	65mm	Per project spec
DPA4067	Ø 25mm	Ø 30mm	70mm	Per project spec



Model	D	F	H	C and L
DPA4045	Ø 10mm	Ø 40mm	60mm	Per project spec



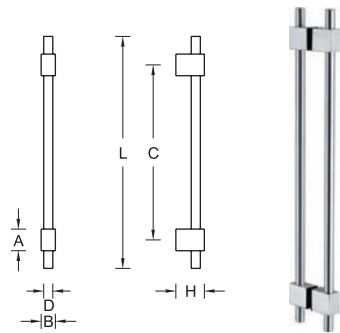
Model	D	F	H	C and L
DPA4052	Ø 25mm	Ø 25mm	72mm	Per project spec
DPA4053	Ø 32mm	Ø 32mm	79mm	Per project spec



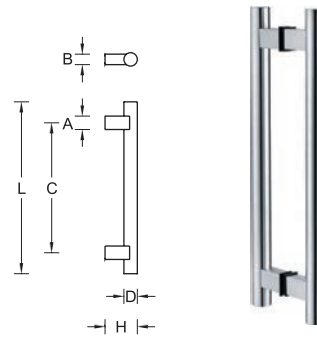
Model	D	F	H	C and L
DPA4063	Ø 16mm	Ø 22mm	60mm	Per project spec
DPA4064	Ø 19mm	Ø 25mm	70mm	Per project spec
DPA4065	Ø 25mm	Ø 30mm	70mm	Per project spec

ROUND GRIP CROSS SECTION PULLS

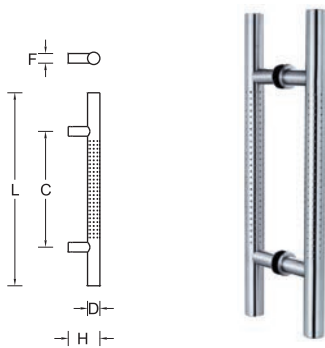
STANDOFF MOUNTED—STRAIGHT PULLS



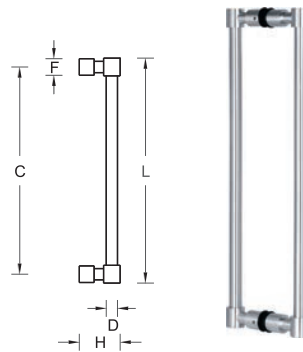
Model	D	A	B	H	C and L
DPA4070	Ø 16mm	38mm	25mm	60mm	Per project spec
DPA4071	Ø 19mm	38mm	25mm	65mm	Per project spec



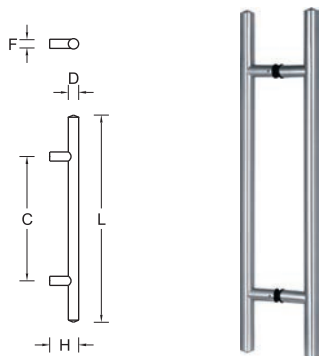
Model	D	A	B	H	C and L
DPA4074	Ø 32mm	32mm	32mm	77mm	Per project spec
DPA4075	Ø 38mm	38mm	38mm	83mm	Per project spec



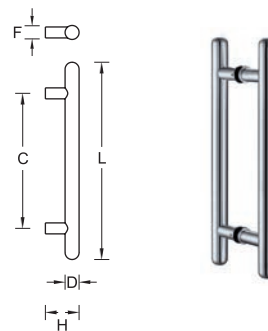
Model	D	F	H	C and L
DPA4080	Ø 25mm	Ø 22mm	64mm	Per project spec
DPA4081	Ø 32mm	Ø 25mm	70mm	Per project spec



Model	D	F	H	C and L
DPA4084	Ø 19mm	Ø 28mm	69mm	Per project spec
DPA4085	Ø 22mm	Ø 32mm	77mm	Per project spec



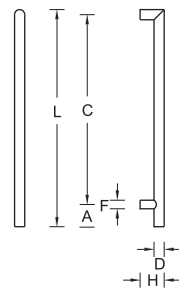
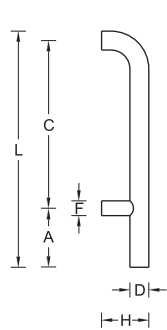
Model	D	F	H	C and L
DPA4089	Ø 25mm	Ø 22mm	64mm	Per project spec
DPA4090	Ø 30mm	Ø 25mm	69mm	Per project spec



Model	D	F	H	C and L
DPA4106	Ø 25mm	Ø 22mm	64mm	Per project spec
DPA4107	Ø 32mm	Ø 25mm	70mm	Per project spec
DPA4194	Ø 38mm	Ø 32mm	76mm	Per project spec

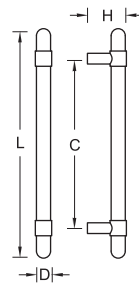
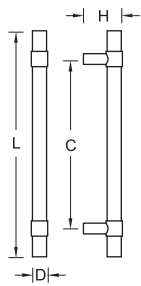
ROUND GRIP CROSS SECTION PULLS

STANDOFF MOUNTED—STRAIGHT PULLS



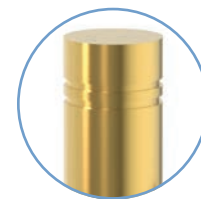
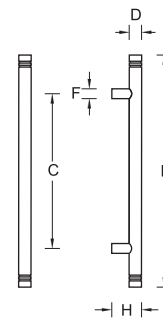
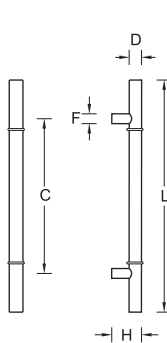
Model	D	F	A	H	C and L
DPA4108	Ø 25mm	Ø 22mm	100mm	75mm	Per project spec
DPA4109	Ø 32mm	Ø 25mm	100mm	80mm	Per project spec

Model	D	F	A	C and L
DPA4110	Ø 25mm	Ø 22mm	100mm	Per project spec
DPA4111	Ø 32mm	Ø 25mm	100mm	Per project spec



Model	D	H	C and L
DPA4060	Ø 19mm	64mm	Per project spec
DPA4120	Ø 25mm	70mm	Per project spec
DPA4185	Ø 32mm	76mm	Per project spec
DPA4205	Ø 38mm	80mm	Per project spec

Model	D	H	C and L
DPA4199	Ø 25mm	70mm	Per project spec
DPA4190	Ø 32mm	76mm	Per project spec
DPA4206	Ø 38mm	80mm	Per project spec



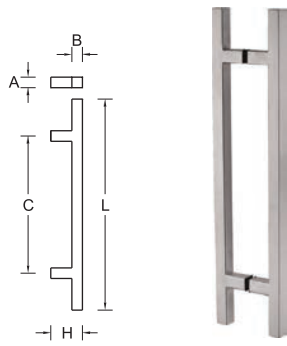
With decorative grooves

Model	D	F	H	C and L
DPA4226	Ø 38mm	Ø 25mm	88mm	Per project spec

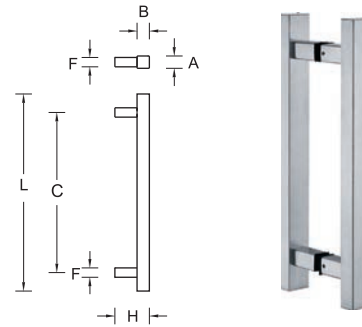
Model	D	F	H	C and L
DPA4247	Ø 19mm	Ø 13mm	44mm	Per project spec
DPA4282	Ø 25mm	Ø 22mm	70mm	Per project spec
DPA4283	Ø 32mm	Ø 25mm	76mm	Per project spec

SQUARE GRIP CROSS SECTION PULLS

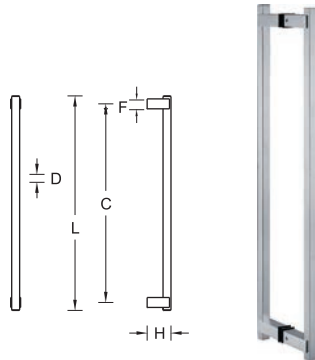
STANDOFF MOUNTED—STRAIGHT PULLS



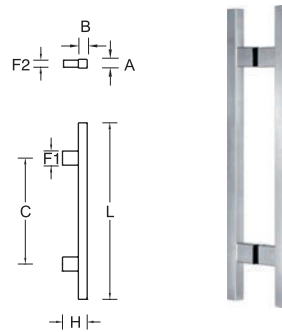
Model	A	B	H	C and L
DPB4000	30mm	30mm	75mm	Per project spec
DPB4005	25mm	25mm	70mm	Per project spec
DPB4006	19mm	19mm	65mm	Per project spec



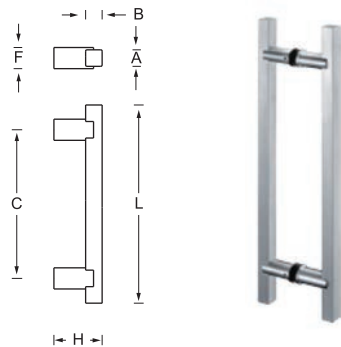
Model	A	B	F	H	C and L
DPB4001	25mm	25mm	19mm	70mm	Per project spec
DPB4002	25mm	25mm	22mm	70mm	Per project spec
DPB4025	30mm	30mm	25mm	75mm	Per project spec



Model	D	F	H	C and L
DPB4003	16mm	16mm	60mm	Per project spec
DPB4004	19mm	19mm	60mm	Per project spec



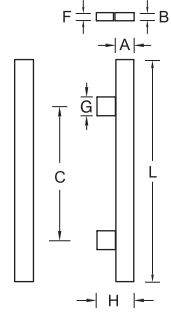
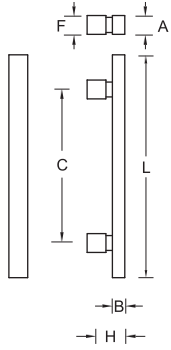
Model	A	B	F1	F2	H	C and L
DPB4012	25mm	25mm	40mm	20mm	70mm	Per project spec
DPB4013	30mm	30mm	50mm	25mm	75mm	Per project spec



Model	A	B	F	H	C and L
DPB4014	25mm	25mm	32mm	73mm	Per project spec

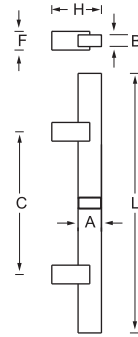
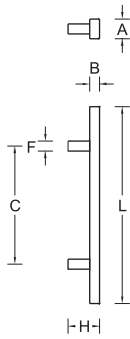
RECTANGULAR GRIP CROSS SECTION PULLS

STANDOFF MOUNTED—STRAIGHT PULLS



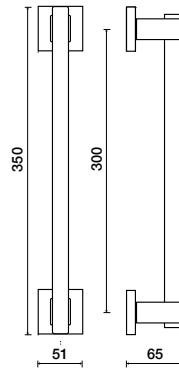
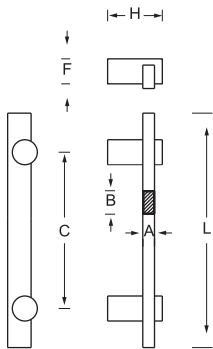
Model	A/F	B	H	C and L
DPC4000	38mm	25mm	70mm	Per project spec
DPC4044	25mm	38mm	70mm	Per project spec

Model	A/G	B/F	H	C and L
DPC4002	38mm	19mm	70mm	Per project spec



Model	A	B	F	H	C and L
DPC4010	40mm	20mm	Ø 19mm	65mm	Per project spec
DPC4011	50mm	25mm	Ø 25mm	70mm	Per project spec
DPC4014	30mm	15mm	Ø 19mm	60mm	Per project spec

Model	A	B	F	H	C and L
DPC4013	38mm	25mm	Ø 38mm	83mm	Per project spec
DPC4015	40mm	20mm	Ø 32mm	85mm	Per project spec



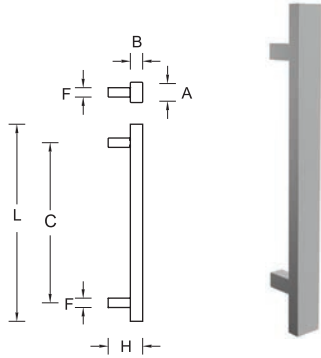
This pull matches our 925 Join lever

Model	A	B	F	H	C and L
DPC4017	15mm	30mm	Ø 32mm	85mm	Per project spec

Model
DPC4021 Join

RECTANGULAR GRIP CROSS SECTION PULLS

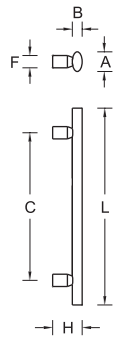
STANDOFF MOUNTED—STRAIGHT PULLS



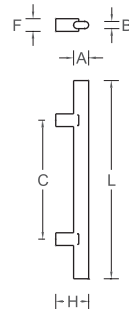
Model	A	B	F	H	C and L
DPC4023	40mm	20mm	22mm	70mm	Per project spec

OVAL GRIP CROSS SECTION PULLS

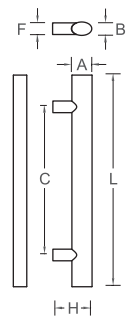
STANDOFF MOUNTED—STRAIGHT PULLS



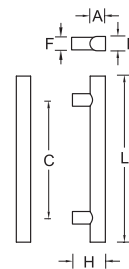
Model	A	B	F	H	C and L
DPD4000	40mm	20mm	Ø 25mm	60mm	Per project spec



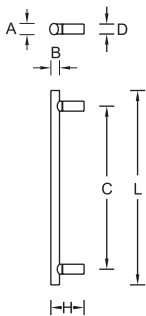
Model	A	B	F	H	C and L
DPD4004	38mm	18mm	Ø 32mm	83mm	Per project spec
DPD4005	45mm	25mm	Ø 38mm	90mm	Per project spec



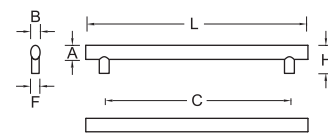
Model	A	B	F	H	C and L
DPD4007	40mm	20mm	Ø 25mm	70mm	Per project spec



Model	A/G	B/F	H	C and L
DPD4010	38mm	25mm	76mm	Per project spec



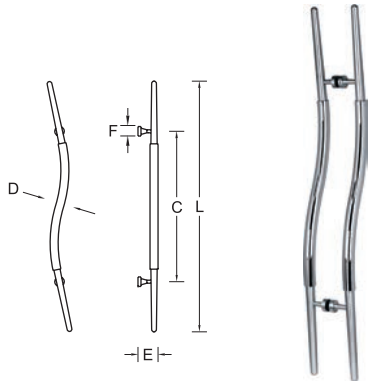
Model	D	A	B	H	C and L
DPD4017	Ø 19mm	21.5mm	16.5mm	64mm	Per project spec
DPD4018	Ø 22mm	25.2mm	19.4mm	67mm	Per project spec



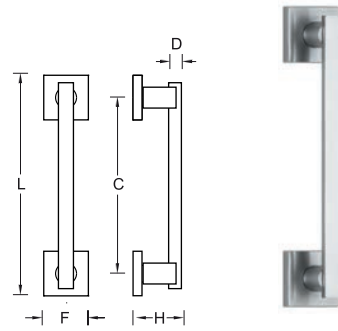
Model	A	B	F	H	C and L
DPD4015	40mm	20mm	Ø 25mm	51mm	Per project spec

VARIED GRIP CROSS SECTION PULLS

STANDOFF MOUNTED—STRAIGHT PULLS

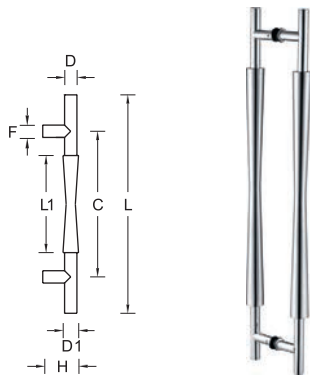


Model	D	F	E	C and L
DPE4002	Ø 21mm	21mm	53mm	Per project spec

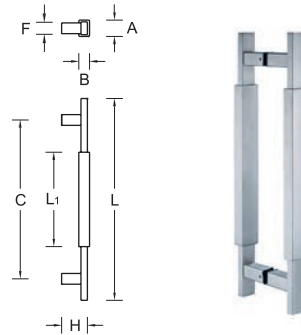


This pull matches our 650 Kale lever

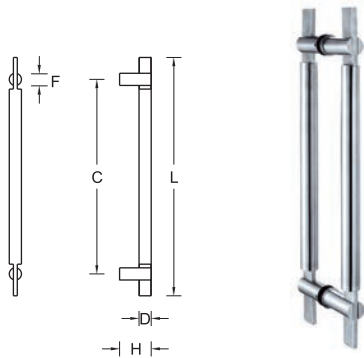
Model	D	F	H	C and L
DPE4026	Ø 30mm	51mm	55mm	Per project spec



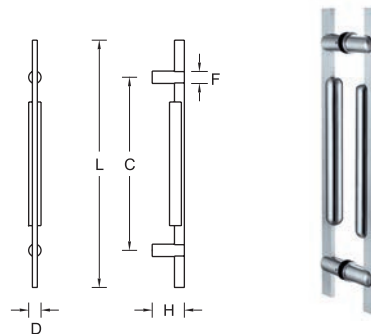
Model	D	D1	F	H	C, L and L1
DPE4027	Ø 19mm	Ø 32mm	19mm	70mm	Per project spec



Model	A	B	F	H	C, L and L1
DPE4029	38mm	25mm	30mm	60mm	Per project spec
DPE4133	50mm	25mm	30mm	70mm	Per project spec



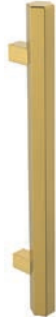
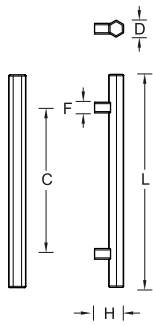
Model	D	F	H	C and L
DPE4030	Ø 25mm	Ø 25mm	70mm	Per project spec
DPE4031	Ø 32mm	Ø 32mm	77mm	Per project spec



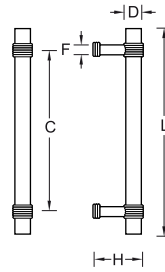
Model	D	F	H	B, C and L
DPE4032	Ø 25mm	Ø 25mm	65mm	Per project spec
DPE4033	Ø 32mm	Ø 32mm	75mm	Per project spec

VARIED GRIP CROSS SECTION PULLS

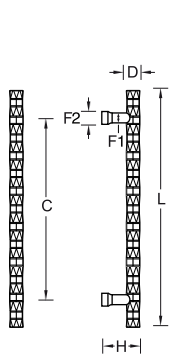
STANDOFF MOUNTED—STRAIGHT PULLS



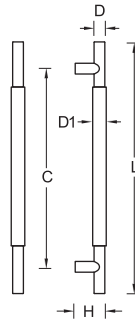
Model	D	F	H	C and L
DPE4036	32mm	25mm	70mm	Per project spec



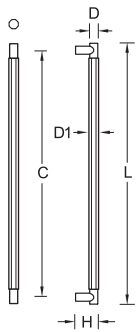
Model	D	F	H	C and L
DPE4073	Ø 25mm	16mm	79mm	Per project spec



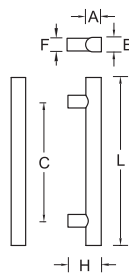
Model	D	F1	F2	H	C and L
DPE4126	Ø 19mm	15mm	19mm	54mm	Per project spec



Model	D	D1	H	C, L and L1
DPE4138	Ø 25mm	Ø 32mm	70mm	Per project spec



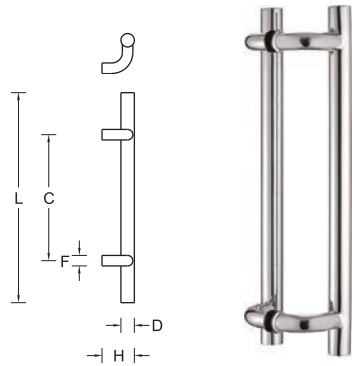
Model	D	D1	H	C, L and L1
DPE4164	Ø 20mm	Ø 22mm	62mm	Per project spec



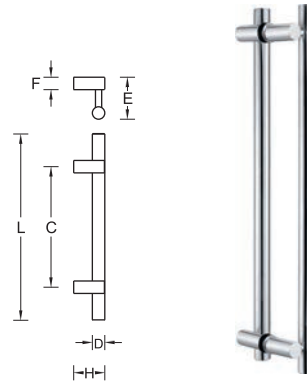
Model	A	B	F	H	C, L and L1
DPE4172	32mm	30mm	Ø 25mm	70mm	Per project spec

ROUND GRIP CROSS SECTION PULLS

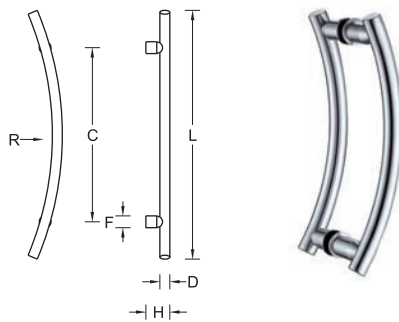
STANDOFF MOUNTED—OFFSET PULLS



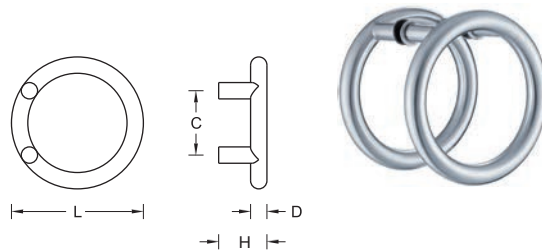
Model	D	F	H	C and L
DPA4011	Ø 25mm	Ø 22mm	75mm	Per project spec
DPA4012	Ø 32mm	Ø 25mm	80mm	Per project spec



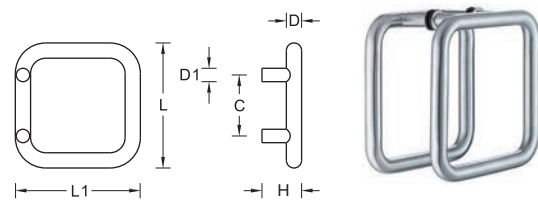
Model	D	F	H	C, E and L
DPA4015	Ø 25mm	Ø 25mm	70mm	Per project spec
DPA4016	Ø 32mm	Ø 32mm	80mm	Per project spec



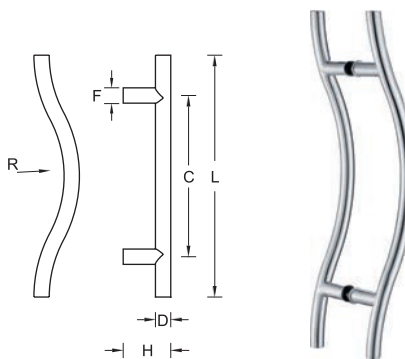
Model	D	F	H	C, L and R
DPA4019	Ø 25mm	Ø 32mm	70mm	Per project spec
DPA4020	Ø 32mm	Ø 38mm	77mm	Per project spec



Model	D	H	C	L
DPA4025	Ø 25mm	75mm	100mm	205mm



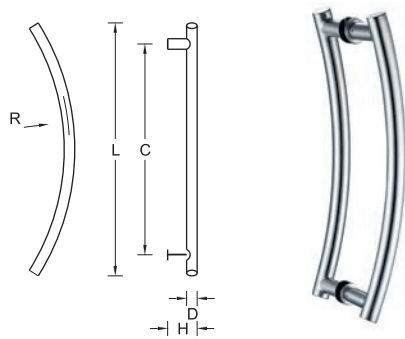
Model	D	D1	H	C	L and L1
DPA4028	Ø 25mm	Ø 22mm	65mm	100mm	205mm



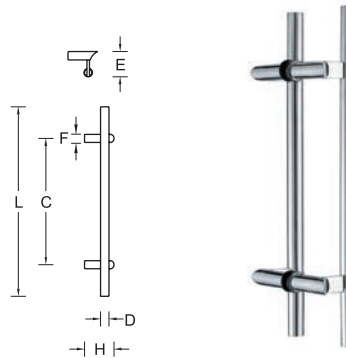
Model	D	F	H	C, L and R
DPA4035	Ø 25mm	Ø 25mm	70mm	Per project spec
DPA4036	Ø 32mm	Ø 32mm	77mm	Per project spec

ROUND GRIP CROSS SECTION PULLS

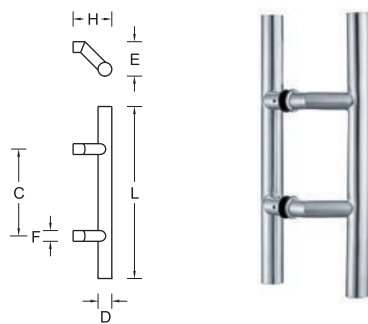
STANDOFF MOUNTED—OFFSET PULLS



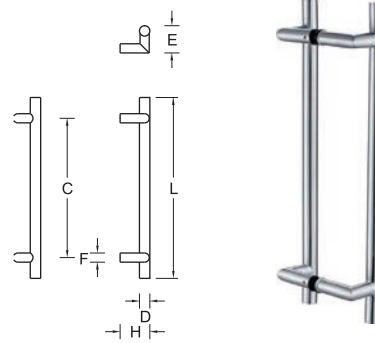
Model	D	H	C, L and R
DPA4039	Ø 25mm	70mm	Per project spec
DPA4040	Ø 32mm	77mm	Per project spec



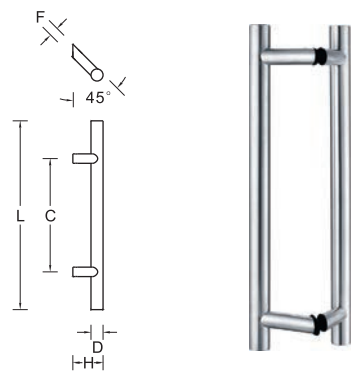
Model	D	F	H	C, E and L
DPA4042	Ø 20mm	Ø 20mm	70mm	Per project spec
DPA4043	Ø 25mm	Ø 25mm	75mm	Per project spec



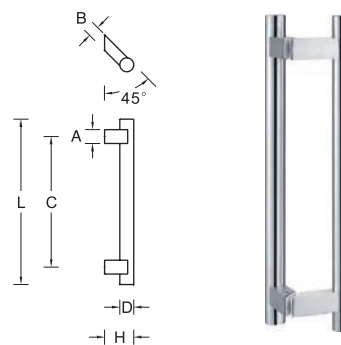
Model	D	F	H	C, E and L
DPA4048	Ø 32mm	Ø 32mm	90mm	Per project spec



Model	D	F	H	C, E and L
DPA4056	Ø 25mm	Ø 22mm	70mm	Per project spec
DPA4057	Ø 32mm	Ø 25mm	77mm	Per project spec



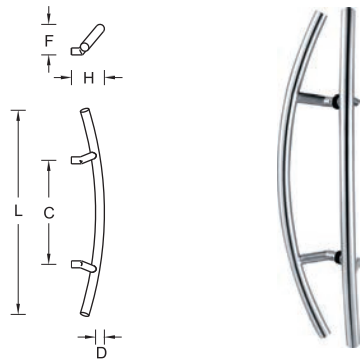
Model	D	F	H	C and L
DPA4061	Ø 25mm	Ø 22mm	70mm	Per project spec
DPA4062	Ø 32mm	Ø 25mm	77mm	Per project spec



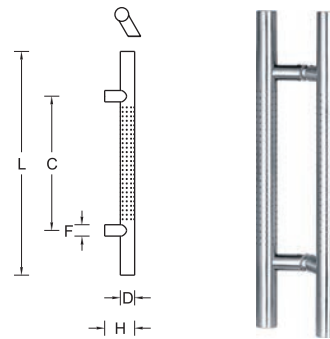
Model	D	A	B	H	C and L
DPA4068	Ø 32mm	32mm	25mm	67mm	Per project spec
DPA4069	Ø 38mm	38mm	32mm	73mm	Per project spec

ROUND GRIP CROSS SECTION PULLS

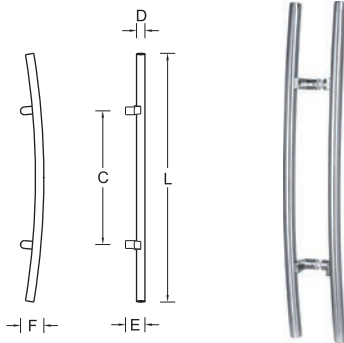
STANDOFF MOUNTED—OFFSET PULLS



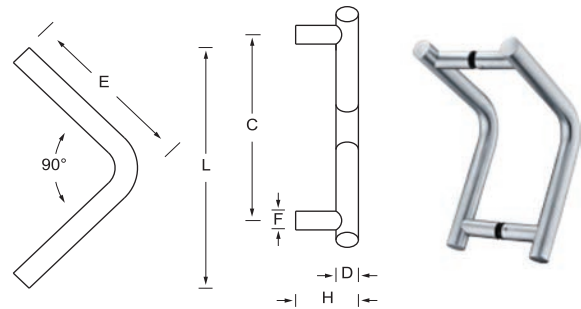
Model	D	F	H	C, E and L
DPA4079	Ø 25mm	25mm	95mm	Per project spec



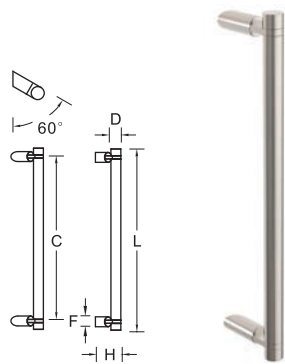
Model	D	F	H	C and L
DPA4082	Ø 25mm	Ø 25mm	60mm	Per project spec
DPA4083	Ø 32mm	Ø 25mm	67mm	Per project spec



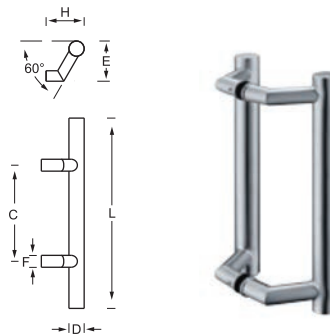
Model	D	H	C and L
DPA4086	Ø 22mm	50mm	Per project spec



Model	D	F	H	C	E	L
DPA4087	Ø 25mm	Ø 22mm	70mm	480mm	400mm	566mm



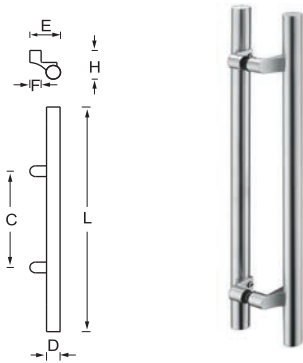
Model	D	F	H	C and L
DPA4091	Ø 32mm	Ø 32mm	77mm	Per project spec



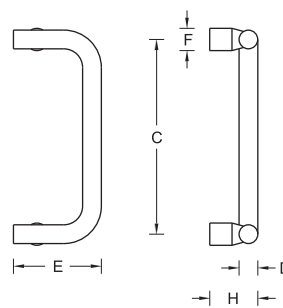
Model	D	F	H	C, E and L
DPA4092	Ø 32mm	Ø 22mm	80mm	Per project spec

ROUND GRIP CROSS SECTION PULLS

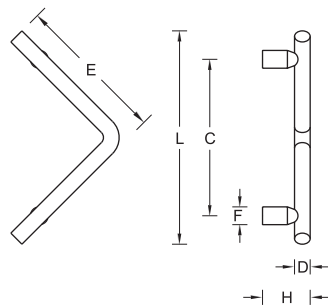
STANDOFF MOUNTED—OFFSET PULLS



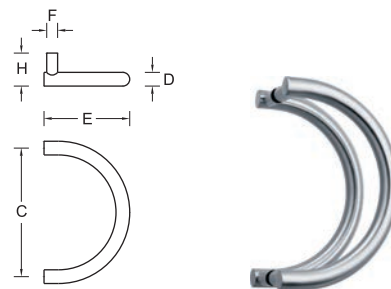
Model	D	F	H	E	C and L
DPA4098	Ø 25mm	Ø 25mm	68mm	66mm	Per project spec
DPA4150	Ø 32mm	Ø 25mm	75mm	66mm	Per project spec
DPA4158	Ø 38mm	Ø 25mm	81mm	66mm	Per project spec



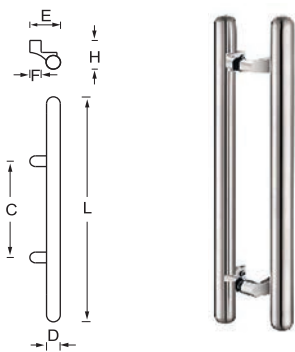
Model	D	F	H	C, E and L
DPA4103	Ø 32mm	Ø 38mm	77mm	Per project spec



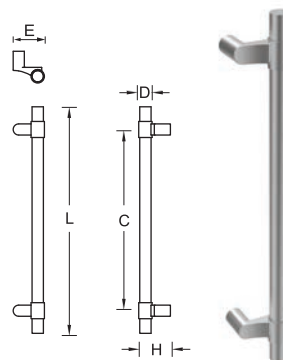
Model	D	F	H	C	E	L
DPA4104	Ø 25mm	Ø 32mm	70mm	480mm	200mm	566mm
DPA4105	Ø 32mm	Ø 32mm	77mm	480mm	200mm	566mm



Model	D	F	H	C	E
DPA4112	Ø 25mm	Ø 22mm	70mm	300mm	175mm
DPA4113	Ø 32mm	Ø 25mm	77mm	400mm	250mm



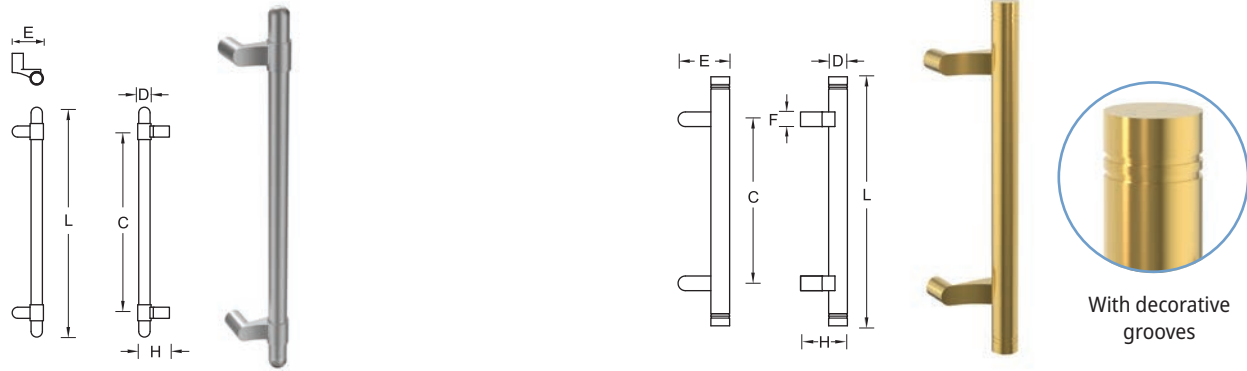
Model	D	F	H	E	C and L
DPA4156	Ø 25mm	Ø 25mm	68mm	66mm	Per project spec
DPA4159	Ø 32mm	Ø 25mm	75mm	66mm	Per project spec
DPA4195	Ø 38mm	Ø 25mm	81mm	66mm	Per project spec



Model	D	H	E	C and L
DPA4200	Ø 25mm	71mm	66mm	Per project spec
DPA4184	Ø 32mm	73mm	66mm	Per project spec
DPA4207	Ø 38mm	84mm	66mm	Per project spec

ROUND GRIP CROSS SECTION PULLS

STANDOFF MOUNTED—OFFSET PULLS

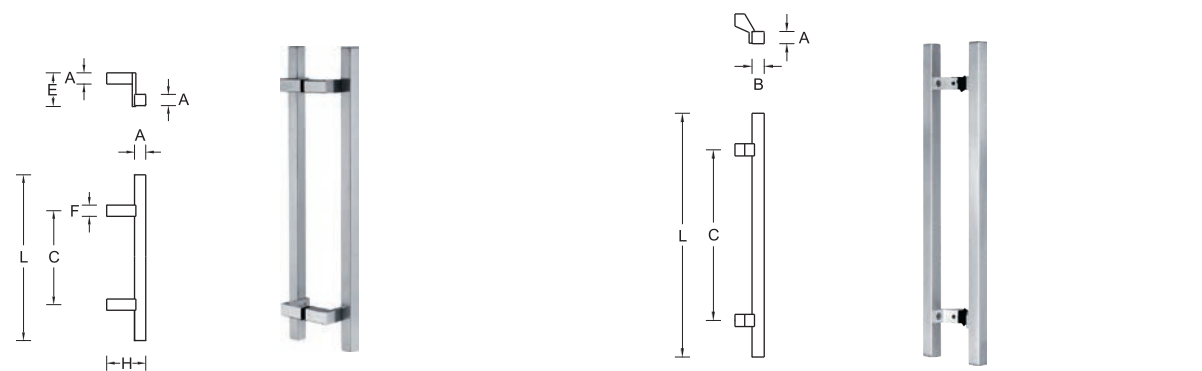


Model	D	H	E	C and L
DPA4201	Ø 25mm	71mm	66mm	Per project spec
DPA4191	Ø 32mm	78mm	66mm	Per project spec
DPA4208	Ø 38mm	84mm	66mm	Per project spec

Model	D	H	F	E	C and L
DPA4221	Ø 25mm	64mm	25mm	66mm	Per project spec
DPA4281	Ø 32mm	76mm	25mm	66mm	Per project spec

SQUARE GRIP CROSS SECTION PULLS

STANDOFF MOUNTED—OFFSET PULLS

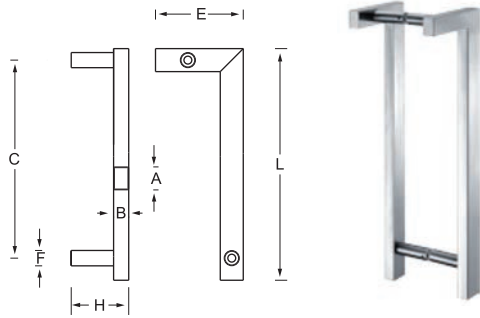


Model	A	F	H	C, E and L
DPB4008	20mm	20mm	82mm	Per project spec
DPB4009	25mm	25mm	87mm	Per project spec
DPB4010	30mm	30mm	92mm	Per project spec

Model	A	B	H	C and L
DPB4011	25mm	25mm	67mm	Per project spec

RECTANGULAR GRIP CROSS SECTION PULLS

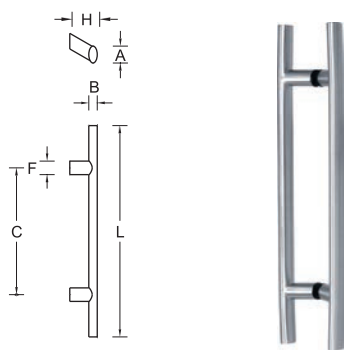
STANDOFF MOUNTED—OFFSET PULLS



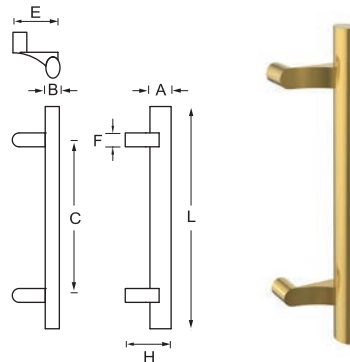
Model	A	B	E	F	H	C and L
DPC4024	38mm	25mm	145mm	Ø 25mm	95mm	Per project spec

OVAL GRIP CROSS SECTION PULLS

STANDOFF MOUNTED—OFFSET PULLS



Model	A	B	F	H	C and L
DPD4006	40mm	20mm	Ø 32mm	65mm	Per project spec



Model	A	B	E	F	H	C and L
DPD4014	38mm	25mm	66mm	Ø 25mm	83mm	Per project spec

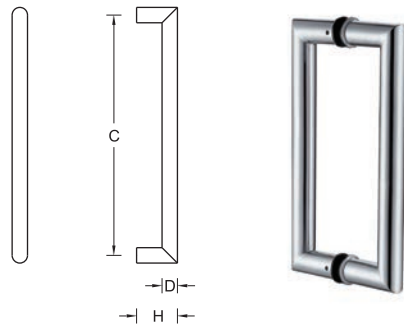
INFINITY MOUNTED PULLS

Infinity mounted pulls have a shape that allows both ends of the pull grip to flow directly into the door surface.

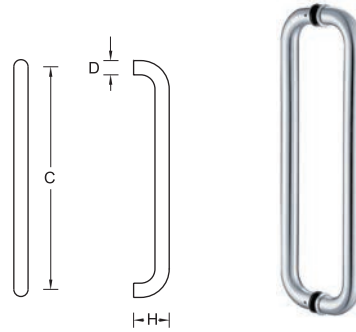


ROUND GRIP CROSS SECTION PULLS

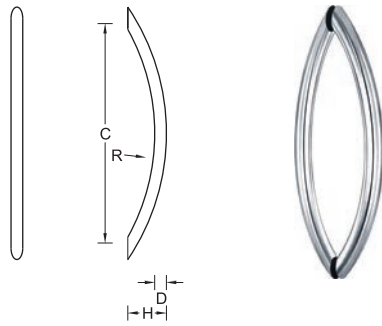
INFINITY MOUNTED—STRAIGHT PULLS



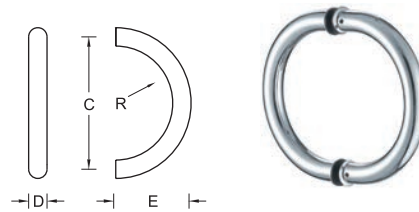
Model	D	H	C
DPA1000	Ø 25mm	70mm	Per project spec
DPA1027	Ø 32mm	80mm	Per project spec



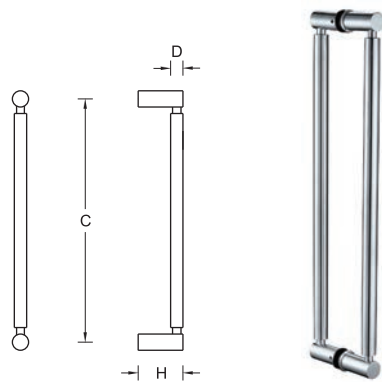
Model	D	H	C
DPA1001	Ø 25mm	75mm	Per project spec
DPA1006	Ø 32mm	80mm	Per project spec



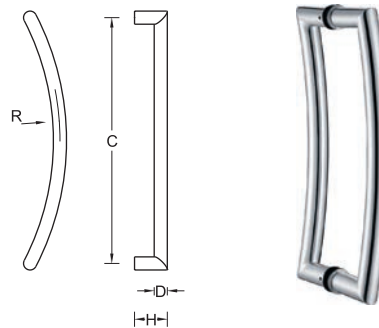
Model	D	H	C	R
DPA1002	Ø 19mm	55mm	200mm	150mm
DPA1064	Ø 32mm	106mm	600mm	584mm



Model	D	H	C	E	R
DPA1011	Ø 25mm	78mm	180mm	103mm	78mm



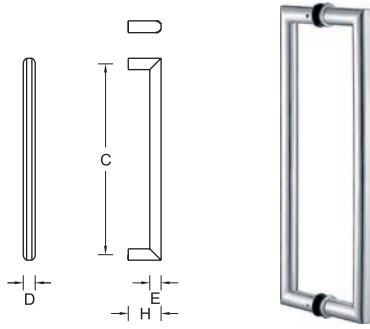
Model	D	H	C
DPA1021	Ø 19mm	75mm	Per project spec
DPA1022	Ø 25mm	80mm	Per project spec



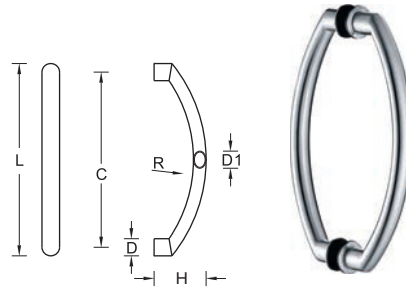
Model	D	H	C	R
DPA1043	Ø 20mm	70mm	400mm	415mm
DPA1044	Ø 32mm	80mm	600mm	637mm

ROUND GRIP CROSS SECTION PULLS

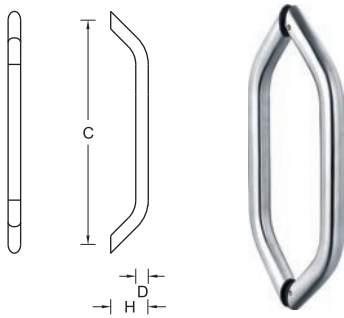
INFINITY MOUNTED—STRAIGHT PULLS



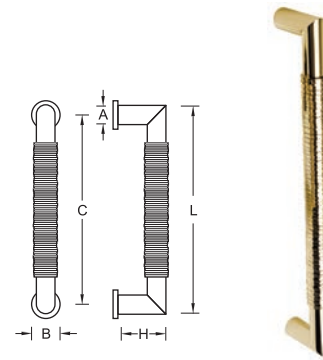
Model	D	H	C and E
DPA1062	Ø 32mm	80mm	Per project spec
DPA1063	Ø 25mm	70mm	Per project spec



Model	D	H	C	D1	L	R
DPA1066	Ø 25mm	65mm	225mm	16x22mm	247mm	75mm



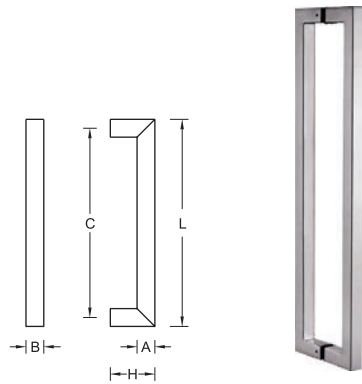
Model	D	H	C
DPA1102	Ø 25mm	75mm	Per project spec



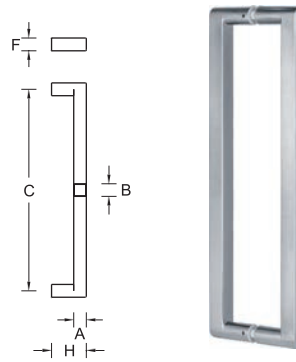
Model	A	B	H	C and L
DPA1115	20mm	30mm	57mm	Per project spec

SQUARE GRIP CROSS SECTION PULLS

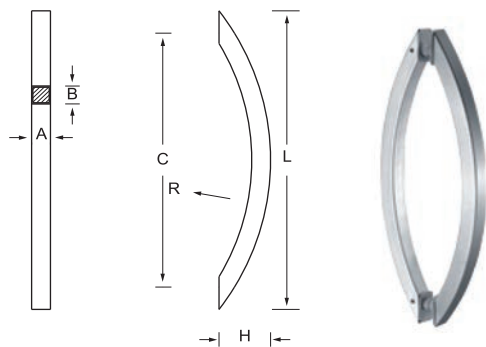
INFINITY MOUNTED—STRAIGHT PULLS



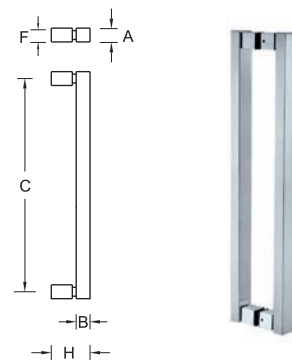
Model	A	B	H	C and L
DPB1000	25mm	25mm	70mm	Per project spec
DPB1031	19mm	19mm	63mm	Per project spec
DPB1032	32mm	32mm	76mm	Per project spec



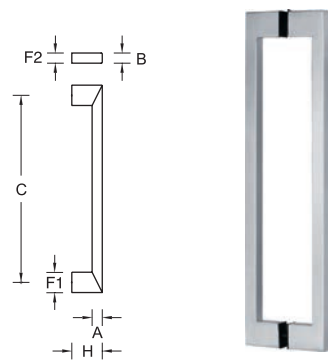
Model	A	B	F	H	C
DPB1034	25mm	25mm	25mm	70mm	Per project spec
DPB1035	30mm	30mm	30mm	75mm	Per project spec



Model	A	B	H	C	L	R
DPB1006	19mm	19mm	52mm	270mm	318mm	249mm



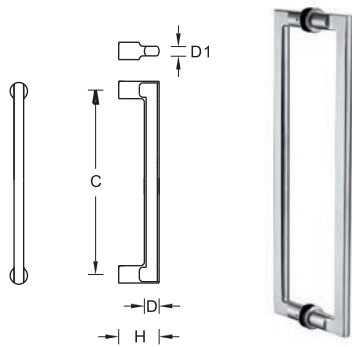
Model	A	B	H	C
DPB1007	25mm	25mm	70mm	Per project spec



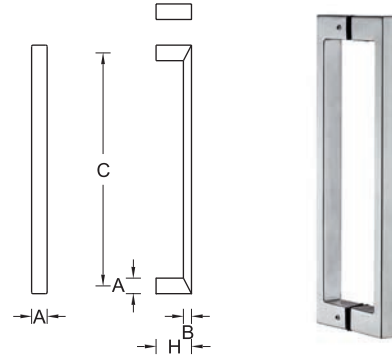
Model	A	B	F1	F2	H	C
DPB1005	19mm	19mm	38mm	19mm	66mm	Per project spec
DPB1042	13mm	13mm	25mm	13mm	60mm	Per project spec
DPB1036	25mm	25mm	38mm	25mm	70mm	Per project spec

RECTANGULAR GRIP CROSS SECTION PULLS

INFINITY MOUNTED—STRAIGHT PULLS

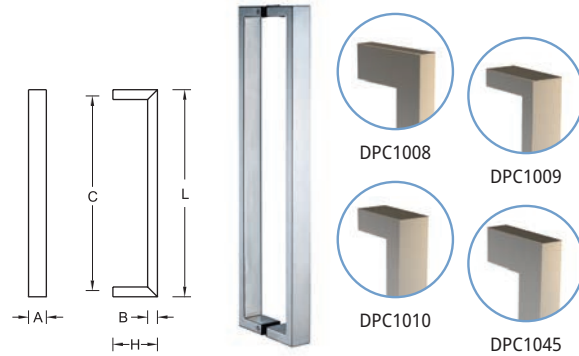
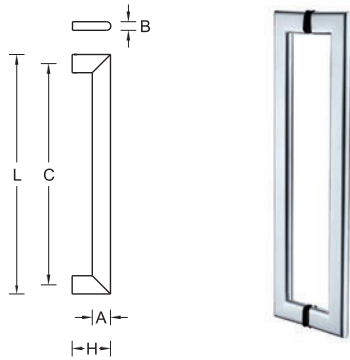


This pull matches our 270 Metro lever



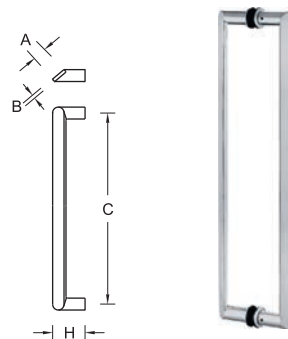
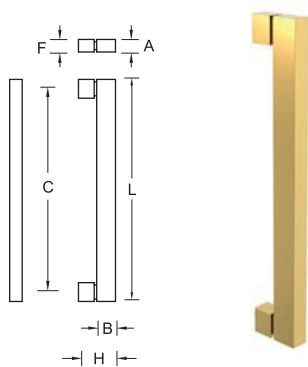
Model	D	D1	H	C
DPC1001	28mm	19mm	79mm	Per project spec
DPC1028	23mm	20mm	51mm	Per project spec

Model	A	B	H	C
DPC1002	25mm	13mm	58mm	Per project spec
DPC1024	30mm	15mm	60mm	Per project spec



Model	A	B	H	C
DPC1003	38mm	18mm	83mm	Per project spec

Model	A	B	H	C and L
DPC1008	13mm	25mm	58mm	Per project spec
DPC1009	25mm	13mm	70mm	Per project spec
DPC1010	38mm	25mm	83mm	Per project spec
DPC1045	25mm	38mm	70mm	Per project spec

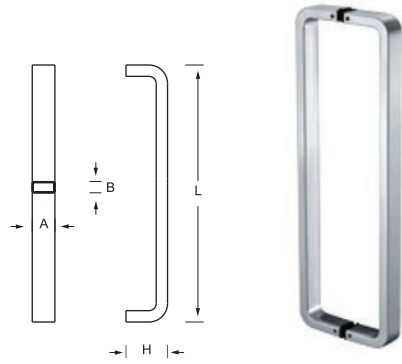


Model	A/F	B	H	C
DPC1011	25mm	38mm	83mm	Per project spec
DPC1029	38mm	25mm	76mm	Per project spec

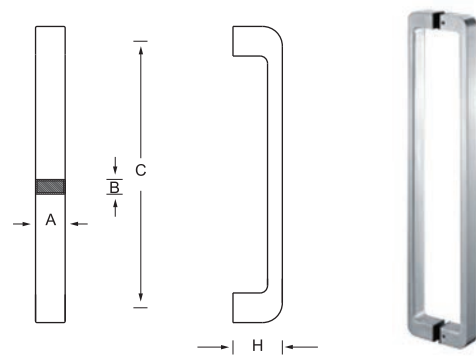
Model	A	B	H	C
DPC1030	28mm	6mm	60mm	Per project spec

RECTANGULAR GRIP CROSS SECTION PULLS

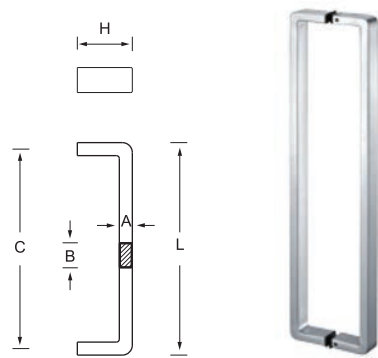
INFINITY MOUNTED—STRAIGHT PULLS



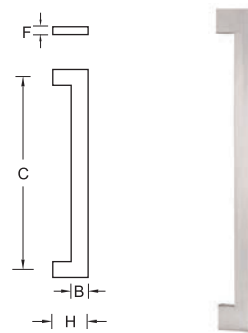
Model	A	B	H	C and L
DPC1035	30mm	15mm	70mm	Per project spec



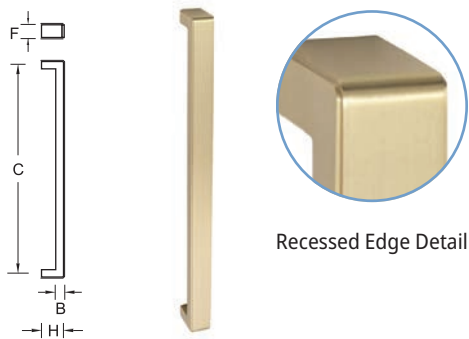
Model	A	B	H	C
DPC1042	30mm	15mm	50mm	Per project spec



Model	A	B	H	C and L
DPC1043	25mm	13mm	55mm	Per project spec



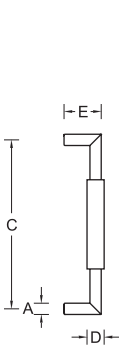
Model	F	B	H	C and L
DPC1075	20mm	40mm	76mm	Per project spec



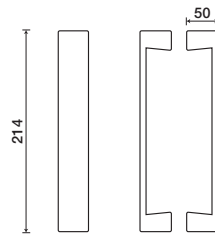
Model	A	B	H	W	C and L
DPC1093	19mm	32mm	51mm	19mm	Per project spec

VARIED GRIP CROSS SECTION PULLS

INFINITY MOUNTED—STRAIGHT PULLS

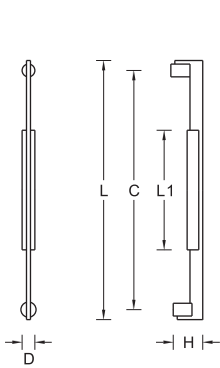


Model	A	D	E	C
DPE1003	25mm	35mm	73mm	Per project spec
DPE1073	19mm	25mm	69mm	Per project spec

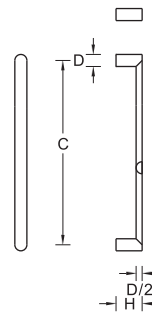


This pull matches our 620 Tuke lever

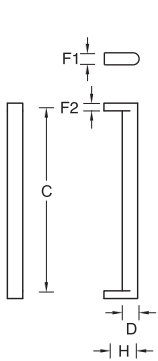
Model
DPE1020 Siena



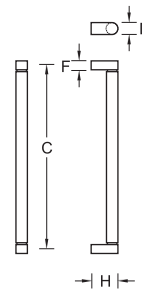
Model	D	H	C and L
DPE1059	Ø 32mm	80mm	Per project spec
DPE1060	Ø 38mm	85mm	Per project spec



Model	D	D2	H	C
DPE1061	25mm	13mm	65mm	Per project spec
DPE1062	32mm	16mm	70mm	



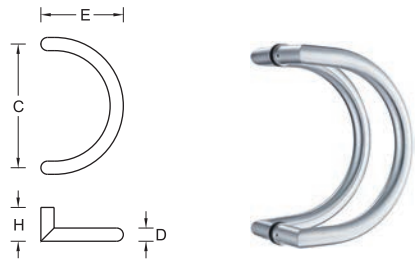
Model	D	H	F1	F2	C and L
DPE1043	32mm	70mm	30mm	20mm	Per project spec



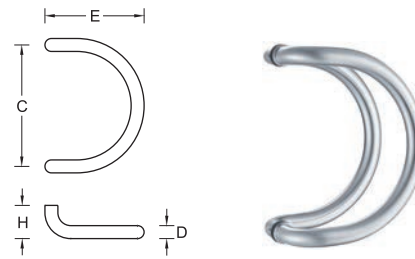
Model	D	F	H	C
DPE1069	Ø 32mm	25mm	45mm	Per project spec

ROUND GRIP CROSS SECTION PULLS

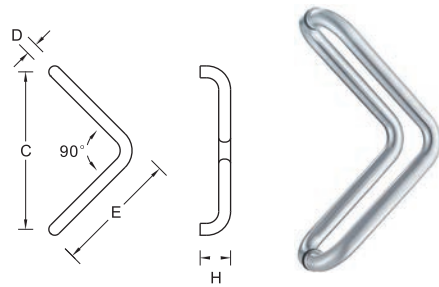
INFINITY MOUNTED—OFFSET PULLS



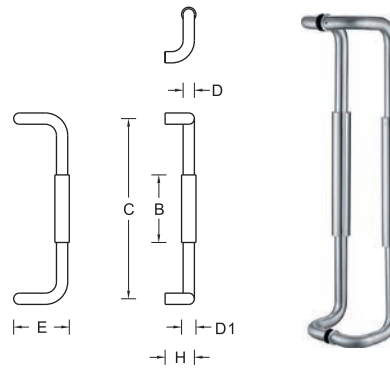
Model	D	H	C and E
DPA1005	Ø 25mm	70mm	Per project spec
DPA1010	Ø 32mm	80mm	Per project spec



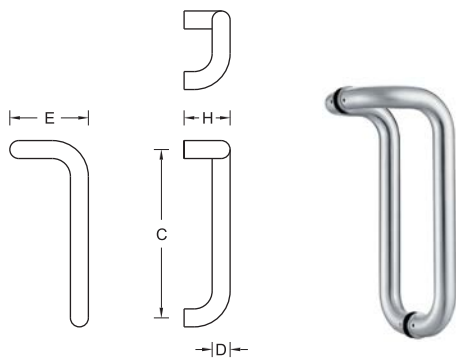
Model	D	H	C and E
DPA1007	Ø 25mm	75mm	Per project spec
DPA1008	Ø 32mm	80mm	Per project spec



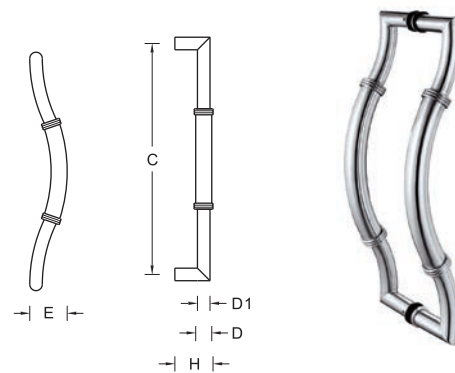
Model	D	H	C and E
DPA1012	Ø 25mm	75mm	Per project spec
DPA1013	Ø 32mm	80mm	Per project spec



Model	D	D1	H	B, C and E
DPA1023	Ø 25mm	Ø 32mm	75mm	Per project spec



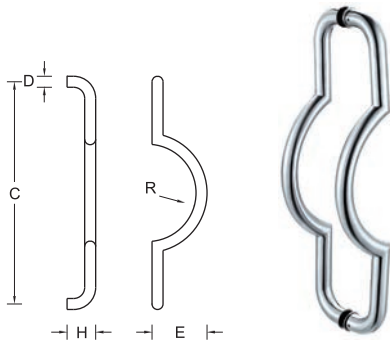
Model	D	H	E	C
DPA1038	Ø 25mm	75mm	130mm	Per project spec
DPA1039	Ø 32mm	80mm	140mm	Per project spec



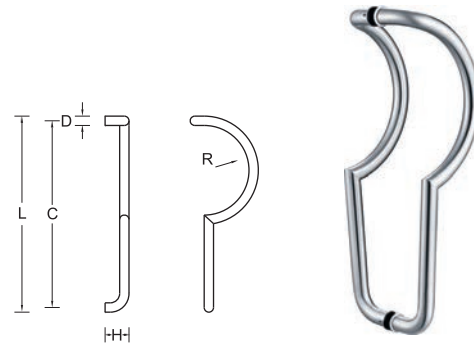
Model	D	D1	H	C	E
DPA1037	Ø 32mm	Ø 25mm	70mm	450mm	75mm

ROUND GRIP CROSS SECTION PULLS

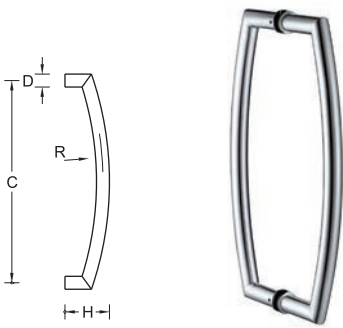
INFINITY MOUNTED—OFFSET PULLS



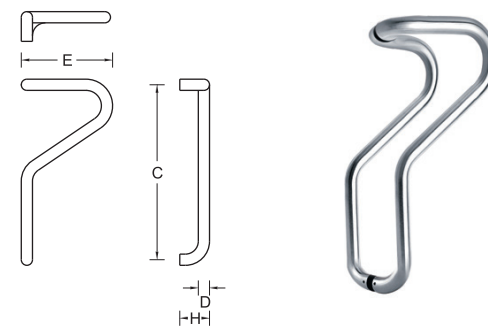
Model	D	H	C and R
DPA1040	Ø 25mm	65mm	Per project spec



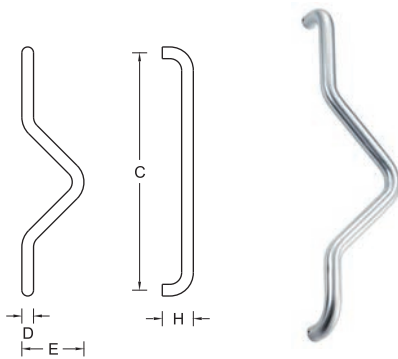
Model	D	H	C, R and L
DPA1041	Ø 25mm	70mm	Per project spec
DPA1042	Ø 32mm	77mm	Per project spec



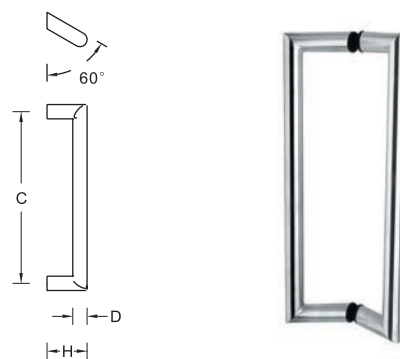
Model	D	H	C	R
DPA1045	Ø 25mm	110mm	400mm	650mm
DPA1046	Ø 32mm	118mm	600mm	750mm



Model	D	H	C	E
DPA1048	Ø 25mm	80mm	600mm	260mm
DPA1049	Ø 32mm	85mm	500mm	261mm



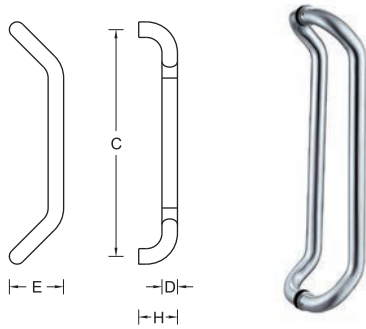
Model	D	H	E	C
DPA1050	Ø 25mm	80mm	170mm	Per project spec
DPA1051	Ø 32mm	85mm	170mm	Per project spec



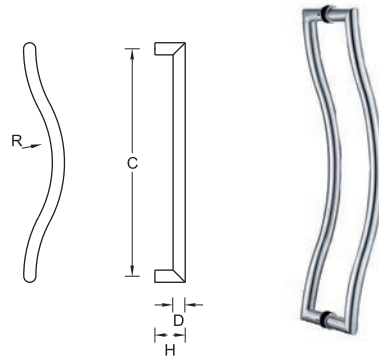
Model	D	H	C
DPA1052	Ø 25mm	70mm	Per project spec
DPA1053	Ø 32mm	77mm	Per project spec

ROUND GRIP CROSS SECTION PULLS

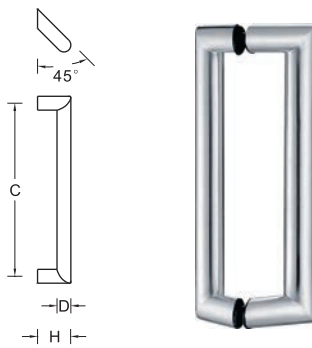
INFINITY MOUNTED—OFFSET PULLS



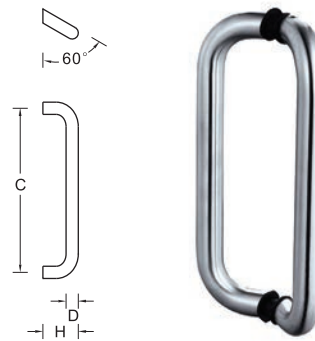
Model	D	H	E	C
DPA1055	Ø 32mm	80mm	112mm	Per project spec



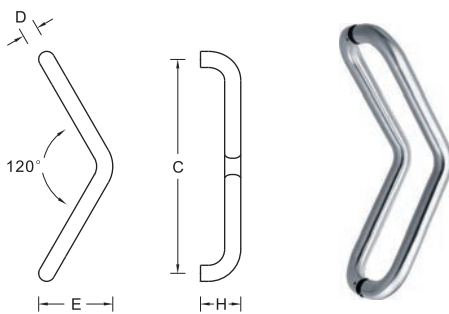
Model	D	H	C	R
DPA1056	Ø 25mm	70mm	400mm	200mm
DPA1057	Ø 32mm	77mm	800mm	400mm



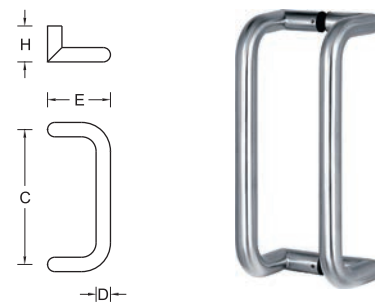
Model	D	H	C
DPA1069	Ø 32mm	77mm	Per project spec
DPA1070	Ø 25mm	70mm	Per project spec



Model	D	H	C
DPA1071	Ø 32mm	80mm	Per project spec
DPA1072	Ø 25mm	75mm	Per project spec



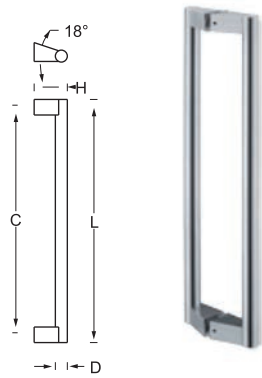
Model	D	H	C	E
DPA1073	Ø 32mm	80mm	600mm	198mm
DPA1074	Ø 25mm	75mm	450mm	150mm



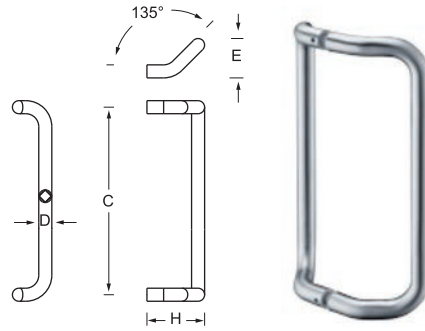
Model	D	H	C and E
DPA1077	Ø 32mm	80mm	Per project spec
DPA1078	Ø 25mm	75mm	Per project spec

ROUND GRIP CROSS SECTION PULLS

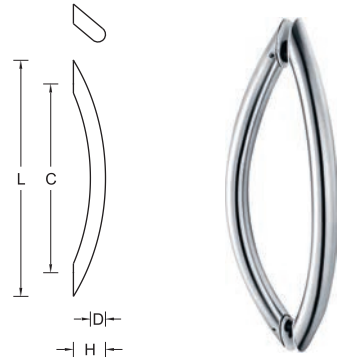
INFINITY MOUNTED—OFFSET PULLS



Model	D	H	C and L
DPA1080	Ø 40mm	70mm	Per project spec



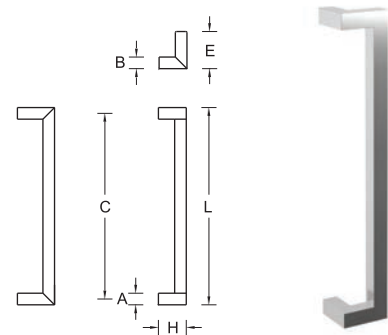
Model	D	H	C and E
DPA1086	Ø 19mm	84mm	Per project spec



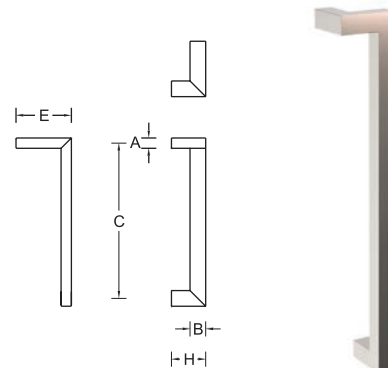
Model	D	H	C and L
DPA1105	Ø 25mm	60mm	Per project spec
DPA1106	Ø 32mm	68mm	Per project spec

SQUARE GRIP CROSS SECTION PULLS

INFINITY MOUNTED—OFFSET PULLS



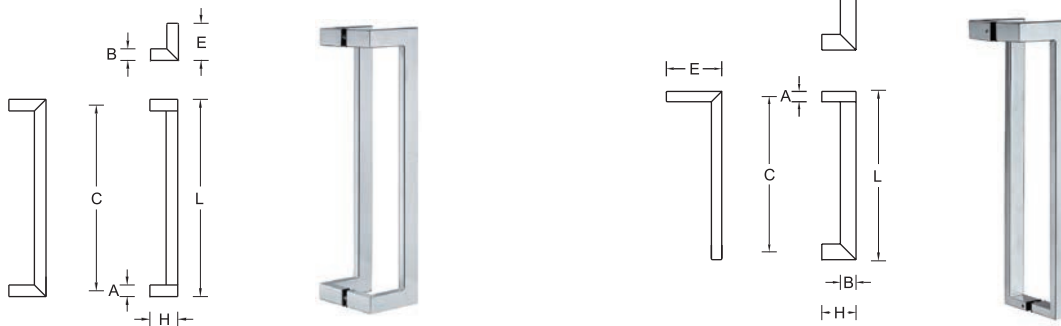
Model	A	B	H	E	C and L
DPB1003	25mm	25mm	70mm	80mm	Per project spec



Model	A	B	H	C and E
DPB1004	25mm	25mm	70mm	Per project spec

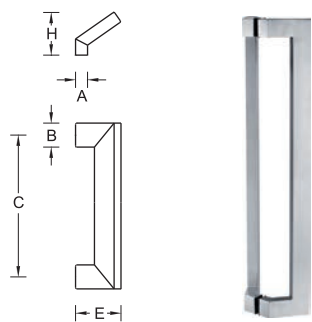
RECTANGULAR GRIP CROSS SECTION PULLS

INFINITY MOUNTED—OFFSET PULLS

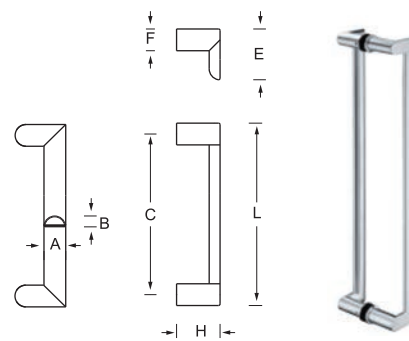


Model	A	B	H	E	C and L
DPC1000	25mm	13mm	58mm	102mm	Per project spec
DPC1014	13mm	25mm	70mm	102mm	Per project spec
DPC1015	38mm	25mm	70mm	102mm	Per project spec
DPC1016	25mm	38mm	83mm	102mm	Per project spec

Model	A	B	H	E	C and L
DPC1018	25mm	13mm	58mm	60mm	Per project spec
DPC1019	13mm	25mm	70mm	60mm	Per project spec
DPC1020	38mm	25mm	70mm	110mm	Per project spec
DPC1021	25mm	38mm	83mm	110mm	Per project spec



Model	A	B	H	C
DPC1031	20mm	40mm	72mm	Per project spec



Model	F	H	A	B	E	C and L
DPC1041	Ø 30mm	80mm	30mm	15mm	70mm	Per project spec

VARIED GRIP CROSS SECTION PULLS

INFINITY MOUNTED—OFFSET PULLS



Model	A	B	D	H	C and L
DPE1057	50mm	38mm	20mm	100mm	Per project spec

Model	A/F	B	E/H	C
DPC1153	25mm	35mm	73mm	Per project spec

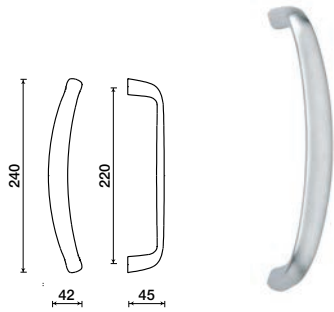
SCULPTED PULLS

Sculpted pulls are contoured cast, asymmetric, and other creative design shapes beyond simple geometric shapes and components.



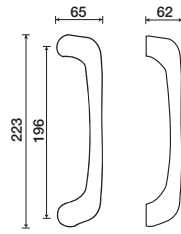
VARIED GRIP CROSS SECTION PULLS

SCULPTED—OFFSET PULLS



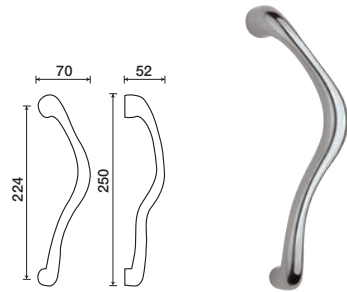
Model

DPE7021 Easy



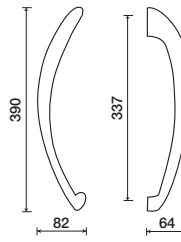
Model

DPE7022 Fenice



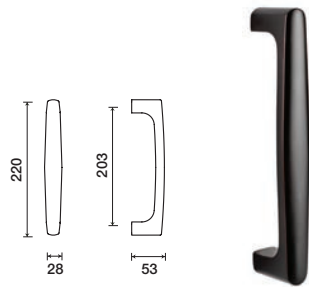
Model

DPE7023 Pavone



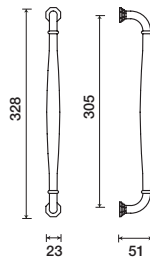
Model

DPE7012 Arpa



Model

DPE1054 Transitional Pull



Model

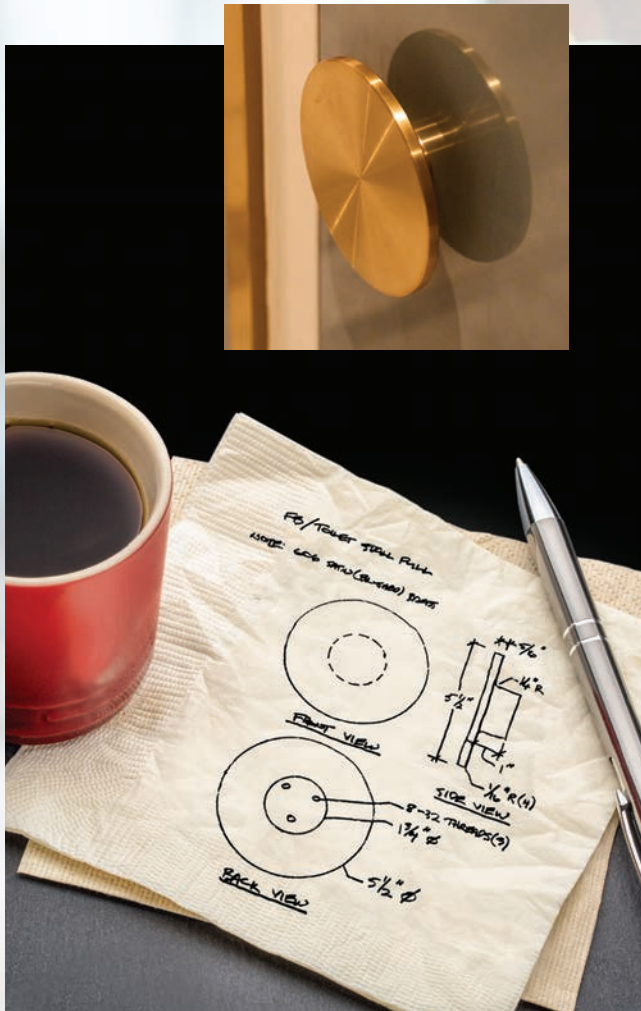
DPE1033 Traditional Pull

Responsive Creativity

Unlimited Possibilities

Your creativity can take shape in a variety of different forms, ranging from design modifications for our existing products, to all new designs for levers, roses, escutcheons, or pulls.

If you can imagine it, our talented design team can figure out how to engineer and produce it. We use 3D CAD technology to bring your ideas to life.



Deliver something remarkable without creative compromise?

If you're looking for something out of the ordinary for your project, getting started has never been easier. You have our commitment to make the process seamless and satisfying. Of all the tasks you and your team have to manage, searching for someone to develop the design solution you need shouldn't be one.

How can we be of assistance?



FR International offers rapid 3D prototyping to create physical samples for a touch-and-feel review.

FR International, LLC
1011 3rd Avenue S.W.
Carmel, Indiana USA 46032
Tel: (317) 663-0030
Fax: (317) 663-0029
Toll Free: 1-800-238-9711
www.FRInternational.com

