

Recessed Cup Pulls



RPQ Series Rectangular pulls with square corner interior openings

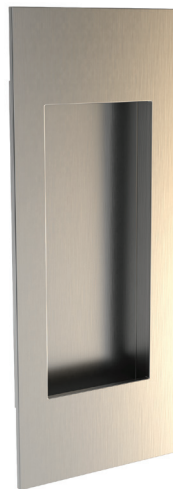


RPQ Series – Long

MODEL	SIZE
RPQ50203	1.97" (50mm) x 8" (203mm)
RPQ51178	2" (51mm) x 7" (178mm)
RPQ51254	2" (51mm) x 10" (254mm)
RPQ64203	2.5" (64mm) x 8" (203mm)
RPQ64254	2.5" (64mm) x 10" (254mm)
RPQ76254	3" (76mm) x 10" (254mm)

Available with
Concealed Fasteners (CF) or
Adhesive Installation (A)

Custom sizes available



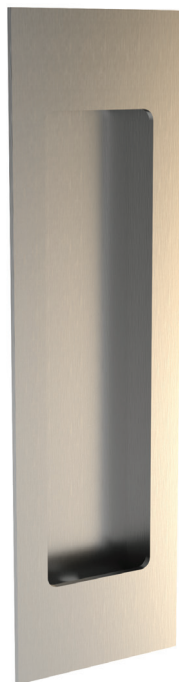
RPQ Series – Short

MODEL	SIZE
RPQ50120	1.97" (50mm) x 4.75" (120mm)
RPQ51114	2" (51mm) x 4.5" (114mm)
RPQ51130	2" (51mm) x 5.12" (130mm)
RPQ51152	2" (51mm) x 6" (152mm)

Available with
Concealed Fasteners (CF) or
Adhesive Installation (A)

Custom sizes available

RPR Series Rectangular pulls with round corner interior openings



RPR Series – Long

MODEL	SIZE
RPR55152	2.17" (55mm) x 6" (152mm)
RPR57178	2.25" (57mm) x 7" (178mm)
RPR55195	2.17" (55mm) x 7.68" (195mm)

Available with
Concealed Fasteners (CF) or
Adhesive Installation (A)

Custom sizes available



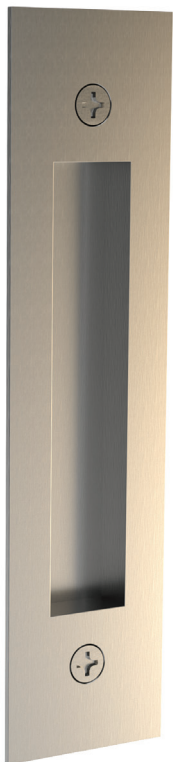
RPR Series – Short

MODEL	SIZE
RPR60114	2.36" (60mm) x 4.5" (114mm)
RPR70114	2.75" (70mm) x 4.5" (114mm)
RPR76114	3" (76mm) x 4.5" (114mm)

Available with
Concealed Fasteners (CF) or
Adhesive Installation (A)

Custom sizes available

RPE Series Pulls with exposed fasteners



RPE Series

MODEL	SIZE
RPE50260	1.97" (50mm) x 10.25" (260mm)
RPE54305	2.125" (54mm) x 12" (305mm)
RPE56280	2.21" (56mm) x 11" (280mm)
RPE51305	2" (51mm) x 12" (305mm)
RPE64178	2.5" (64mm) x 7" (178mm)
RPE64254	2.52" (64mm) x 10" (254mm)

Available with
Concealed Fasteners (CF) or
Adhesive Installation (A)

Custom sizes available

RPA Series Tall pulls with rounded ends



RPA Series – Short

MODEL	SIZE
RPA51127	2" (51mm) x 4.75" (127mm)
RPA51152	2" (51mm) x 6" (152mm)
RPA51178	2" (51mm) x 7" (178mm)

Available with
Concealed Fasteners (CF) or
Adhesive Installation (A)

Custom sizes available

RPO Series Rectangular pulls with offset interior openings



RPO Series – Long

MODEL	SIZE
RPO78300	3" (78mm) x 11.8" (300mm)
RPO78254	3" (78mm) x 10" (254mm)
RPO90305	3.5" (90mm) x 12" (305mm)

Available with
Concealed Fasteners (CF) or
Adhesive Installation (A)

Custom sizes available



RPO Series – Short

MODEL	SIZE
RPO4878	1.9" (48mm) x 3" (78mm)
RPO98114	3.86" (98mm) x 4.5" (114mm)
RPO7395	2.87" (73mm) x 3.75" (95mm)
RPO78152	3" (78mm) x 6" (152mm)
RPO83101	3.25" (83mm) x 4" (101mm)
RPO89127	3.5" (89mm) x 5" (127mm)

Available with
Concealed Fasteners (CF) or
Adhesive Installation (A)

Custom sizes available

RPS Series Special recessed pulls with curved lip



RPS Series with Lip

MODEL	SIZE
RPS51108	2" (51mm) x 4.25" (108mm)
RPS51152	2" (51mm) x 6" (152mm)
RPS64152	2.5" (64mm) x 6" (152mm)
RPS76152	3" (76mm) x 6" (152mm)

Only available with
Concealed Fasteners

Custom sizes available



RPS Series

MODEL	SIZE
RPS45150	1.75" (45mm) x 5.9" (150mm)

Only available with Exposed Fasteners

Custom sizes available

RPC Series Rectangular pulls with curved recessed cups

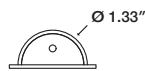


RPC Series

MODEL	SIZE
RPC38152	1.5" (38mm) x 6" (152mm)
RPC50120	1.97" (50mm) x 7" (178mm)
RPC50152	1.97" (50mm) x 7.68" (195mm)
RPC50178	1.97" (50mm) x 7.68" (195mm)
RPC50300	1.97" (50mm) x 11.8" (300mm)

Only available with
Concealed Fasteners

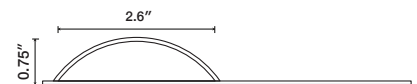
Custom sizes available



RPC Series Offset

MODEL	SIZE
RPC152178	6" (152mm) x 7" (178mm)

Only available with
Concealed Fasteners



Original Collection

RN-2

Only available in one size:
2.5" diameter

Available as single side,
adhesive install or BTB mount
with throughbolt

Specify as:

Single side RN-2
BTB RN-2 x BTB



SR-2

Only available in one size:
2.5" square

Available as single side,
adhesive install or BTB mount
with throughbolt

Specify as:

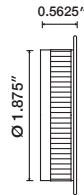
Single side SR-2
BTB SR-2 x BTB



RHM

Only available in one size:
2.375" diameter

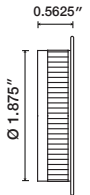
Available as Adhesive Install only



QHM

Only available in one size:
2.375" square

Available as Adhesive Install only



OV-3

4.75" (120 mm) x 1.375" (34 mm)

Exposed Fasteners Installation



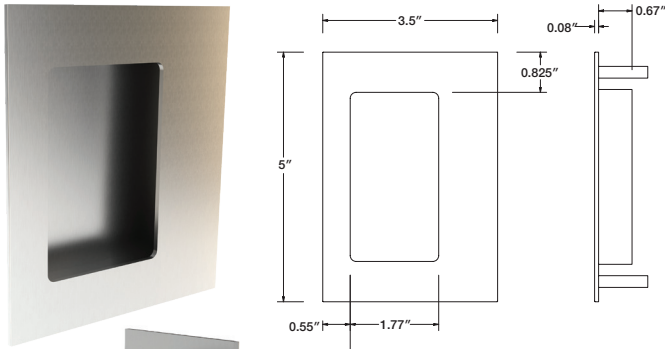
TD-3

4" (102 mm) x 2.75" (70 mm)

Available as Adhesive Install only

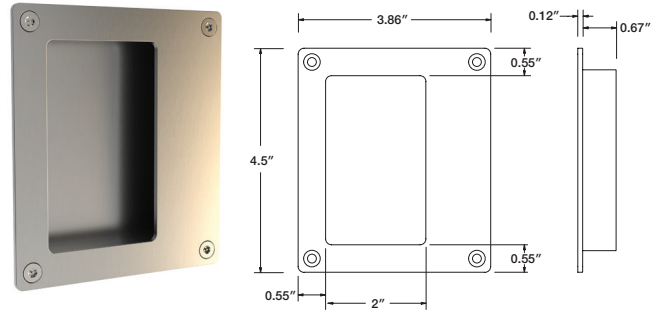


Specialty Recessed Cup Pulls



MODEL	SIZE
RPO89127-TB	3.5" (89mm) x 5" (127mm)

Single side only, for security through-bolt applications



MODEL	SIZE
RPO98114-E	3.86" (98mm) x 4.5" (114mm)

Available with Standard or Security Exposed Fasteners

Edge-mounted Recessed BTB Pulls



MODEL	SIZE
RPS136222	5.35" (136mm) X 8.75" (222mm)

Only available with Exposed Fasteners



MODEL	SIZE
RPS92222	3.62" (92mm) X 8.75" (222mm)

Only available with Exposed Fasteners

Recess Cup and Door Pull Combos

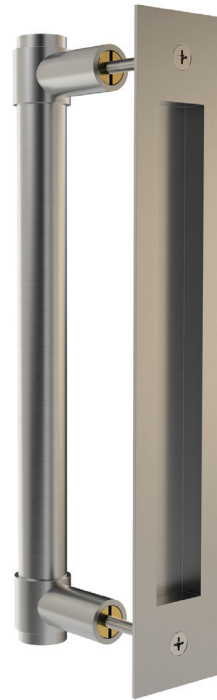


RPE54305 x DPA4005

Recessed Pull:
2.125" (54mm) x 12" (305mm)

DPA4005 standard pull:
12" (305mm) with CTC of 10" (254mm)

Additional pull sizes available;
consult factory

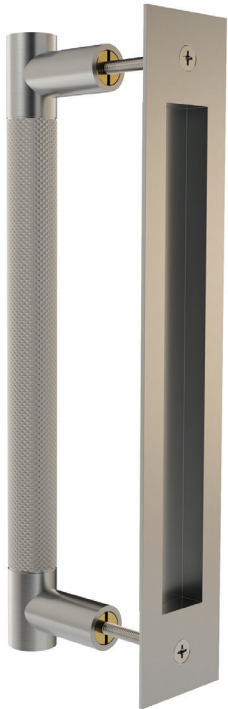


RPE54305 x DPA4120

Recessed Pull:
2.125" (54mm) x 12" (305mm)

DPA4005 standard pull:
13" (330mm) with CTC of 10" (254mm)

Additional pull sizes available;
consult factory

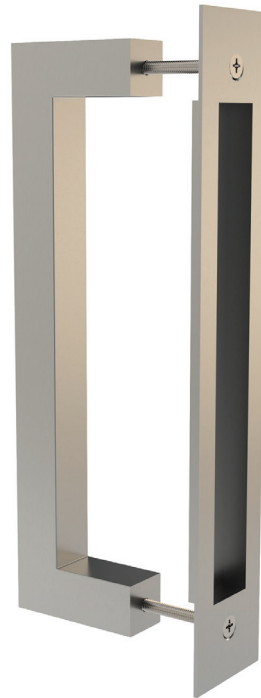


RPE54305 x DPA4313

Recessed Pull:
2.125" (54mm) x 12" (305mm)

DPA4313 standard pull:
12" (305mm) with CTC of 10" (254mm)

Additional pull sizes available;
consult factory



RPE54305 x DPB1000

Recessed Pull:
2.125" (54mm) x 12" (305mm)

DPB1000 standard pull:
12" (305mm) with CTC of 10" (254mm)

Responsive Creativity

Unlimited Possibilities

Your creativity can take shape in a variety of different forms, ranging from design modifications for our existing products, to all new designs for levers, roses, escutcheons, or pulls.

If you can imagine it, our talented design team can figure out how to engineer and produce it. We use 3D CAD technology to bring your ideas to life.



Deliver something remarkable without creative compromise?

If you're looking for something out of the ordinary for your project, getting started has never been easier. You have our commitment to make the process seamless and satisfying. Of all the tasks you and your team have to manage, searching for someone to develop the design solution you need shouldn't be one.

How can we be of assistance?



FR International offers rapid 3D prototyping to create physical samples for a touch-and-feel review.

FR International, LLC
 1011 3rd Avenue S.W.
 Carmel, Indiana USA 46032
 Tel: (317) 663-0030
 Fax: (317) 663-0029
 Toll Free: 1-800-238-9711
www.FRInternational.com

