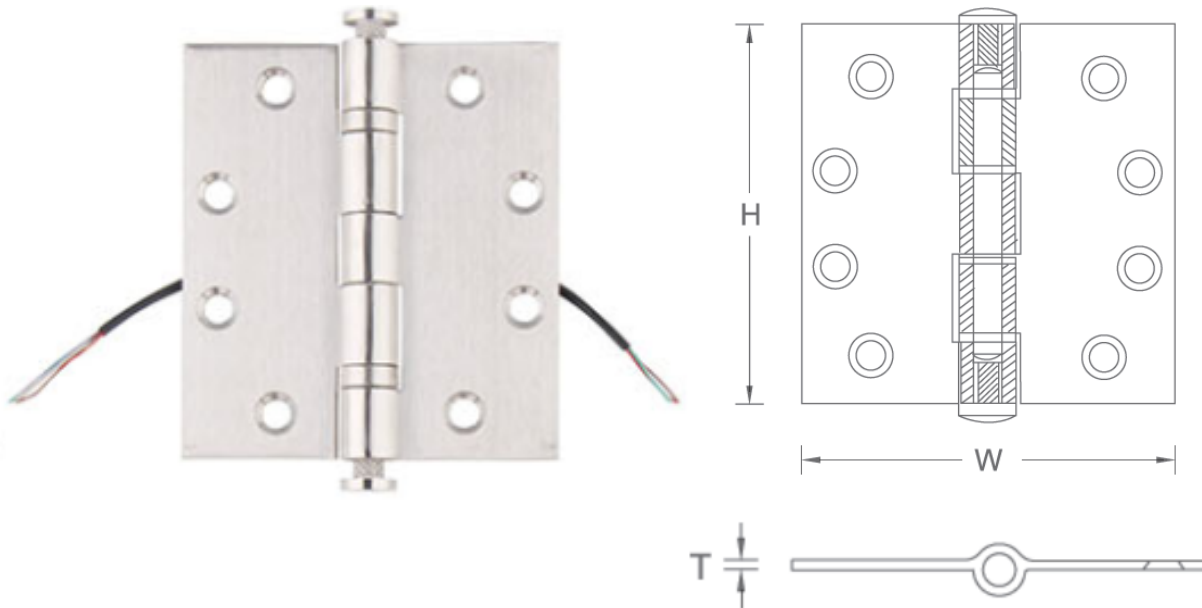


2BBH-ETW

Electric Hinge



Technical Details

Material:

Stainless Steel, 304 Grade

Technical Information:

Meets ANSI/BHMA A156.1
 For use on Wood or Hollow Metal Doors
 Minimum Door Thickness of 1-3/8"
 180° opening angle

Handing:

Non-handed

Additional Details:

Non-Rising, removable pin
 Five Knuckle, Ball Bearing, Standard Weight
 Full Mortise
 Standard 6 wires only, wires are 22ga

Finish Options

- 630 Satin Stainless Steel
- 629 Polished Stainless Steel
- 605 Polished Brass
- 606 Satin Brass
- 609 Antique Brass
- 619 Satin Nickel
- 622 Matte Black
- 695 Dark Bronze
- IXBSB Brushed Satin Black PVD
- IXCPN Satin Champagne PVD
- IXPCNP Polished Champagne PVD

Additional finishes may be available, please contact factory for options.

Available Sizes:

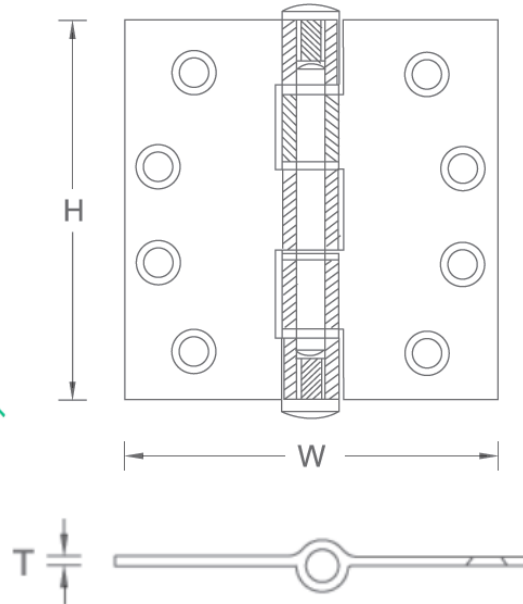
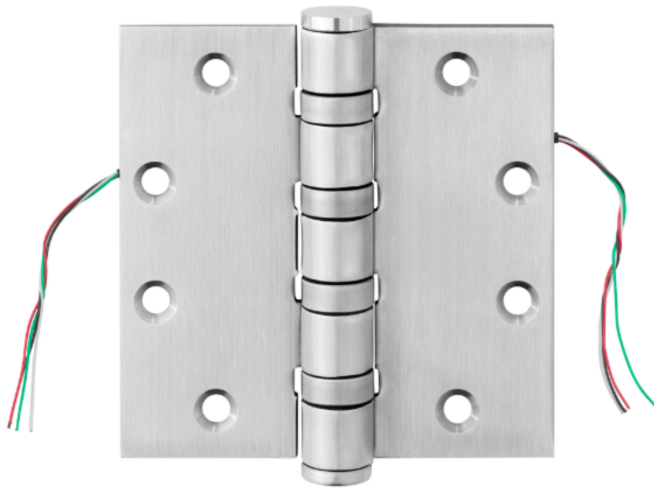
Model No.	Dims (H,W,T)
2BBH-ETW 4.5 x 4	4.5" x 4" x .134"
2BBH-ETW 4.5 x 4.5	4.5" x 4.5" x .134"
2BBH-ETW 5 x 4.5	5" x 4.5" x .145"

Ordering Example

2BBH-ETW 4.5 x 4.5 x 630

HD4BBH-ETW

Electric Hinge



Technical Details

Material:
Stainless Steel, 304 Grade

Technical Information:
Meets ANSI/BHMA A156.1
For use on Wood or Hollow Metal Doors
Minimum Door Thickness of 1-3/8"
180° opening angle

Handing:
Non-handed

Additional Details:
Non-Rising, removable pin
Five Knuckle, Ball Bearing, Heavy Weight
Full Mortise
Standard 6 wires only, wires are 22ga

Available Sizes:

Model No.	Dims (H, W, T)
HD4BBH-ETW 4.5 x 4.5	4.5" x 4.5" x .180"
HD4BBH-ETW 5 x 4.5	5" x 4.5" x .190"
HD4BBH-ETW 5 x 5	5" x 5" x .190"

Finish Options

- 630 Satin Stainless Steel
- 629 Polished Stainless Steel
- 605 Polished Brass
- 606 Satin Brass
- 609 Antique Brass
- 619 Satin Nickel
- 622 Matte Black
- 695 Dark Bronze
- IXBSB Brushed Satin Black PVD
- IXCPN Satin Champagne PVD
- IXPCNP Polished Champagne PVD

Additional finishes may be available, please contact factory for options.

Ordering Example

HD4BBH-ETW 4.5 x 4.5 x 630